

28mm Diameter, Single-Turn, Cermet Industrial Panel Controls



Features

- 28mm diameter, single-turn industrial panel controls
- Cermet film element
- Single and tandem units, single shaft
- Excellent environmental characteristics
- Linear taper
- Shaft lock available
- Metal shaft and bushing
- 6mm diameter shafts in slot, flat or round end styles
- Standard 15mm or 20mm shaft length
- Panel mount only
- Right angle ear-lug terminals
- Optional 6-turn GFV281 model available as special order

Specifications

Electrical

Standard Resistance Range 100Ω to 1MΩ
Resistance Tolerance ±10% standard
End Resistance 3Ω max.
Resistance Taper B = linear
Peak Noise (C.R.V.) 3% or 5Ω, whichever is greater
Power Rating 2 watts at +70°C, 0 watt at +120°C
Maximum Input Voltage 400VDC or power rating, whichever is smaller
Temperature Coefficient . . . ±100ppm/°C, 200Ω to 500kΩ ±250ppm/°C, other values
Dielectric Strength 1,000VAC, 1 minute

Mechanical

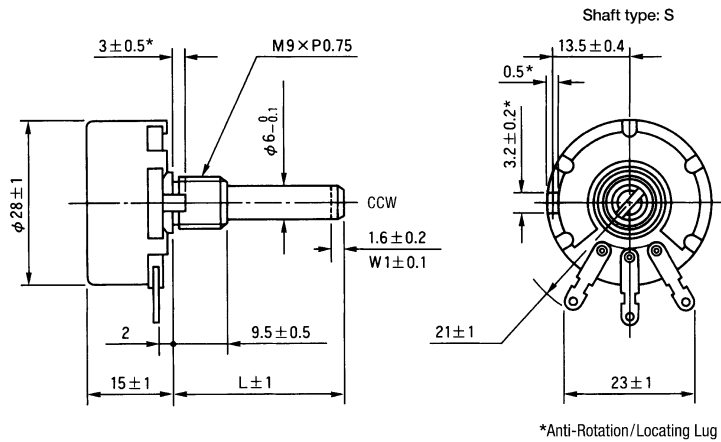
Mechanical Travel 295° ±10°
Shaft Torque
 Single Unit 50 to 300 gf•cm (0.693 to 4.159 oz•in)
 Tandem Unit 50 to 450 gf•cm (0.693 to 6.238 oz•in)
Stop Strength 9.2 kgf•cm (127.54 oz•in) max.
Mounting Nut Torque 15 kgf•cm (207.94 oz•in) max.
Solderability 235°C, 5 seconds
Marking Model type, taper, resistance, shaft type, terminal identification, date code

Environmental

Temperature Range -10°C to +120°C
Low Temperature Operation -10°C, 45 minutes with rated load
 $\Delta T/R \leq \pm 3\%$
Load Life +70°C, 1,000 hours with rated load
 $\Delta T/R \leq \pm 5\%$
Vibration 10-55Hz, 1.5mm amplitude, 3 directions, 2 hours each
 $\Delta T/R \leq \pm 1\%$
Soldering Heat Resistance 350°C, 3 seconds
 $\Delta T/R \leq \pm 2\%$
Rotational Life 15,000 cycles (500 cycles for shaft lock models only) without load
 $\Delta T/R \leq \pm 10\%$

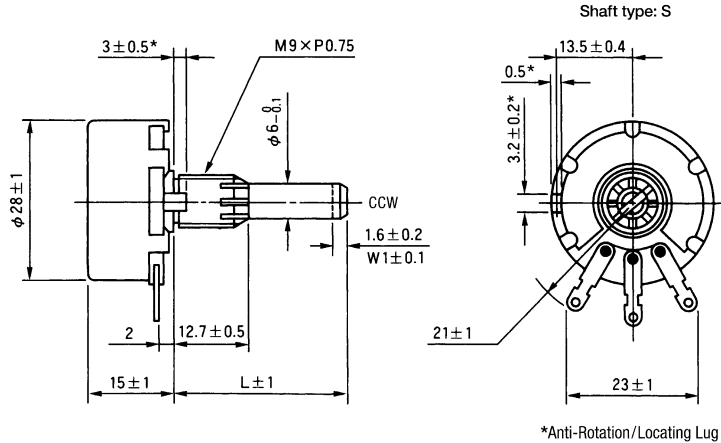
$\Delta T/R$ = Total Resistance Change

GF281 Single-Turn & GFV281 6-Turn (special order)
Panel Mount, Single Unit, Single Shaft
Right Angle Ear-Lug Terminals



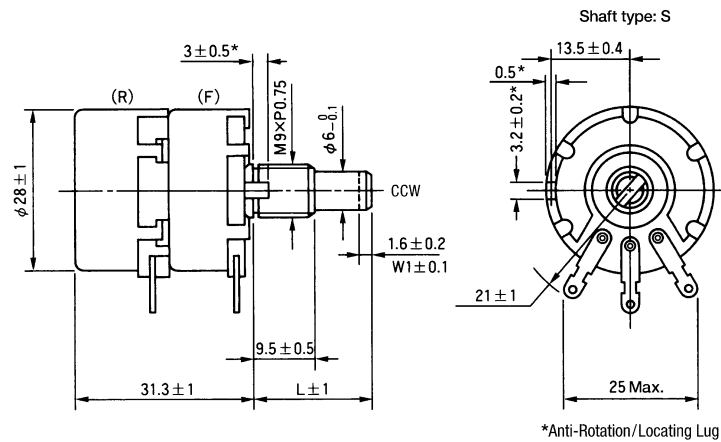
*Anti-Rotation/Locating Lug

GF281L
Panel Mount, Single Unit, Single Shaft with Shaft Lock
Right Angle Ear-Lug Terminals



*Anti-Rotation/Locating Lug

GF281G
Panel Mount, Ganged Tandem Unit, Single Shaft
Right Angle Ear-Lug Terminals on Each Unit



*Anti-Rotation/Locating Lug

GF 281 G L 15 S B 103 K

NOTE: FMS = From Mounting Surface

➔ **Resistance Tolerance: K** = ±10% (standard).

➔ **Resistance Code:** Expressed in ohms. A three digit code where the first two digits are significant figures, and the third digit indicates the number of zeros that follow these figures (i.e., 100 = 10Ω; 101 = 100Ω; 102 = 1,000Ω; 103 = 10,000Ω; 105 = 1,000,000Ω). See table for standard resistance values.

➔ **For Single Unit:**
Specify taper and resistance code as shown.

➔ **For Ganged Tandem Unit:**
Specify a taper code and resistance code for each unit starting with the front unit followed by the rear unit. If both units have the same taper and resistance codes, add "X2" suffix per example below.
Examples: **B103A503** or if both units are the same: **B103X2**

➔ **Resistance Taper: B** = Linear.

➔ **Shaft End Style: S** = Slotted.
F = Flatted.
R = Round.

➔ **Standard Shaft Length: 15** = 15mm FMS.
20 = 20mm FMS.
Up to 50mm shaft length available (special order).

➔ **Shaft Lock: L** = With Shaft Lock.
Blank = Without Shaft Lock.

➔ **Style: Blank** = Panel Mount, Single Unit, Single Shaft, Right Angle Ear-Lug Terminals.
G = Panel Mount, Ganged Tandem Unit, Single Shaft, Right Angle Ear-Lug Terminals on Each Unit.

➔ **Size: 281** = 28mm Diameter.

➔ **TOCOS Series Name: GF** = Cermet Film Element.

Standard Resistance Values and Part Numbering Codes

Standard Nominal Total Resistance Values and Part Numbering Codes

| Resistance (Ω) | Code | Resistance (Ω) | Code | Resistance (Ω) | Code | Resistance (Ω) | Code | Resistance (Ω) | Code |
|----------------|------|----------------|------|----------------|------|----------------|------|----------------|------|
| 100 | 101 | 1,000 | 102 | 10,000 | 103 | 100,000 | 104 | 1,000,000 | 105 |
| 200 | 201 | 2,000 | 202 | 20,000 | 203 | 200,000 | 204 | | |
| 500 | 501 | 5,000 | 502 | 50,000 | 503 | 500,000 | 504 | | |

Refer to Shaft End Styles Specifications and Hardware Specifications for details and availability.
For additional information, refer to Guidelines and Precautions for Using Panel Controls.