

**PLEASE CHECK WWW.MOLEX.COM FOR LATEST PART INFORMATION**

**Part Number:** [0916190001](#)  
**Status:** **Active**  
**Overview:** [lanelink](#)  
**Description:** LaneLink™ Standoff, M2-by-0.45mm Internal Thread

**Documents:**

[3D Model](#) [RoHS Certificate of Compliance \(PDF\)](#)  
[Drawing \(PDF\)](#)

**General**

Product Family	Accessories
Series	<a href="#">91619</a>
Comments	Recommended torque 0.3Nm max
Component Type	Screw
Overview	<a href="#">lanelink</a>
Product Name	LaneLink™

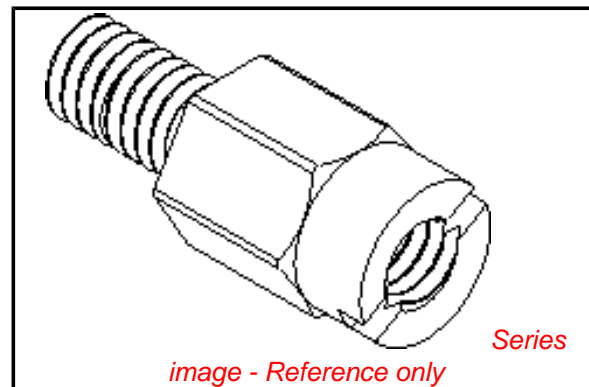
**Physical**

Circuits (Loaded)	N/A
Lock to Mating Part	Yes
Packaging Type	Bag

**Material Info**

**Reference - Drawing Numbers**

Sales Drawing	SD-91619-001
---------------	--------------



**EU RoHS**

**RoHS Compliant by Exemption**

**REACH SVHC**

Not Reviewed

**Halogen-Free**

**Status**

**Not Reviewed**

**China RoHS**



Pb

**Need more information on product environmental compliance?**

Email [productcompliance@molex.com](mailto:productcompliance@molex.com)  
 For a multiple part number RoHS Certificate of Compliance, [click here](#)

Please visit the [Contact Us](#) section for any non-product compliance questions.

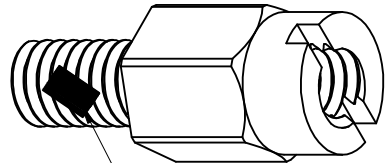
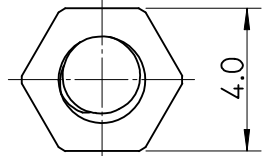
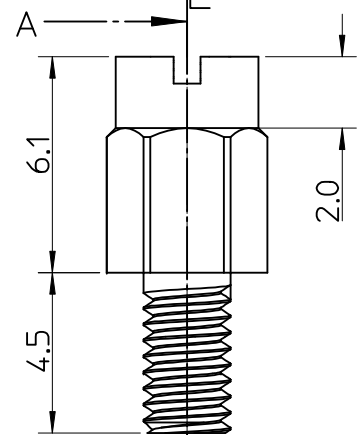
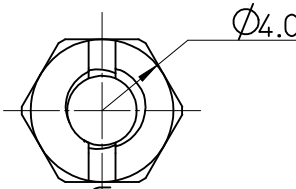
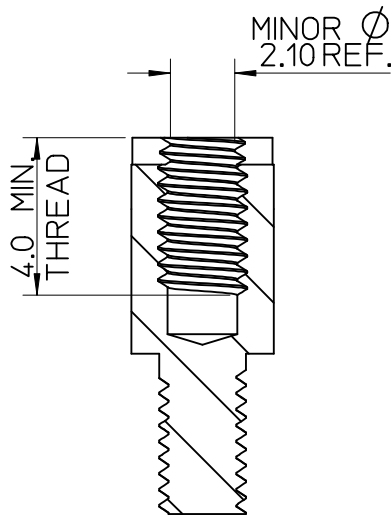
**Search Parts in this Series**

[91619Series](#)

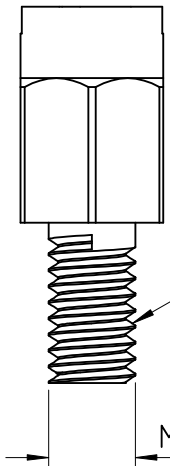
**Use With**

[91629](#)

7 6 5 4 3 2 1



"Nylok" TORQUE PATCH OR EQUIVALENT - SEE NOTE 6



- NOTES: A-A
1. MATERIAL: COPPER ALLOY
  2. PLATING: NICKEL ALLOVER
  3. MIN ORDER QUANTITY (MOQ): 1000
  4. TWO PARTS REQUIRED FOR MOLEX 91629- AND 91803- SERIES.
  5. PARTS WILL BE SHIPPED IN BAGS.
  6. NYLOK PATCH IS OPTIONAL

PART NUMBER	NYLOK TORQUE PATCH APPLIED
91619-0001	YES
91619-0002	NO - CUSTOMER TO APPLY OWN THREAD LOCK BEFORE USE

ADD PART NUMBER EC NO: E2009-0198 DRWN: BMAGUIRE 2008/11/03 CHKD: 2008/11/03 APPR: BMAGUIRE 2008/11/03	QUALITY SYMBOLS ▽=0 ◻=0	GENERAL TOLERANCES (UNLESS SPECIFIED)		DIMENSION STYLE MM ONLY		SCALE 5:1	DESIGN UNITS METRIC	THIRD ANGLE PROJECTION	
		4 PLACES	± ---	± ---	DRAWN BY DMCN	DATE 10/01/03	LANELINK F CONN STDF  MOLEX INCORPORATED DOCUMENT NO. SD-91619-001 SHEET NO. 1 OF 1		
		3 PLACES	± ---	± ---	CHECKED BY JWALLACE	DATE 10/01/03			
		2 PLACES	± 0.10	± ---	APPROVED BY MWILHITE	DATE 10/01/03			
1 PLACE	± 0.2	± ---	MATERIAL NO. SEE TABLE						
DRAFT WHERE APPLICABLE MUST REMAIN WITHIN DIMENSIONS		ANGULAR ± 2 °		SIZE A 4		THIS DRAWING CONTAINS INFORMATION THAT IS PROPRIETARY TO MOLEX INCORPORATED AND SHOULD NOT BE USED WITHOUT WRITTEN PERMISSION			

6 5 4 3 2 1