

**PLEASE CHECK WWW.MOLEX.COM FOR LATEST PART INFORMATION**

**Part Number:** [0955012882](#)  
**Status:** **Active**  
**Overview:** [modular\\_plugs\\_jacks](#)  
**Description:** Modular Jacks, Low Profile, Trough Hole, 8 Positions, 8 loaded, Keyed

**Documents:**

[3D Model](#) [Product Specification PS-95501 \(PDF\)](#)  
[Drawing \(PDF\)](#) [RoHS Certificate of Compliance \(PDF\)](#)  
[Application Specification \(PDF\)](#)

**Agency Certification**

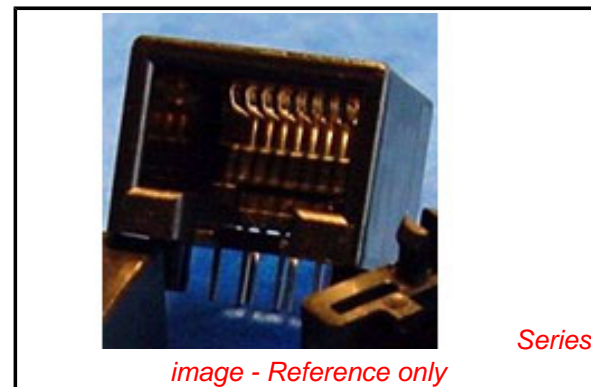
UL E107635

**General**

Product Family Modular Jacks/Plugs  
 Series [95501](#)  
 Component Type PCB Jack  
 Magnetic No  
 Overview [modular\\_plugs\\_jacks](#)  
 Performance Category 3  
 Power over Ethernet (PoE) N/A  
 Product Name RJ45

**Physical**

Boot Color N/A  
 Color - Resin Black  
 Durability (mating cycles max) 500  
 Flammability 94V-0  
 Inverted / Top Latch No  
 Keying to Mating Part Yes  
 Lightpipes/LEDs None  
 Material - Metal Phosphor Bronze  
 Material - Plating Mating Gold  
 Material - Plating Termination Tin  
 Material - Resin High Temperature Thermoplastic  
 Orientation Right Angle (Side Entry)  
 PCB Locator Yes  
 PCB Retention Yes  
 PCB Thickness Recommended (in) 0.063 In  
 PCB Thickness Recommended (mm) 1.60 mm  
 Packaging Type Tray  
 Pitch - Mating Interface (in) 0.040 In  
 Pitch - Mating Interface (mm) 1.02 mm  
 Pitch - Term. Interface (in) 0.050 In  
 Pitch - Term. Interface (mm) 1.27 mm  
 Plating min: Mating (µin) 50.8  
 Plating min: Mating (µm) 1.27  
 Plating min: Termination (µin) 76  
 Plating min: Termination (µm) 1.9  
 Ports 1  
 Positions / Loaded Contacts 8/8  
 Surface Mount Compatible (SMC) Yes  
 Temperature Range - Operating -40°C to +80°C  
 Termination Interface: Style Through Hole  
 Waterproof / Dustproof No  
 Wire/Cable Type N/A



*image - Reference only*

**EU RoHS**

**ELV and RoHS  
 Compliant  
 REACH SVHC  
 Contains SVHC: No  
 Halogen-Free  
 Status**

**China RoHS**



**Need more information on product  
 environmental compliance?**

Email [productcompliance@molex.com](mailto:productcompliance@molex.com)  
 For a multiple part number RoHS Certificate of  
 Compliance, [click here](#)

Please visit the [Contact Us](#) section for any  
 non-product compliance questions.

**Search Parts in this Series**

[95501Series](#)

**Mates With**

FCC 68 Plugs

**Use With**

90075

**Electrical**

Current - Maximum per Contact	1.5A
Shielded	No
Voltage - Maximum	125V DC

**Solder Process Data**

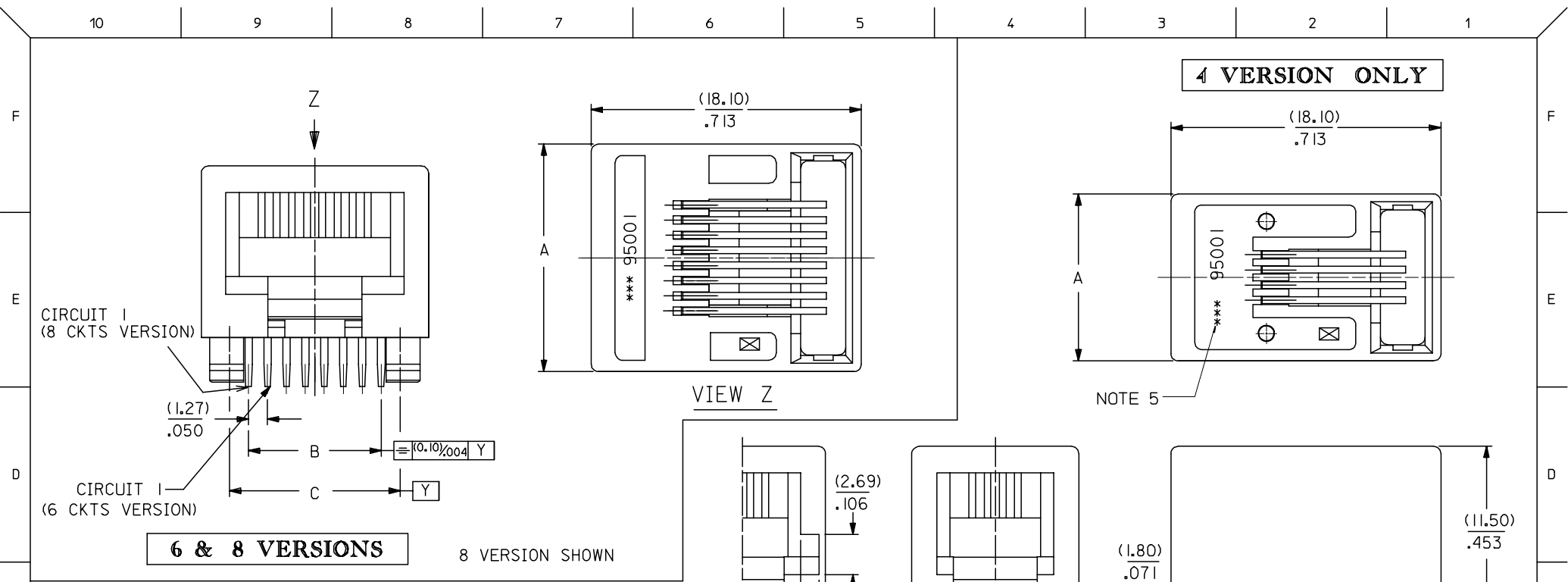
Duration at Max. Process Temperature (seconds)	45
Lead-free Process Capability	Wave Capable (TH only)
Max. Cycles at Max. Process Temperature	1
Process Temperature max. C	260

**Material Info****Reference - Drawing Numbers**

Packaging Specification	PK-95001
Product Specification	PS-95501
Sales Drawing	SD-95501-001

This document was generated on 06/07/2010

**PLEASE CHECK [WWW.MOLEX.COM](http://WWW.MOLEX.COM) FOR LATEST PART INFORMATION**



**NOTES :**

- 1- MATERIAL:**  
 -HOUSING: LCP GLASS FILLED UL 94V-0, COLOUR BLACK.  
 -TERMINAL: PHOSPHOR BRONZE .  
**PLATING 2:**  
 POST PLATE (0.00127)/.000050 MIN GOLD IN CONTACT AREA  
 (0.00190)/.000075 MIN PURE TIN IN TAIL AREA  
 BOTH OVER (0.00127)/.000050 MIN NICKEL OVERALL.  
**2- JACK FOR MATING WITH F.C.C. 68 PLUGS 90075 MOLEX SERIES.**  
**3- PRODUCT SPECIFICATION PS-9550I.**  
**4- PACKAGING SPECIFICATION PK-9500I: STANDARD PACKAGING SHEET 1. SPECIAL PACKAGING SHEET 2. TUBE PACKAGING SHEET 3.**  
**5- MANUFACTURING I.D. CAN BE EITHER MXF, MG OR MXI.**  
**6- RECOMMENDED PCB THICKNESS: 1.6mm**

DIM.	TYPE	POS. 4		POS. 6		POS. 8	
		4 CKTS.	4 CKTS.	6 CKTS.	8 CKTS.	8 CKTS.	8 CKTS.
A		(11.18) / .440	(13.21) / .520	(13.21) / .520	(15.24) / .600		
C		(7.62) / .300	(10.16) / .400	(10.16) / .400	(11.43) / .450		
B		(3.81) / .150	(3.81) / .150	(6.35) / .250	(8.89) / .350		

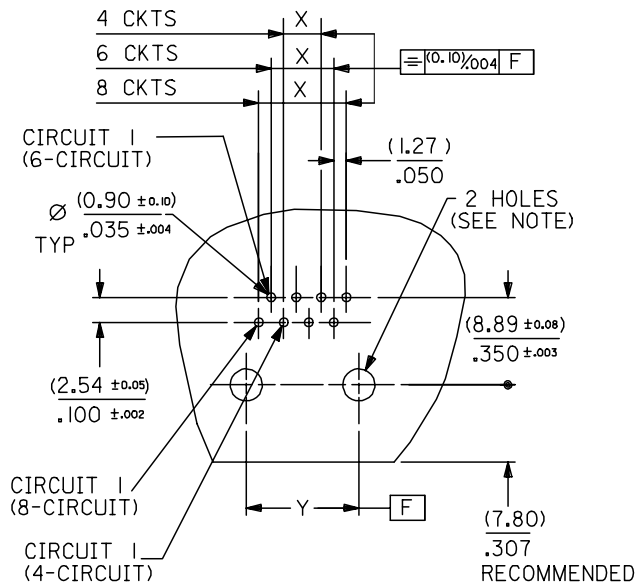
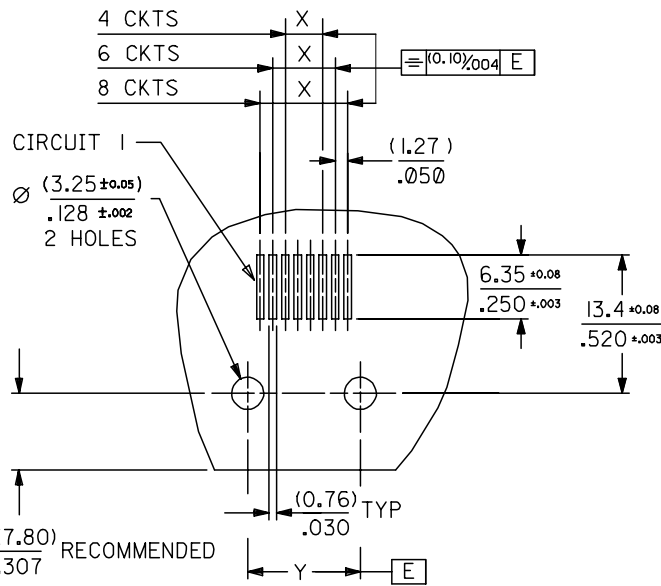
<b>MODIFIED NOTES.</b> EC NO: E2008-076 DRWN:DBYRNES CHKD: APPR:EOMAHONY 2007/10/05 2007/10/05 2007/10/05	QUALITY SYMBOLS ▽=0 ◁=0	GENERAL TOLERANCES (UNLESS SPECIFIED) <table border="1"> <tr> <th></th> <th>mm</th> <th>INCH</th> </tr> <tr> <td>4 PLACES</td> <td>±---</td> <td>±---</td> </tr> <tr> <td>3 PLACES</td> <td>±---</td> <td>±.006</td> </tr> <tr> <td>2 PLACES</td> <td>±0.15</td> <td>±.010</td> </tr> <tr> <td>1 PLACE</td> <td>±0.25</td> <td>±---</td> </tr> <tr> <td colspan="3">ANGULAR ±---°</td> </tr> </table>		mm	INCH	4 PLACES	±---	±---	3 PLACES	±---	±.006	2 PLACES	±0.15	±.010	1 PLACE	±0.25	±---	ANGULAR ±---°			DIMENSION STYLE MM/IN DRAWN BY DATE DBYRNES 2006/08/02 CHECKED BY DATE EOMAHONY 2006/08/12 APPROVED BY DATE EOMAHONY 2006/08/12	SCALE 4:1 DESIGN UNITS METRIC THIRD ANGLE PROJECTION	TITLE <b>R/A LOW PROFILE PC JACK 4,6,8 CKTS SIZE THROUGH HOLE VERSION</b> <b>MOLEX INCORPORATED</b>
		mm	INCH																				
	4 PLACES	±---	±---																				
	3 PLACES	±---	±.006																				
2 PLACES	±0.15	±.010																					
1 PLACE	±0.25	±---																					
ANGULAR ±---°																							
DRAFT WHERE APPLICABLE MUST REMAIN WITHIN DIMENSIONS	MATERIAL NO. SEE CHART SHEETS 4.56&8	DOCUMENT NO. <b>SD-95501-001</b>	SHEET NO. <b>1 OF 5</b>																				
THIS DRAWING CONTAINS INFORMATION THAT IS PROPRIETARY TO MOLEX INCORPORATED AND SHOULD NOT BE USED WITHOUT WRITTEN PERMISSION																							

TYPE \ DIM.	POS. 4	POS. 6		POS. 8
	4 CKTS.	4 CKTS.	6 CKTS.	8 CKTS.
Y $\pm 0.05 / \pm 0.02$	(7.62) / .300	(10.16) / .400	(10.16) / .400	(11.43) / .450
X $\pm 0.05 / +0.02$	(3.81) / .150	(3.81) / .150	(6.35) / .250	(8.89) / .350

P.C.B. MOUNTING PATTERNS - SEE FROM COMPONENT SIDE

FOR SMT JACK TYPE (SURFACE MOUNT)

FOR STANDARD JACK TYPE (THROUGH HOLE)



NOTE:  
 FOR CONVECTION SOLDERING: DIA 3.25±0.05 / .128±.002  
 FOR WAVE SOLDERING: DIA 3.20±0.10 / .126±.004

REV	DESCRIPTION
B	MODIFIED TABLE
	EC NO: E2008-0176
	DRWN:DBYRNES 2007/10/05
	CHKD: 2007/10/05
	APPR:EOMAHONY 2007/10/05

QUALITY SYMBOLS
▽=0
∇=0

GENERAL TOLERANCES (UNLESS SPECIFIED)	
mm	INCH
4 PLACES ± ---	± ---
3 PLACES ± ---	± .006
2 PLACES ± 0.15	± .010
1 PLACE ± 0.25	± ---
ANGULAR ± ---°	
DRAFT WHERE APPLICABLE MUST REMAIN WITHIN DIMENSIONS	

DIMENSION STYLE	
MM/IN	
DRAWN BY	DATE
DBYRNES	2006/08/02
CHECKED BY	DATE
EOMAHONY	2006/08/12
APPROVED BY	DATE
EOMAHONY	2006/08/12
MATERIAL NO.	
SEE CHART SHEETS 4,5&6	

SCALE	DESIGN UNITS	THIRD ANGLE PROJECTION
2:1	METRIC	☉ □
TITLE		
R/A LOW PROFILE JACK PC JACK 4,6,8 CKT SIZE SMT AND STANDARD VERSION		
MOLEX INCORPORATED		
DOCUMENT NO.	SHEET NO.	
SD-95501-001	3 OF 5	
THIS DRAWING CONTAINS INFORMATION THAT IS PROPRIETARY TO MOLEX INCORPORATED AND SHOULD NOT BE USED WITHOUT WRITTEN PERMISSION		

STANDARD PACKAGING OPEN TRAY ,SEE PACKAGING SPEC PK95001 SHEET 1

PART NO FOR JACK ASSEMBLY  
THROUGH HOLE VERSION

HOUSING SIZE	LOADED CONTACTS	PLATING	LCP GLASS FILED 94V0,COLOR BLACK.						
			NO KEY		KEY				
			NOT RIBBED	TOOLED	NOT RIBBED	TOOLED	TOOLED	TOOLED	
4	4	2	95501-2441	X					
6	4	2	95501-2641	X					
6	6	2	95501-2661	X					
8	8	2	95501-2881	X	95501-2882	X			

ORIGINAL EC NO: E2007-0117 DRWN:DBYRNES 2006/10/11 CHKD: 2006/10/11 APPR:EOMAHONY 2006/10/12	QUALITY SYMBOLS	GENERAL TOLERANCES (UNLESS SPECIFIED)	DIMENSION STYLE	SCALE	DESIGN UNITS	THIRD ANGLE PROJECTION
	▽=0 ∇=0	mm    INCH 4 PLACES ± --- ± --- 3 PLACES ± --- ± --- 2 PLACES ± --- ± --- 1 PLACE ± --- ± --- ANGULAR ± ---°	MM ONLY	---	METRIC	
	DESCRIPTION	DRAFT WHERE APPLICABLE MUST REMAIN WITHIN DIMENSIONS	DRAWN BY    DATE DBYRNES    2006/08/02 CHECKED BY    DATE EOMAHONY    2006/08/12 APPROVED BY    DATE EOMAHONY    2006/08/12	TITLE	LOW PROFILE R/A JACK STANDARD T/HOLE VERSION STANDARD OPEN TRAY VERS	
	REV	SIZE	SEE CHART	MATERIAL NO. DOCUMENT NO. SD-95501-001	MOLEX INCORPORATED SHEET NO. 4 OF 5	