

CZT7090L

**SURFACE MOUNT
LOW $V_{CE(SAT)}$ PNP
SILICON POWER TRANSISTOR**

**POWER
223™**



SOT-223 CASE

Central™
Semiconductor Corp.

www.centrasemi.com

DESCRIPTION:

The CENTRAL SEMICONDUCTOR CZT7090L is a Low $V_{CE(SAT)}$ PNP Transistor in a space saving Power SOT-223 surface mount package, designed for DC-DC converters for mobile systems and LAN cards, motor control, power management and strobe flash units.

MARKING: FULL PART NUMBER

MAXIMUM RATINGS: ($T_A=25^\circ\text{C}$)

Collector-Base Voltage
Collector-Emitter Voltage
Emitter-Base Voltage
Continuous Collector Current
Peak Collector Current
Power Dissipation
Operating and Storage Junction Temperature
Thermal Resistance

SYMBOL

V_{CBO} 50
 V_{CEO} 40
 V_{EBO} 5.0
 I_C 3.0
 I_{CM} 6.0
 P_D 2.0
 T_J, T_{stg} -65 to +150
 θ_{JA} 62.5

UNITS

V
V
V
A
A
W
 $^\circ\text{C}$
 $^\circ\text{C/W}$

ELECTRICAL CHARACTERISTICS: ($T_A=25^\circ\text{C}$ unless otherwise noted)

SYMBOL	TEST CONDITIONS	MIN	TYP	MAX	UNITS
I_{CBO}	$V_{CB}=30\text{V}$			100	nA
I_{CBO}	$V_{CB}=30\text{V}, T_A=100^\circ\text{C}$			10	μA
I_{EBO}	$V_{EB}=4.0\text{V}$			100	nA
BV_{CBO}	$I_C=100\mu\text{A}$	50			V
BV_{CEO}	$I_C=10\text{mA}$	40			V
BV_{EBO}	$I_E=100\mu\text{A}$	5.0			V
$V_{CE(SAT)}$	$I_C=500\text{mA}, I_B=5.0\text{mA}$		100	250	mV
$V_{CE(SAT)}$	$I_C=1.0\text{A}, I_B=10\text{mA}$		175	450	mV
$V_{CE(SAT)}$	$I_C=2.0\text{A}, I_B=50\text{mA}$		250	750	mV
$V_{BE(SAT)}$	$I_C=1.0\text{A}, I_B=10\text{mA}$		0.8	1.0	V
h_{FE}	$V_{CE}=2.0\text{V}, I_C=10\text{mA}$	200		800	
h_{FE}	$V_{CE}=2.0\text{V}, I_C=500\text{mA}$	200			
h_{FE}	$V_{CE}=2.0\text{V}, I_C=1.0\text{A}$	180			
h_{FE}	$V_{CE}=2.0\text{V}, I_C=2.0\text{A}$	125			
f_T	$V_{CE}=5.0\text{V}, I_C=50\text{mA}, f=50\text{MHz}$	100			MHz

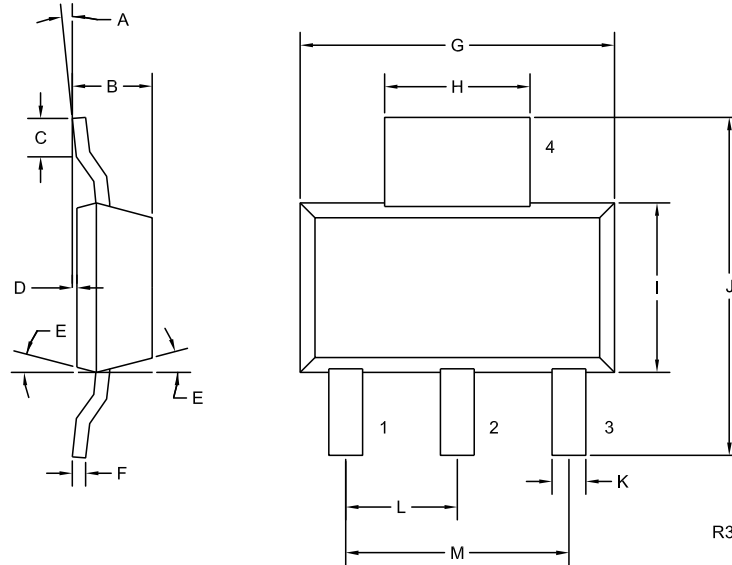
R4 (1-March 2010)

CZT7090L

SURFACE MOUNT
LOW VCE(SAT) PNP
SILICON POWER TRANSISTOR



SOT-223 CASE - MECHANICAL OUTLINE



LEAD CODE:

- 1) Base
- 2) Collector
- 3) Emitter
- 4) Collector

MARKING:
FULL PART NUMBER

SYMBOL	INCHES		MILLIMETERS	
	MIN	MAX	MIN	MAX
A	0°	10°	0°	10°
B	0.059	0.071	1.50	1.80
C	0.018	--	0.45	--
D	0.000	0.004	0.00	0.10
E	15°		15°	
F	0.009	0.014	0.23	0.35
G	0.248	0.264	6.30	6.70
H	0.114	0.122	2.90	3.10
I	0.130	0.146	3.30	3.70
J	0.264	0.287	6.70	7.30
K	0.024	0.033	0.60	0.85
L	0.091		2.30	
M	0.181		4.60	

SOT-223 (REV: R3)

R4 (1-March 2010)