



D*BM Series compliant with ESA/ESCC 3401/080 specification Connectors Savers, Electrical, Rectangular, Non-Removable Signal Contacts, and Removable Coaxial and Power Contact For D*Subminiature

Features/Benefits

- Compliant with ESA/ESCC specification
- Savers combo connectors
- Removable Coaxial contacts
- Removable Power contacts
- Non removable signal contacts
- Combination arrangements

Typical Applications

- Space equipments
- Test equipments applications
- Avionics / Military
- Industrials applications



SECTION 1 : ESA / ESCC 3401-080 Connectors without Power or Coaxial Contacts.

SECTION 2 : ESA / ESCC 3401-080 Connectors with Power or Coaxial Contacts.

SECTION 3 : FR022 Connectors without Power or Coaxial Contacts.

SECTION 4 : FR022 Connectors with Power or Coaxial Contacts.

Specification :

Compliant with ESA/ESCC specifications 3401/080.

Can be delivered with power or coaxial size 8 contacts installed.

Compatible with D*M ESCC 3401/001, D*MA ESCC 3401/002, and Accessories 3401/022.

Combinations arrangements available.

SIZE AVAILABLE : 9 , 15 , 25 , 37 , 50 for standard arrangements.

5W1, 3WK3, 3W3, 7W2, 11W1, 5W5, 9W4, 13W3, 17W2, 21W1, 8W8, 13W6, 17W5, 21WA4, 25W3, 27W2, 24W7, 36W4, 43W2, 47W1 for combination arrangements.

Star-clip male/female contact technology for signal contacts.

- (1) Force with signal contacts only, cavities sizes 8 are empty.
- (2) Force with signal contacts and coaxial contacts equipped.
- (3) Force with signal contacts and power contacts equipped.
- (4) Weights without coaxial or power contacts: Added 1,7g per coaxial contacts or 2,15g per power contacts (if applicable)

Retention force in insert	N max
Signal contact	40
Power or Coaxial contact	40,86

Mechanical Characteristics :

Type	Mating force (N max)			Weight (g max) (4)
	(1)	(2)	(3)	
Size E- 9	30	-	-	11,2
Size E- 5W1	13,3	23,5	20,2	9,9
Size A- 15	50	-	-	16,2
Size A- 3WK3/3W3	-	30,6	20,7	12,4
Size A- 7W2	16,6	37	30,4	13,7
Size A- 11W1	33,2	43,4	40,1	14,9
Size B- 25	83	-	-	21
Size B- 5W5	-	51	34,5	14,7
Size B- 9W4	16,6	57,4	44,2	16
Size B- 13W3	33,2	63,8	53,9	17,2
Size B- 17W2	49,8	70,2	63,6	18,5
Size B- 21W1	66,4	76,6	73,3	19,7
Size C- 37	123	-	-	27,8
Size C- 8W8	-	81,6	55,2	18,5
Size C- 13W6	23,2	84,4	64,6	20,3
Size C- 17W5	39,8	90,8	74,3	21,5
Size C- 21WA4	56,4	97,2	84	22,8
Size C- 25W3	73	103,6	93,7	24
Size C- 27W3	79,7	110,3	100,4	24,5
Size D- 50	166	-	-	32,5
Size D- 24W7	56,4	127,8	104,7	24,3
Size D- 36W4	106,2	147	133,8	28
Size D- 43W2	136,1	156,5	149,9	30,3
Size D- 47W1	152,7	162,9	159,6	31,5

Electrical Characteristics :

Working Voltage for signal contacts (Sea level):	300 Vrms
Working Voltage for coaxial or power contacts (Sea level):	250 Vrms
Rated Current for signal contacts and coaxial centre contacts	7,5 A
Rated Current for power contacts	40 A

Temperature Range :

Operating Temperature range	-55 to +125 °C
Storage Temperature Range	-65 to +125 °C

Quality Level :

- ESA / ESCC : code 3401-080 (Flying model)
- Standard space : code FR022 (Engineering Model)

Packaging :

■■■ Individual packaging and traceability associated as per ESA/ESCC specifications

■■■ Each D*BM connector is sold in individual plastic bag





D*BM Series compliant with ESA/ESCC 3401/080 specification Connectors Savers, Electrical, Rectangular, Non-Removable Signal Contacts, and Removable Coaxial and Power Contact For D*Subminiature

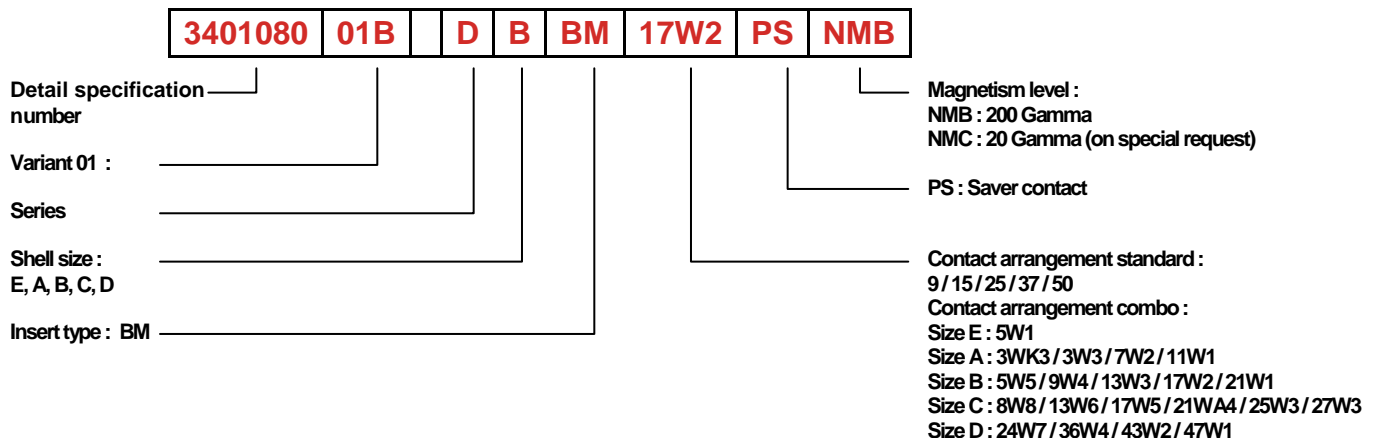
SECTION 1 : ESA / ESCC 3401-080 WITHOUT POWER OR COAXIAL CONTACTS

Connectors defined in 3401-080 Specification are delivered without Coaxial or Power contacts. The Power or Coaxial contacts shall be ordered separately. Power and Coaxial contacts have to come from the same manufacturer as the connector. This should be checked prior to assembly. However, Connectors can be ordered with power or coaxial contacts installed (See Section 2)

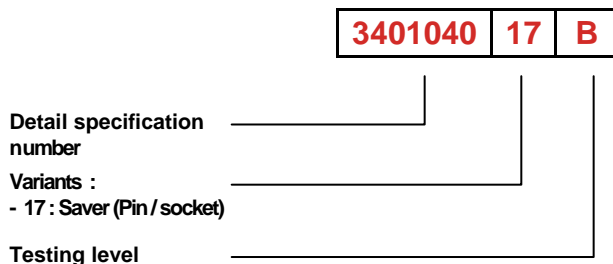
• Connectors D*BM - ESA/ESCC 3401-080 (Flying Models) :

Our easy build-a-connector concept allows to mix and match options to create the D*BM required. To order, manage your selection based on the here below listed boxes.

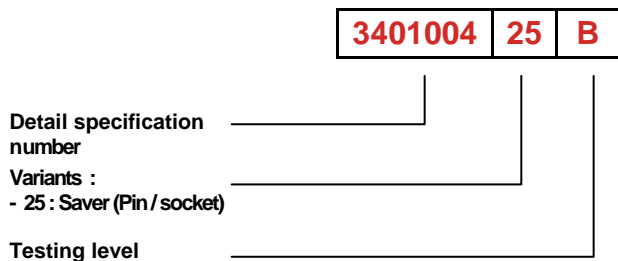
For any part number different from those listed here below, please consult your local C&K components representative.



• Contacts Power for D*BM - ESA/ESCC 3401-080 (Flying Models) :



• Contacts Coaxial for D*BM - ESA/ESCC 3401-080 (Flying Models) :



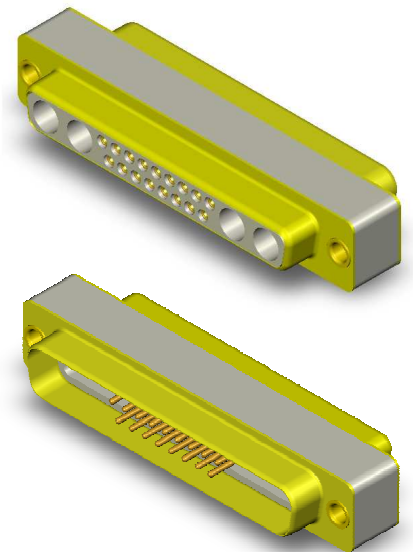


**D*BM Series compliant with ESA/ESCC 3401/080 specification
Connectors Savers, Electrical, Rectangular, Non-Removable
Signal Contacts, and Removable Coaxial and Power Contact For
D*Subminiature**

How to Order :

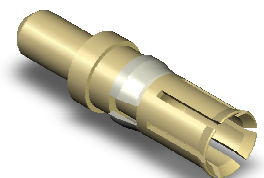
- **Connectors D*BM - ESA/ESCC 3401-080 without Power or Coaxial Contacts (Flying Models) :**
(Manufacturing Control and documentation compliant with ESA ESCC specifications 3401-080)

Shell Size	Contact arrangement	ESA / ESCC 3401080 Connector Description	C&K Part Number
E	9	340108001B DEBM9PSNMB	C115371-6950
E	5W1	340108001B DEBM5W1PSNMB	C115371-6951
A	15	340108001B DABM15PSNMB	C115371-6952
A	3WK3	340108001B DABM3WK3PSNMB	C115371-6953
A	3W3	340108001B DABM3W3PSNMB	C115371-6954
A	7W2	340108001B DABM7W2PSNMB	C115371-6955
A	11W1	340108001B DABM11W1PSNMB	C115371-6956
B	25	340108001B DBBM25PSNMB	C115371-6957
B	5W5	340108001B DBBM5W5PSNMB	C115371-6958
B	9W4	340108001B DBBM9W4PSNMB	C115371-6959
B	13W3	340108001B DBBM13W3PSNMB	C115371-6960
B	17W2	340108001B DBBM17W2PSNMB	C115371-6961
B	21W1	340108001B DBBM21W1PSNMB	C115371-6962
C	37	340108001B DCBM37PSNMB	C115371-6963
C	8W8	340108001B DCBM8W8PSNMB	C115371-6964
C	13W6	340108001B DCBM13W6PSNMB	C115371-6965
C	17W5	340108001B DCBM17W5PSNMB	C115371-6966
C	21WA4	340108001B DCBM21WA4PSNMB	C115371-6967
C	25W3	340108001B DCBM25W3PSNMB	C115371-6968
C	27W2	340108001B DCBM27W2PSNMB	C115371-6969
D	50	340108001B DDBM50PSNMB	C115371-6970
D	24W7	340108001B DDBM24W7PSNMB	C115371-6971
D	36W4	340108001B DDBM36W4PSNMB	C115371-6972
D	43W2	340108001B DDBM43W2PSNMB	C115371-6973
D	47W1	340108001B DDBM47W1PSNMB	C115371-6974



- **Power Contacts – ESA / ESCC 3401-040 (Flying Models) :**

ESA / ESCC 3401040 Contact Description	C&K Part-Number
340104017B	C115366-2189C



- **Coaxial Contacts – ESA / ESCC 3401-004 (Flying Models) :**

ESA / ESCC 3401004 Contact Description	C&K Part-Number
340100425B	C115366-2190C



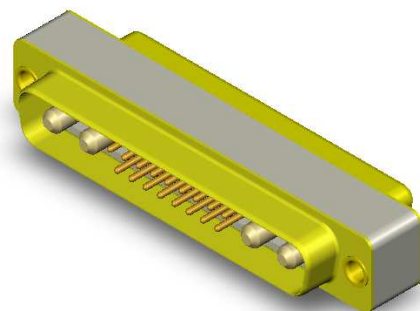
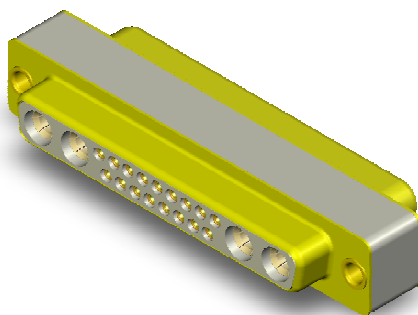


**D*BM Series compliant with ESA/ESCC 3401/080 specification
Connectors Savers, Electrical, Rectangular, Non-Removable
Signal Contacts, and Removable Coaxial and Power Contact For
D*Subminiature**

SECTION 2 : ESA / ESCC 3401-080 WITH POWER OR COAXIAL CONTACTS

- **Connectors D*BM - ESA/ESCC 3401-080 equipped with Power Contact 3401-040-17B (Flying Models) :**
(Manufacturing Control and documentation compliant with ESA ESCC specifications 3401-080 and 3401-040)

Shell Size	Contact arrangement	ESA / ESCC 3401080 Connector Description	C&K Part Number
E	5W1	340108001B DEBM5W1PSNMB	C115366-2340C
A	3WK3	340108001B DABM3WK3PSNMB	C115366-2370C
A	3W3	340108001B DABM3W3PSNMB	C115366-2341C
A	7W2	340108001B DABM7W2PSNMB	C115366-2342C
A	11W1	340108001B DABM11W1PSNMB	C115366-2343C
B	5W5	340108001B DBBM5W5PSNMB	C115366-2344C
B	9W4	340108001B DBBM9W4PSNMB	C115366-2345C
B	13W3	340108001B DBBM13W3PSNMB	C115366-2346C
B	17W2	340108001B DBBM17W2PSNMB	C115366-2347C
B	21W1	340108001B DBBM21W1PSNMB	C115366-2348C
C	8W8	340108001B DCBM8W8PSNMB	C115366-2349C
C	13W6	340108001B DCBM13W6PSNMB	C115366-2350C
C	17W5	340108001B DCBM17W5PSNMB	C115366-2351C
C	21WA4	340108001B DCBM21WA4PSNMB	C115366-2352C
C	25W3	340108001B DCBM25W3PSNMB	C115366-2353C
C	27W2	340108001B DCBM27W2PSNMB	C115366-2354C
D	24W7	340108001B DDBM24W7PSNMB	C115366-2355C
D	36W4	340108001B DDBM36W4PSNMB	C115366-2356C
D	43W2	340108001B DDBM43W2PSNMB	C115366-2357C
D	47W1	340108001B DDBM47W1PSNMB	C115366-2358C



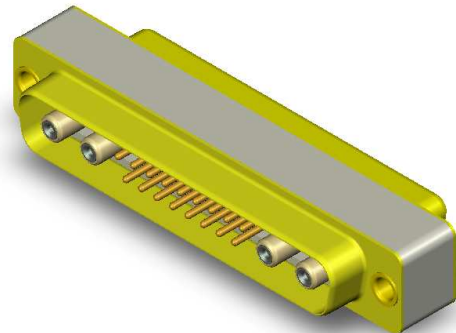
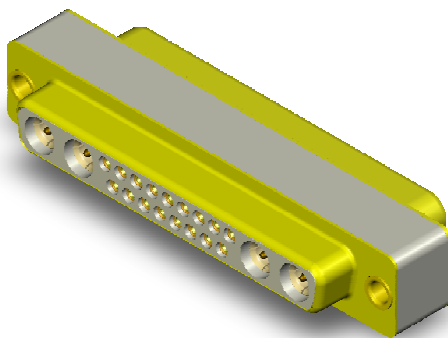


**D*BM Series compliant with ESA/ESCC 3401/080 specification
Connectors Savers, Electrical, Rectangular, Non-Removable
Signal Contacts, and Removable Coaxial and Power Contact For
D*Subminiature**

SECTION 2 (continued):

- **Connectors D*BM - ESA/ESCC 3401-080 equipped with Coaxial contact 340100425B (Flying Models) :**
(Manufacturing Control and documentation compliant with ESA ESCC specifications 3401-080 and 3401-004)

Shell Size	Contact arrangement	ESA / ESCC 3401080 Connector Description	C&K Part-Number
E	5W1	340108001B DEBM5W1PSNMB	C115366-2371C
A	3WK3	340108001B DABM3WK3PSNMB	C115366-2372C
A	3W3	340108001B DABM3W3PSNMB	C115366-2373C
A	7W2	340108001B DABM7W2PSNMB	C115366-2374C
A	11W1	340108001B DABM11W1PSNMB	C115366-2375C
B	5W5	340108001B DBBM5W5PSNMB	C115366-2376C
B	9W4	340108001B DBBM9W4PSNMB	C115366-2377C
B	13W3	340108001B DBBM13W3PSNMB	C115366-2378C
B	17W2	340108001B DBBM17W2PSNMB	C115366-2379C
B	21W1	340108001B DBBM21W1PSNMB	C115366-2380C
C	8W8	340108001B DCBM8W8PSNMB	C115366-2381C
C	13W6	340108001B DCBM13W6PSNMB	C115366-2382C
C	17W5	340108001B DCBM17W5PSNMB	C115366-2383C
C	21WA4	340108001B DCBM21WA4PSNMB	C115366-2384C
C	25W3	340108001B DCBM25W3PSNMB	C115366-2385C
C	27W2	340108001B DCBM27W2PSNMB	C115366-2386C
D	24W7	340108001B DDBM24W7PSNMB	C115366-2387C
D	36W4	340108001B DDBM36W4PSNMB	C115366-2388C
D	43W2	340108001B DDBM43W2PSNMB	C115366-2389C
D	47W1	340108001B DDBM47W1PSNMB	C115366-2390C





**D*BM Series compliant with ESA/ESCC 3401/080 specification
Connectors Savers, Electrical, Rectangular, Non-Removable
Signal Contacts, and Removable Coaxial and Power Contact For
D*Subminiature**

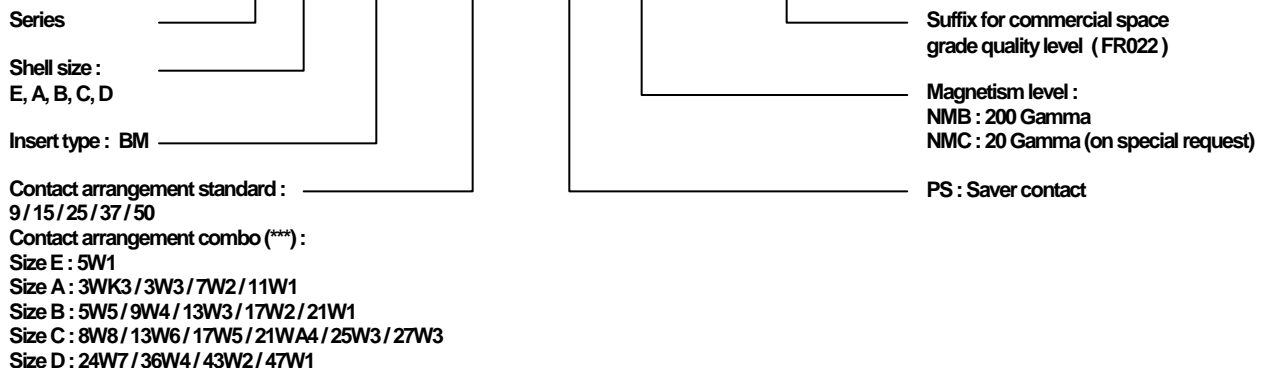
SECTION 3 : FR022 WITHOUT POWER OR COAXIAL CONTACTS

*Power or Coaxial contacts shall be ordered separately. Power and Coaxial contacts have to come from the same manufacturer. This shall be checked prior to assembly.
However, Connectors can be ordered with power or coaxial contacts installed (See Section 4)*

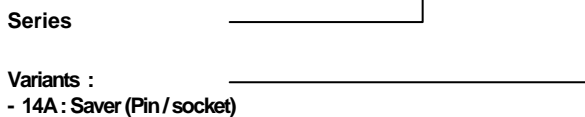
• Connectors D*BM – FR022 (Engineering Models) :

Our easy build-a-connector concept allows you to mix and match options to create the D*BM required. To order, manage your selection based on the here below listed boxes.

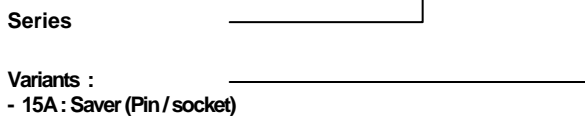
For any part number different from those listed here below, please consult your local C&K components representative.



• Power Contacts for D*BM – FR022 (Engineering Models) :



• Coaxial Contacts for D*BM – FR022 (Engineering Models) :



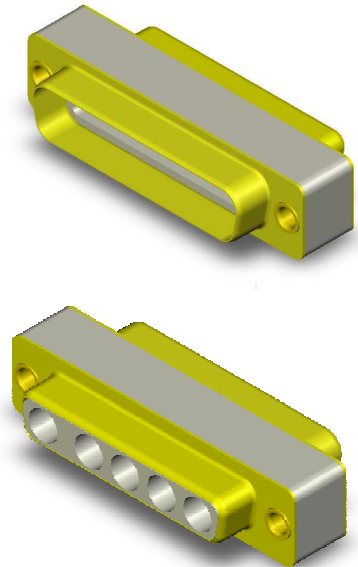


D*BM Series compliant with ESA/ESCC 3401/080 specification Connectors Savers, Electrical, Rectangular, Non-Removable Signal Contacts, and Removable Coaxial and Power Contact For D*Subminiature

How to Order :

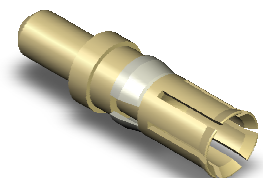
- **Connectors D*BM – FR022 without Power or Coaxial contact (Engineering Models) :**
(Manufacturing Control and documentation compliant with C&K FR022 specifications)

Shell Size	Contact arrangement	C&K FR022 Connector Description	C&K Part Number
E	9	DEBM9PSNMB-FR022	C115371-4950
E	5W1	DEBM5W1PSNMB-FR022	C115371-4951
A	15	DABM15PSNMB-FR022	C115371-4952
A	3WK3	DABM3WK3PSNMB-FR022	C115371-4953
A	3W3	DABM3W3PSNMB-FR022	C115371-4954
A	7W2	DABM7W2PSNMB-FR022	C115371-4955
A	11W1	DABM11W1PSNMB-FR022	C115371-4956
B	25	DBBM25PSNMB-FR022	C115371-4957
B	5W5	DBBM5W5PSNMB-FR022	C115371-4958
B	9W4	DBBM9W4PSNMB-FR022	C115371-4959
B	13W3	DBBM13W3PSNMB-FR022	C115371-4960
B	17W2	DBBM17W2PSNMB-FR022	C115371-4961
B	21W1	DBBM21W1PSNMB-FR022	C115371-4962
C	37	DCBM37PSNMB-FR022	C115371-4963
C	8W8	DCBM8W8PSNMB-FR022	C115371-4964
C	13W6	DCBM13W6PSNMB-FR022	C115371-4965
C	17W5	DCBM17W5PSNMB-FR022	C115371-4966
C	21WA4	DCBM21WA4PSNMB-FR022	C115371-4967
C	25W3	DCBM25W3PSNMB-FR022	C115371-4968
C	27W2	DCBM27W2PSNMB-FR022	C115371-4969
D	50	DDBM50PSNMB-FR022	C115371-4970
D	24W7	DDBM24W7PSNMB-FR022	C115371-4971
D	36W4	DDBM36W4PSNMB-FR022	C115371-4972
D	43W2	DDBM43W2PSNMB-FR022	C115371-4973
D	47W1	DDBM47W1PSNMB-FR022	C115371-4974



- **Power Contacts – FR022 (Engineering Models) :**

FR022 Contact Description	C&K Part-Number
DM115440-14A	C115440-0014A



- **Coaxial Contacts – FR022 (Engineering Models) :**

FR022 Contact Description	C&K Part-Number
DM115440-15A	C115440-15A



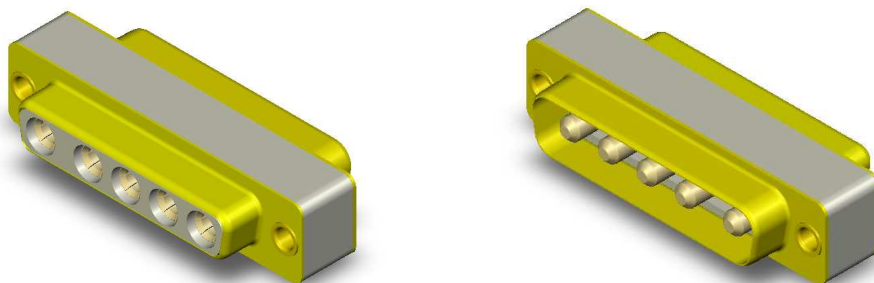


**D*BM Series compliant with ESA/ESCC 3401/080 specification
Connectors Savers, Electrical, Rectangular, Non-Removable
Signal Contacts, and Removable Coaxial and Power Contact For
D*Subminiature**

SECTION 4 : FR022 WITH POWER OR COAXIAL CONTACTS

- **Connectors D*BM – FR022 equipped with Power Contact DM115440-14A (Engineering Models) :**
(Manufacturing Control and documentation compliant with C&K FR022 specifications)

Shell Size	Contact arrangement	Connector Description	C&K Part-Number
E	5W1	DEBM5W1PSNMB-FR022	C115440-0090
A	3WK3	DABM3WK3PSNMB-FR022	C115440-0091
A	3W3	DABM3W3PSNMB-FR022	C115440-0092
A	7W2	DABM7W2PSNMB-FR022	C115440-0093
A	11W1	DABM11W1PSNMB-FR022	C115440-0094
B	5W5	DBBM5W5PSNMB-FR022	C115440-0095
B	9W4	DBBM9W4PSNMB-FR022	C115440-0096
B	13W3	DBBM13W3PSNMB-FR022	C115440-0097
B	17W2	DBBM17W2PSNMB-FR022	C115440-0098
B	21W1	DBBM21W1PSNMB-FR022	C115440-0099
C	8W8	DCBM8W8PSNMB-FR022	C115440-0100
C	13W6	DCBM13W6PSNMB-FR022	C115440-0101
C	17W5	DCBM17W5PSNMB-FR022	C115440-0102
C	21WA4	DCBM21WA4PSNMB-FR022	C115440-0103
C	25W3	DCBM25W3PSNMB-FR022	C115440-0104
C	27W2	DCBM27W2PSNMB-FR022	C115440-0105
D	24W7	DDBM24W7PSNMB-FR022	C115440-0106
D	36W4	DDBM36W4PSNMB-FR022	C115440-0107
D	43W2	DDBM43W2PSNMB-FR022	C115440-0108
D	47W1	DDBM47W1PSNMB-FR022	C115440-0109



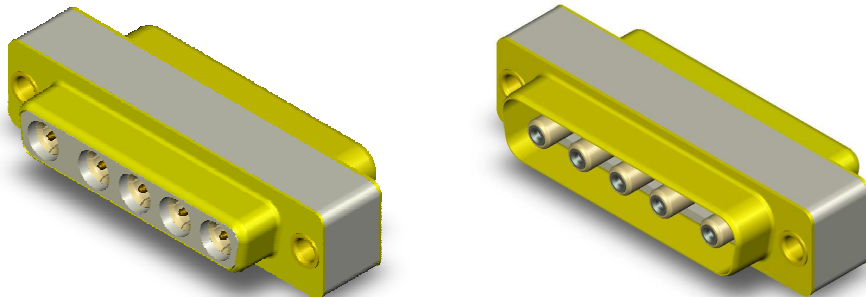


D*BM Series compliant with ESA/ESCC 3401/080 specification Connectors Savers, Electrical, Rectangular, Non-Removable Signal Contacts, and Removable Coaxial and Power Contact For D*Subminiature

SECTION 4 (continued):

- **Connectors D*BM – FR022 equipped with Coaxial Contact DM115440-15A (Engineering Models) :**
(Manufacturing Control and documentation compliant with C&K FR022 specifications)

Shell Size	Contact arrangement	Connector Description	C&K Part-Number
E	5W1	DEBM5W1PSNMB-FR022	C115440-0110
A	3WK3	DABM3WK3PSNMB-FR022	C115440-0111
A	3W3	DABM3W3PSNMB-FR022	C115440-0112
A	7W2	DABM7W2PSNMB-FR022	C115440-0113
A	11W1	DABM11W1PSNMB-FR022	C115440-0114
B	5W5	DBBM5W5PSNMB-FR022	C115440-0115
B	9W4	DBBM9W4PSNMB-FR022	C115440-0116
B	13W3	DBBM13W3PSNMB-FR022	C115440-0117
B	17W2	DBBM17W2PSNMB-FR022	C115440-0118
B	21W1	DBBM21W1PSNMB-FR022	C115440-0119
C	8W8	DCBM8W8PSNMB-FR022	C115440-0120
C	13W6	DCBM13W6PSNMB-FR022	C115440-0121
C	17W5	DCBM17W5PSNMB-FR022	C115440-0122
C	21WA4	DCBM21WA4PSNMB-FR022	C115440-0123
C	25W3	DCBM25W3PSNMB-FR022	C115440-0124
C	27W2	DCBM27W2PSNMB-FR022	C115440-0125
D	24W7	DDBM24W7PSNMB-FR022	C115440-0126
D	36W4	DDBM36W4PSNMB-FR022	C115440-0127
D	43W2	DDBM43W2PSNMB-FR022	C115440-0128
D	47W1	DDBM47W1PSNMB-FR022	C115440-0129





D*BM Series compliant with ESA/ESCC 3401/080 specification Connectors Savers, Electrical, Rectangular, Non-Removable Signal Contacts, and Removable Coaxial and Power Contact For D*Subminiature

Materials and finishes :

• Connectors :

Shells	Brass Finish : 0,7 µm min. (28 µin min.) Gold over 1,01 µm min. (40 µin min.) Copper
Insulators	PCT thermoplastic material, UL 94-V0, glass-filled, white color
Signals contacts	Copper alloy / Finish : 1,27 µm (50 µin) min. Gold over Copper underlay
Spacer	PCT thermoplastic material, UL 94-V0, glass-filled, white color
Post retaining	Brass Finish : 0,7 µm min. (28 µin min.) Gold over 1,01 µm min. (40 µin min.) Copper

• Power and coaxial contacts :

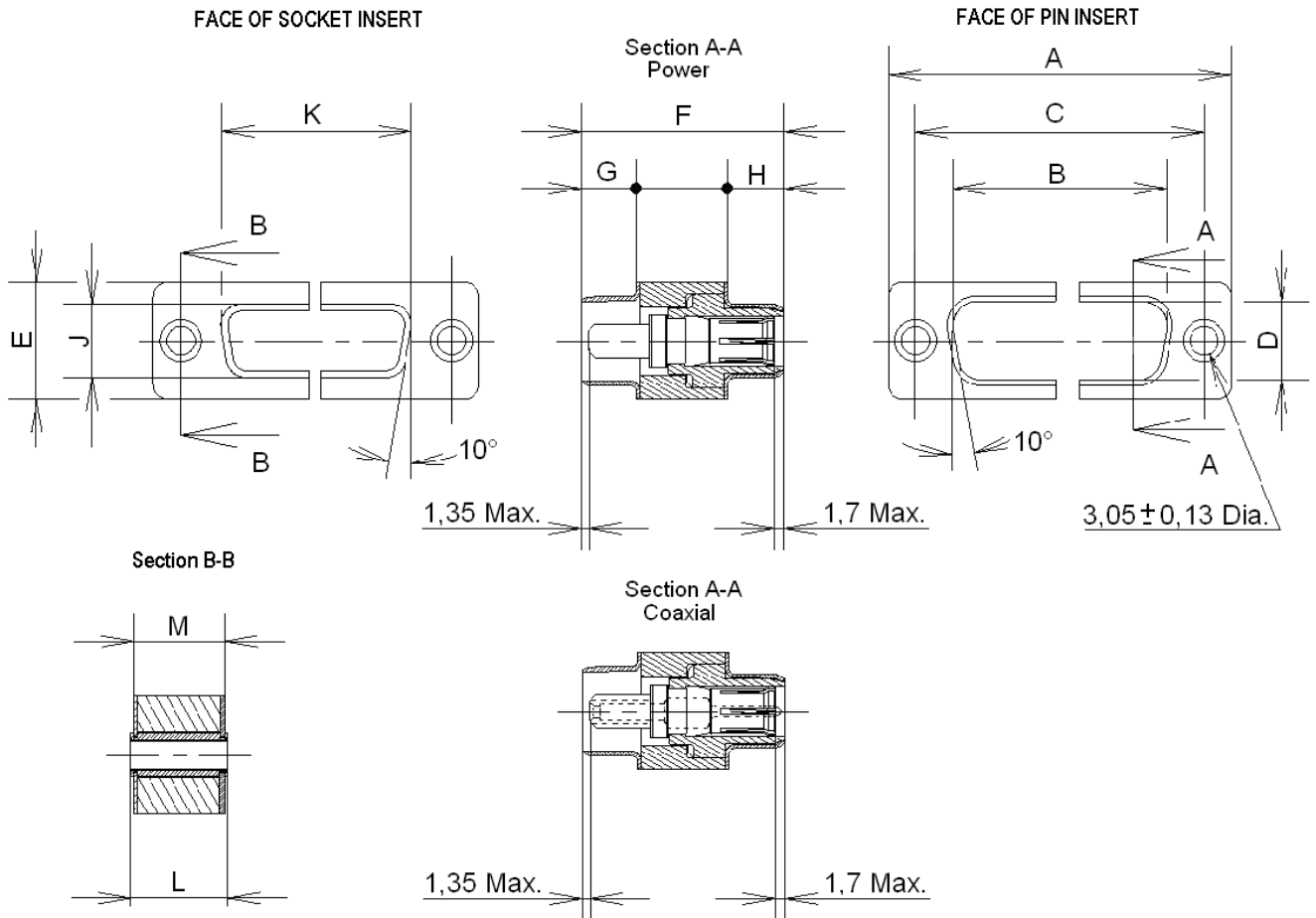
Body	Copper alloy / Finish : 1,27 µm (50 µin) min. Gold over Copper underlay
Insulator (coaxial)	Teflon
Signal contacts (coaxial)	Copper alloy / Finish : 1,27 µm (50 µin) min. Gold over Copper underlay
Retention clip	Beryllium Copper / Finish : 1,27 µm (50 µin) min. Gold over Copper underlay



**D*BM Series compliant with ESA/ESCC 3401/080 specification
Connectors Savers, Electrical, Rectangular, Non-Removable
Signal Contacts, and Removable Coaxial and Power Contact For
D*Subminiature**

Physical Dimensions :

- Connectors D*BM - ESA/ESCC 3401-080 and FR022 :



SHELL SIZE		A	B	C	D	E	F	G	H	J	K	L	M
E	Max.	31,19	17,04	25,12	8,48	12,93	22,12	6,05	6,30	8,03	16,46	10,97	10,11
	min.	30,43	16,79	24,87	8,23	12,17	21,62	5,82	6,05	7,77	16,21	10,21	9,61
A	Max.	39,52	25,37	33,45	8,48	12,93	22,12	6,05	6,30	8,03	24,79	10,97	10,11
	min.	38,76	25,12	33,20	8,23	12,17	21,62	5,82	6,05	7,77	24,54	10,21	9,61
B	Max.	53,42	39,09	47,17	8,48	12,93	22,22	5,99	6,30	8,03	38,51	10,97	10,11
	min.	52,65	38,84	46,91	8,23	12,17	21,72	5,69	6,05	7,77	38,25	10,21	9,61
C	Max.	69,70	55,55	63,63	8,48	12,93	22,22	5,99	6,30	8,03	54,97	10,97	10,11
	min.	68,94	55,30	63,37	8,23	12,17	21,72	5,69	6,05	7,77	54,71	10,21	9,61
D	Max.	67,31	52,93	61,24	11,33	15,75	22,22	5,99	6,30	10,87	52,55	10,97	10,11
	min.	66,55	52,68	60,99	11,07	14,99	21,72	5,69	6,05	10,62	52,30	10,21	9,61

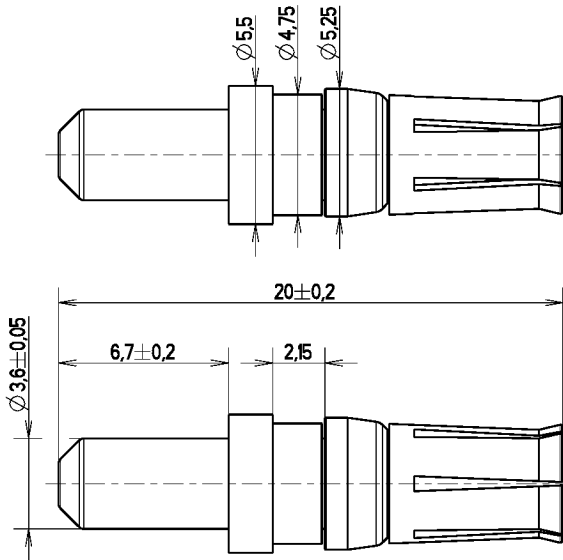




**D*BM Series compliant with ESA/ESCC 3401/080 specification
Connectors Savers, Electrical, Rectangular, Non-Removable
Signal Contacts, and Removable Coaxial and Power Contact For
D*Subminiature**

Physical Dimensions (continued) :

- Contacts Power - ESA/ESCC 3401-040 and FR022 :



- Contacts Coaxial - ESA/ESCC 3401-004 and FR022 :

