

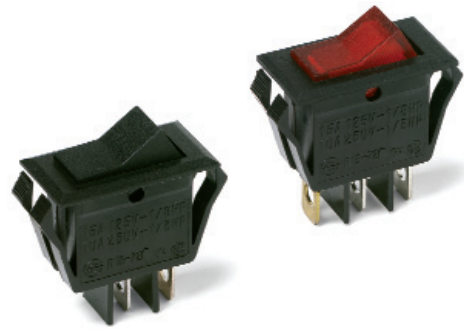
# C&K CL Series Single Pole Power Rocker Switches

## Features/Benefits

- Illuminated versions available
- Positive detent
- Snap-in mounting

## Typical Applications

- Floor care products
- Power outlet strips
- Small appliances



## Specifications

### CONTACT RATING:

UL/CSA: 16 AMPS @ 125 VAC, 1/3 HP;  
10 AMPS @ 250 VAC, 1/2 HP.

ELECTRICAL LIFE: 10,000 make and break cycles at full load.

INSULATION RESISTANCE:  $10^8 \Omega$  min.

DIELECTRIC STRENGTH: 1,500 VRMS @ sea level.

## Materials

HOUSING AND ACTUATOR: 6/6 nylon (UL94V-2), black, matte finish.

ILLUMINATED ACTUATOR: Polycarbonate, matte finish.

CENTER CONTACTS: Silver plated, copper alloy.

END CONTACTS: Silver plated.

ALL TERMINALS: Silver plated, copper alloy.

**NOTE:** Specifications and materials listed above are for switches with standard options. For information on specific and custom switches, consult Customer Service Center.

## Build-A-Switch

To order, simply select desired option from each category and place in the appropriate box. Available options are shown and described on pages 16 thru 18. For additional options not shown in catalog, consult Customer Service Center.

<div style="border: 1px solid black; width: 100px; height: 15px; display: inline-block;"></div>		<div style="border: 1px solid black; width: 50px; height: 15px; display: inline-block;"></div>		<div style="border: 1px solid black; width: 30px; height: 15px; display: inline-block;"></div>		<div style="border: 1px solid black; width: 50px; height: 15px; display: inline-block;"></div>		<div style="border: 1px solid black; width: 50px; height: 15px; display: inline-block;"></div>		<div style="border: 1px solid black; width: 50px; height: 15px; display: inline-block;"></div>		<div style="border: 1px solid black; width: 50px; height: 15px; display: inline-block;"></div>		<div style="border: 1px solid black; width: 50px; height: 15px; display: inline-block;"></div>		<div style="border: 1px solid black; width: 50px; height: 15px; display: inline-block;"></div>		<div style="border: 1px solid black; width: 50px; height: 15px; display: inline-block;"></div>	
<b>Switch Function</b> <b>CL101</b> SPDT On-None-On <b>CL102</b> SPST On-None-Off <b>CL12</b> * SPST On-None-Off		<b>Actuator</b> <b>J7</b> Rocker <b>J9</b> Illuminated rocker		<b>Actuator Color</b> <b>2 (STD.)</b> Black <b>1</b> White <b>3</b> Red <b>R</b> Red, illuminated <b>A</b> Amber, illuminated <b>G</b> Green, illuminated		<b>Mounting Style/Color</b> <b>S2 (STD.)</b> Snap-in, black <b>S1</b> Snap-in, white		<b>Termination</b> <b>05 (STD.)</b> .250" quick connect		<b>Actuator Marking</b> <b>(NONE)</b> (STD.) No marking <b>D</b> ON-OFF <b>H</b> "O I" - international ON-OFF <b>P</b> "O -" international ON-OFF		<b>Contact Rating</b> <b>QA (STD.)</b> Silver		<b>Lamp Rating</b> <b>(NONE)</b> (STD.) No lamp <b>7</b> 125 VAC neon <b>8</b> 250 VAC neon					

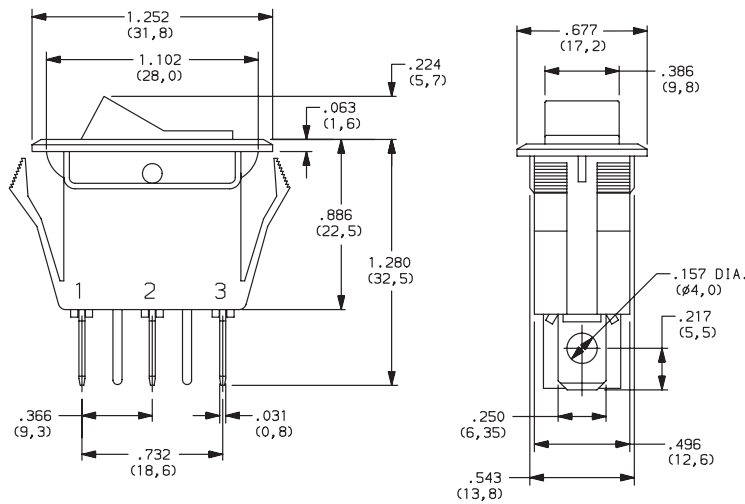
\* CL12 - for switches with both marking and illumination

# C&K CL Series Single Pole Power Rocker Switches

## SWITCH FUNCTION

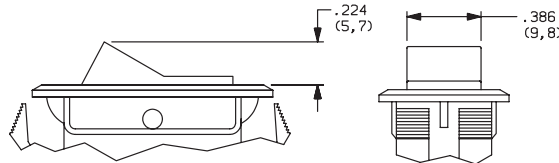
NO. POLES	MODEL NO.	SWITCH FUNCTION			CONNECTED TERMINALS			SCHEMATIC
SP	<b>CL101</b>	ON	NONE	ON	2-3	N/A	2-1	
	<b>CL102</b>	ON	NONE	OFF				
	<b>CL12 *</b>	ON	NONE	OFF				

\* CL12 - for switches with both marking and illumination



## ACTUATOR

- J7** ROCKER
- J9** ILLUMINATED ROCKER



NOTE: J9 actuator available with CL102 switch function only.

## ACTUATOR COLOR

OPTION CODE	ACTUATOR COLOR
<b>2</b>	(STD.) BLACK
<b>1</b>	WHITE
<b>3</b>	RED
<b>R</b>	RED, ILLUMINATED
<b>A</b>	AMBER, ILLUMINATED
<b>G</b>	GREEN, ILLUMINATED

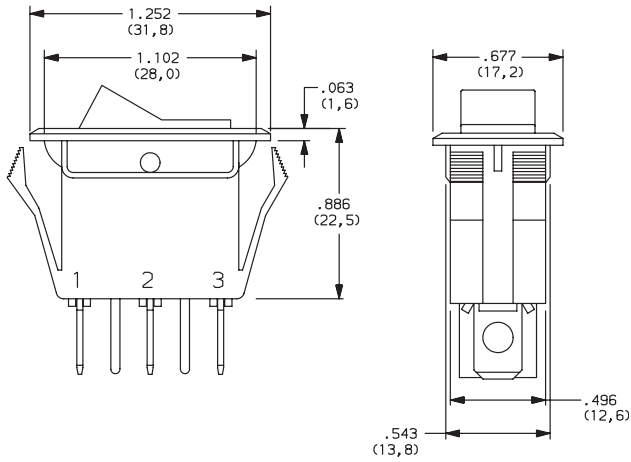
# C&K CL Series Single Pole Power Rocker Switches

## MOUNTING STYLE/COLOR

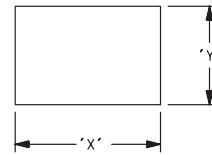


**S2** (STD.) SNAP-IN, BLACK

**S1** SNAP-IN, WHITE



### PANEL MOUNTING

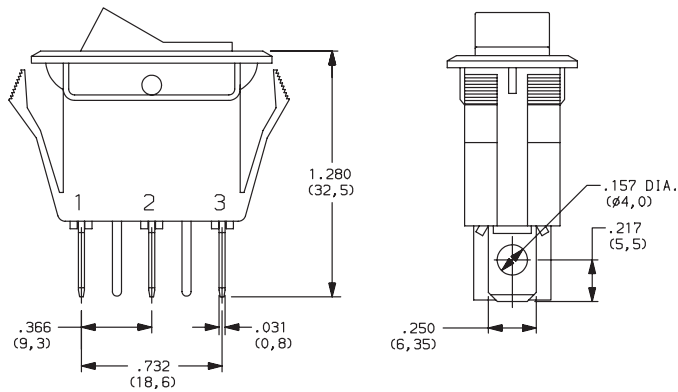


PANEL THICKNESS	"X"	"Y"
0.030-0.049 (0,75-1,25)	1.126-.004 (28,6-0,1)	0.551+.004 (14,0+0,1)
0.049-0.079 (1,25-2,0)	1.134-.004 (28,8-0,1)	0.551+.004 (14,0+0,1)
0.079-0.118 (2,0-3,0)	1.150-.004 (29,2-0,1)	0.551+.004 (14,0+0,1)

## TERMINATION



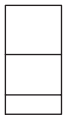
**05** (STD.) .250" QUICK CONNECT



## ACTUATOR MARKING



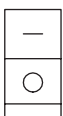
**NONE** (STD.) NO MARKING



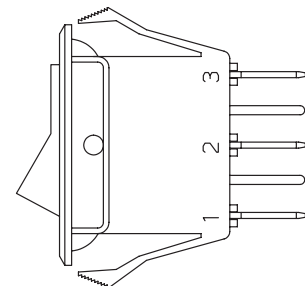
**D** ON-OFF



**H** 0 I




**P** 0 -



**NOTE:** Orientation of actuator marking and terminals.

# C&K CL Series Single Pole Power Rocker Switches

## CONTACT MATERIAL

OPTION CODE	CONTACT AND TERMINAL MATERIAL	RATINGS	
<b>QA (STD.)</b>	SILVER	POWER	16 AMPS @ 125 VAC; 1/3 HP; 10 AMPS @ 250 VAC, 1/2 HP (C  US)

## LAMP RATING

**(NONE)** NO LAMP

**7** 125 VAC 33kΩ NEON

**8** 250 VAC 150kΩ NEON

**NOTE:** Lamp rating for J9 actuator option.