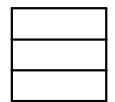
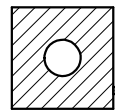
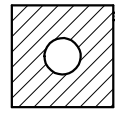


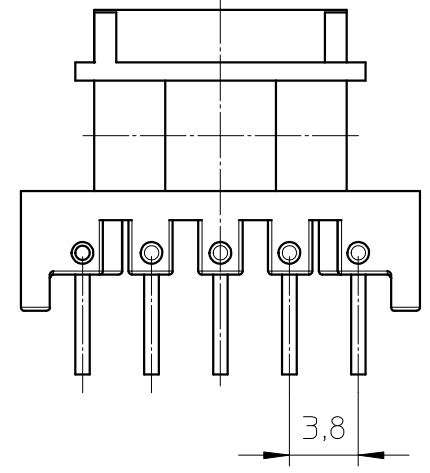
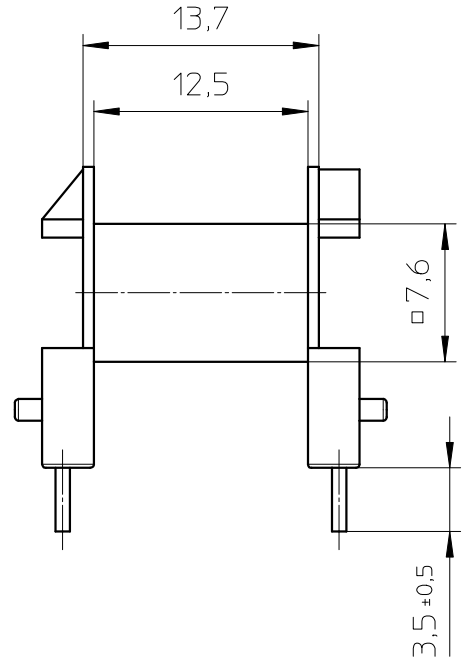
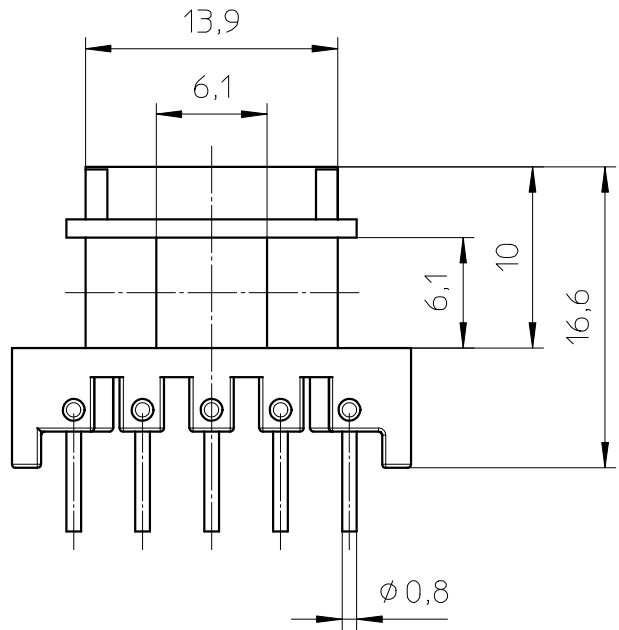
**FERROXCUBE**



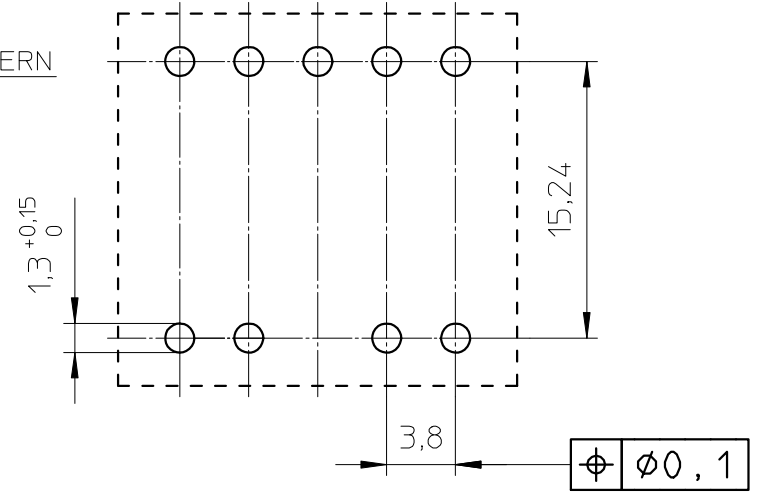
1 2 3 4 5 6 7 8

a  
b  
c  
d  
e  
f

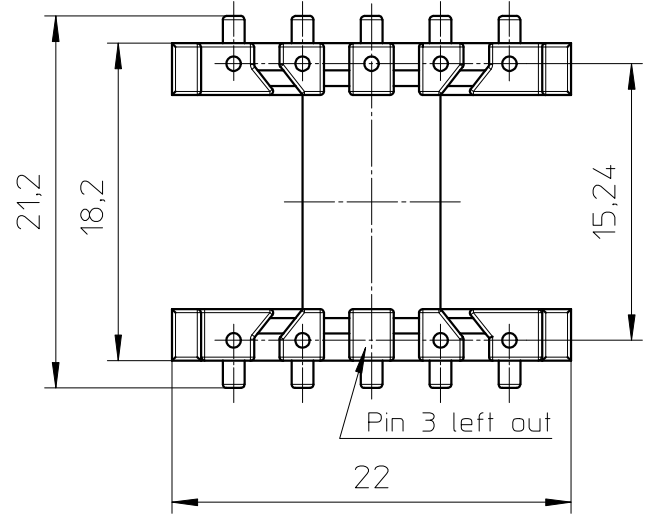
a  
b  
c  
d  
e  
f



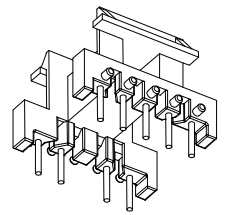
PROPOSED HOLE PATTERN



note: break strength of plastic 23N min.  
measured from pulling pinrow to pinrow.



Coil former material: Sumikon PM9630 (PF), glass-reinforced.  
UL file number: E41429 - UL94V-0.  
Pin material: CuSn - Ni flash, Sn plated.  
Max. operating temp.: acc. to IEC 60 085 class H, 180°C.  
Resistance to soldering heat: acc. to IEC 60 068-2-20 Part 2, Test Tb, method 1B, 350°C-3,5s.  
Solderability: acc. to IEC 60 068-2-20 Part 2, Test Ta, method 1, 235°C-2s.  
Min. winding area: 35 mm.<sup>2</sup>  
Mean length of turn: 39 mm.



CLASS.NO.		CSH-E20/10/6-1S-9P-Z		4322 021 06511		2005-09-30	2005-10-05
NAME NAAM	M.Veekens	SUPERS. VERV.	001	SH BL.	112 - 001	A3	
MPA	CHECK CONTR.	DAT.	2005-09-30	Property of Eigendom van		© FERROXCUBE 2000	

1 2 3 4

