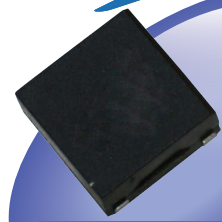
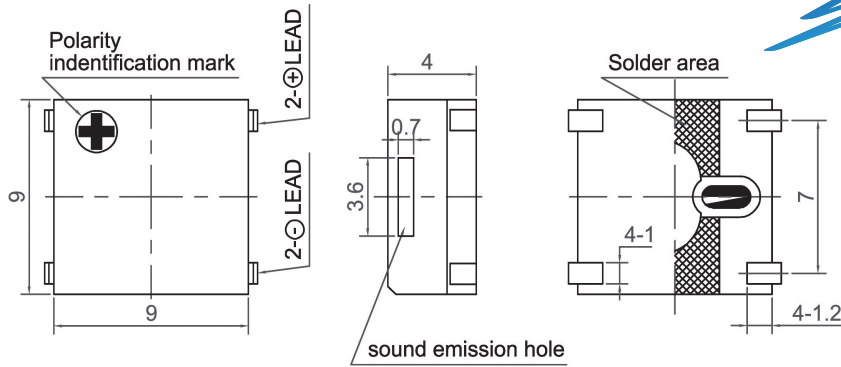
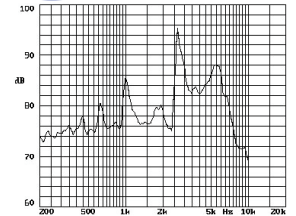


# SMD Magnetic Transducer (AC)



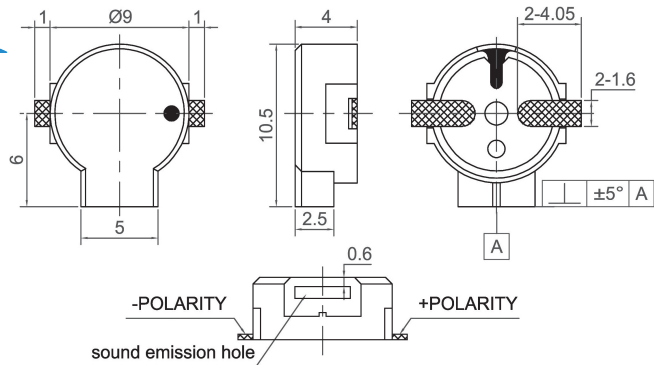
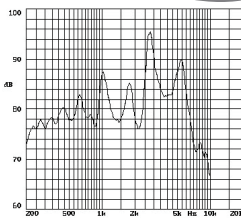
**CSMT0904-S**



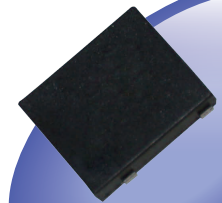
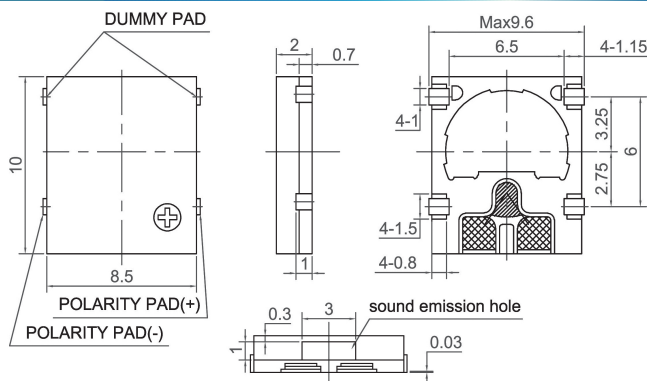
| Canopus Part no. | Operating Voltage (V) | Rated Voltage (V) | Max Rated Current (mA) | Coil Resistance ( $\Omega$ ) | Min Sound Output (dBA) | Resonant Frequency (Hz) | Operating Temperature ( $^{\circ}$ C) | Housing | Weight (g) |
|------------------|-----------------------|-------------------|------------------------|------------------------------|------------------------|-------------------------|---------------------------------------|---------|------------|
| CSMT0904D2670LS  | 2.5 ~ 4.5             | 3.6               | 100                    | 16 $\pm$ 3                   | 87 at 10cm             | 2670                    | -30 ~ +70                             | LCP     | 1          |
| CSMT0904D3000LS  | 2.5 ~ 4.5             | 3.6               | 100                    | 16 $\pm$ 3                   | 85 at 10cm             | 3000                    | -30 ~ +70                             | PA46    | 1          |



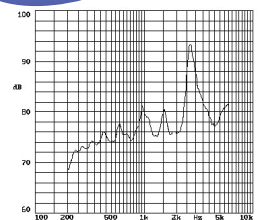
**CSMT0904-X**



| Canopus Part no. | Operating Voltage (V) | Rated Voltage (V) | Max Rated Current (mA) | Coil Resistance ( $\Omega$ ) | Min Sound Output (dBA) | Resonant Frequency (Hz) | Operating Temperature ( $^{\circ}$ C) | Housing | Weight (g) |
|------------------|-----------------------|-------------------|------------------------|------------------------------|------------------------|-------------------------|---------------------------------------|---------|------------|
| CSMT0904D2731LX  | 2.5 ~ 4.5             | 3.6               | 90                     | 16 $\pm$ 3                   | 87 at 10cm             | 2731                    | -20 ~ +60                             | PA46    | 0.7        |
| CSMT0904D3100LX  | 2.5 ~ 4.5             | 3.6               | 90                     | 16 $\pm$ 3                   | 87 at 10cm             | 3100                    | -30 ~ +70                             | PA46    | 0.7        |



**CSMT1002-S**



| Canopus Part no. | Operating Voltage (V) | Rated Voltage (V) | Max Rated Current (mA) | Coil Resistance ( $\Omega$ ) | Min Sound Output (dBA) | Resonant Frequency (Hz) | Operating Temperature ( $^{\circ}$ C) | Housing | Weight (g) |
|------------------|-----------------------|-------------------|------------------------|------------------------------|------------------------|-------------------------|---------------------------------------|---------|------------|
| CSMT1002D2670LS  | 2 ~ 5                 | 3.6               | 100                    | 16 $\pm$ 2.4                 | 88 at 10cm             | 2670                    | -30 ~ +70                             | LCP     | 0.38       |
| CSMT1002D2731LS  | 2 ~ 5                 | 3.6               | 100                    | 16 $\pm$ 2.4                 | 88 at 10cm             | 2731                    | -30 ~ +70                             | LCP     | 0.38       |
| CSMT1002D3100LS  | 2 ~ 5                 | 3.6               | 100                    | 16 $\pm$ 2.4                 | 88 at 10cm             | 3100                    | -30 ~ +70                             | LCP     | 0.38       |

**Your Efficient Supplier**  
[www.canopus.com.hk](http://www.canopus.com.hk)

TEL.: (852) 2806 2812

Fax: (852) 2652 2216

CANOPUS