

# Toroidal Inductors

Medium Current

CTP4554

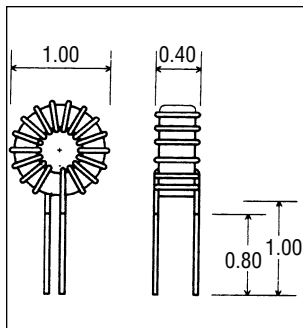
CTP4554 is a medium current inductor with the following data and features:

- **Core type:** 0.80" o.d., Moly-Permalloy Powder, perm 60.
  - **Power rating:** 1.2 watts for temp. rise 50°C.
  - **Typical applications:** Switching Inductors in Switch Mode Power Supplies.
- Four mounting styles are offered:**
- 1 Flying leads (1.00"), for vertical or horizontal mounting.
  - 2 4-pin header, for vertical mounting.
  - 3 Threaded center hole, flying leads (2.00").
  - 4 2-pin header, for vertical mounting.

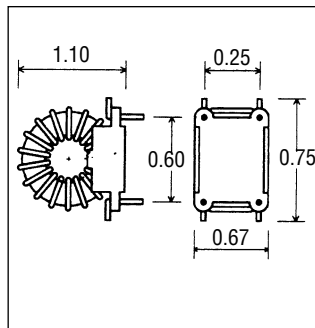


## MECHANICAL

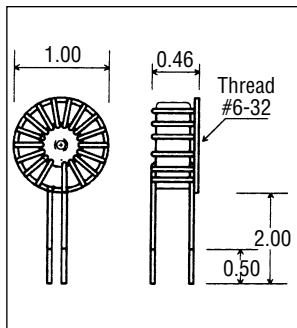
Style 1



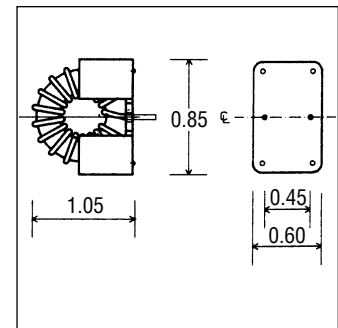
Style 2



Style 3



Style 4



## ELECTRICAL SPECIFICATION

**Ordering Information:** Substitute the style number for the asterisk (\*). Example: CTP4554, Style 1, 56uH. Order: CTP4554 - 116

| Part No.<br>CTP4554 - | Ind.<br>(uH) | DCR<br>Ohms | Rated<br>Current<br>Amp. RMS | I (amp.)<br>@ Lsat.<br>10% | I (amp.)<br>@ Lsat.<br>25% | I (amp.)<br>@ Lsat.<br>50% | Part No.<br>CTP4554 - | Ind.<br>(uH) | DCR<br>Ohms | Rated<br>Current<br>Amp. RMS | I (amp.)<br>@ Lsat.<br>10% | I (amp.)<br>@ Lsat.<br>25% | I (amp.)<br>@ Lsat.<br>50% |
|-----------------------|--------------|-------------|------------------------------|----------------------------|----------------------------|----------------------------|-----------------------|--------------|-------------|------------------------------|----------------------------|----------------------------|----------------------------|
| * 01                  | 3.3          | 0.005       | 16.2                         | 14.4                       | 23.9                       | 39.9                       | * 17                  | 68           | 0.032       | 6.2                          | 3.2                        | 5.3                        | 8.8                        |
| * 02                  | 3.9          | 0.005       | 15.5                         | 13.2                       | 22.0                       | 36.7                       | * 18                  | 82           | 0.035       | 5.9                          | 2.9                        | 4.8                        | 8.0                        |
| * 03                  | 4.7          | 0.005       | 14.9                         | 12.0                       | 20.1                       | 33.4                       | * 19                  | 100          | 0.038       | 5.6                          | 2.6                        | 4.3                        | 7.2                        |
| * 04                  | 5.6          | 0.006       | 14.3                         | 11.0                       | 18.4                       | 30.6                       | * 20                  | 120          | 0.042       | 5.4                          | 2.4                        | 4.0                        | 6.6                        |
| * 05                  | 6.8          | 0.006       | 13.6                         | 10.0                       | 16.7                       | 27.8                       | * 21                  | 150          | 0.047       | 5.1                          | 2.1                        | 3.5                        | 5.9                        |
| * 06                  | 8.2          | 0.007       | 13.0                         | 9.1                        | 15.2                       | 25.3                       | * 22                  | 180          | 0.064       | 4.3                          | 1.9                        | 3.2                        | 5.4                        |
| * 07                  | 10           | 0.008       | 12.4                         | 8.2                        | 13.7                       | 22.9                       | * 23                  | 220          | 0.090       | 3.6                          | 1.8                        | 2.9                        | 4.9                        |
| * 08                  | 12           | 0.009       | 11.9                         | 7.5                        | 12.5                       | 20.9                       | * 24                  | 270          | 0.125       | 3.1                          | 1.6                        | 2.6                        | 4.4                        |
| * 09                  | 15           | 0.009       | 11.2                         | 6.7                        | 11.2                       | 18.7                       | * 25                  | 330          | 0.138       | 2.9                          | 1.4                        | 2.4                        | 4.0                        |
| * 10                  | 18           | 0.010       | 10.8                         | 6.1                        | 10.2                       | 17.1                       | * 26                  | 390          | 0.190       | 2.5                          | 1.3                        | 2.2                        | 3.7                        |
| * 11                  | 22           | 0.011       | 10.2                         | 5.6                        | 9.3                        | 15.4                       | * 27                  | 470          | 0.208       | 2.4                          | 1.2                        | 2.0                        | 3.3                        |
| * 12                  | 27           | 0.013       | 9.7                          | 5.0                        | 8.4                        | 13.9                       | * 28                  | 560          | 0.227       | 2.3                          | 1.1                        | 1.8                        | 3.1                        |
| * 13                  | 33           | 0.018       | 8.3                          | 4.5                        | 7.6                        | 12.6                       |                       |              |             |                              |                            |                            |                            |
| * 14                  | 39           | 0.024       | 7.1                          | 4.2                        | 7.0                        | 11.6                       |                       |              |             |                              |                            |                            |                            |
| * 15                  | 47           | 0.026       | 6.8                          | 3.8                        | 6.3                        | 10.6                       |                       |              |             |                              |                            |                            |                            |
| * 16                  | 56           | 0.029       | 6.5                          | 3.5                        | 5.8                        | 9.7                        |                       |              |             |                              |                            |                            |                            |

CTP4554