

Toroidal Inductors Medium Current CTP4561

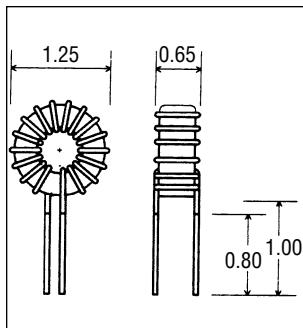
CTP4561 is a medium current inductor with the following data and features:

- **Core type:** 1.06" o.d., Moly-Permalloy Powder, perm 125.
 - **Power rating:** 2.16 watts for temp. rise 50°C.
 - **Typical applications:** Switching Inductors in Switch Mode Power Supplies.
- Four mounting styles are offered:**
- 1 Flying leads (1.00"), for vertical or horizontal mounting.
 - 2 4-pin header, for vertical mounting.
 - 3 Threaded center hole, flying leads (2.00").
 - 4 2-pin header, for vertical mounting.

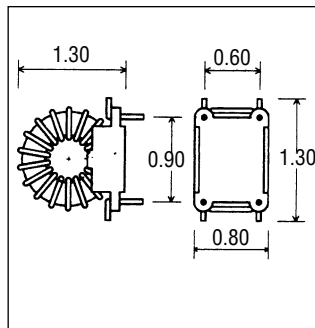


MECHANICAL

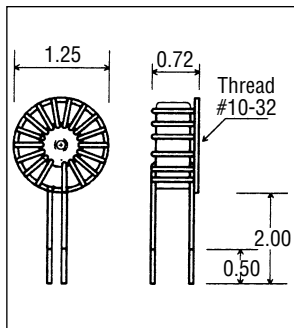
Style 1



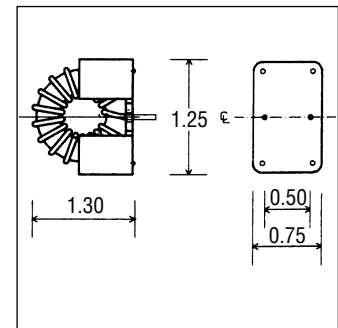
Style 2



Style 3



Style 4



ELECTRICAL SPECIFICATION

Ordering Information: Substitute the style number for the asterisk (*). Example: CTP4561, Style 1, 56uH. Order: CTP4561 - 116

| Part No. CTP4561 - | Ind. (uH) | DCR Ohms | Rated Current Amp. RMS | I (amp.) @ Lsat. 10% | I (amp.) @ Lsat. 25% | I (amp.) @ Lsat. 50% | Part No. CTP4561 - | Ind. (uH) | DCR Ohms | Rated Current Amp. RMS | I (amp.) @ Lsat. 10% | I (amp.) @ Lsat. 25% | I (amp.) @ Lsat. 50% |
|-----------------------|--------------|-------------|------------------------------|----------------------------|----------------------------|----------------------------|-----------------------|--------------|-------------|------------------------------|----------------------------|----------------------------|----------------------------|
| * 01 | 3.3 | 0.002 | 34.8 | 22.0 | 33.1 | 55.1 | * 17 | 68 | 0.024 | 9.4 | 4.9 | 7.3 | 12.1 |
| * 02 | 3.9 | 0.002 | 33.5 | 20.3 | 30.4 | 50.7 | * 18 | 82 | 0.027 | 9.0 | 4.4 | 6.6 | 11.1 |
| * 03 | 4.7 | 0.003 | 28.5 | 18.5 | 27.7 | 46.2 | * 19 | 100 | 0.029 | 8.6 | 4.0 | 6.0 | 10.0 |
| * 04 | 5.6 | 0.003 | 27.4 | 16.9 | 25.4 | 42.3 | * 20 | 120 | 0.032 | 8.2 | 3.7 | 5.5 | 9.1 |
| * 05 | 6.8 | 0.004 | 23.3 | 15.4 | 23.0 | 38.4 | * 21 | 150 | 0.036 | 7.8 | 3.3 | 4.9 | 8.2 |
| * 06 | 8.2 | 0.004 | 22.3 | 14.0 | 21.0 | 35.0 | * 22 | 180 | 0.039 | 7.4 | 3.0 | 4.5 | 7.5 |
| * 07 | 10 | 0.005 | 21.3 | 12.7 | 19.0 | 31.7 | * 23 | 220 | 0.043 | 7.1 | 2.7 | 4.0 | 6.7 |
| * 08 | 12 | 0.007 | 18.1 | 11.6 | 17.3 | 28.9 | * 24 | 270 | 0.048 | 6.7 | 2.4 | 3.7 | 6.1 |
| * 09 | 15 | 0.007 | 17.2 | 10.3 | 15.5 | 25.8 | * 25 | 330 | 0.053 | 6.4 | 2.2 | 3.3 | 5.5 |
| * 10 | 18 | 0.010 | 14.6 | 9.4 | 14.2 | 23.6 | * 26 | 390 | 0.058 | 6.1 | 2.0 | 3.0 | 5.1 |
| * 11 | 22 | 0.011 | 13.9 | 8.5 | 12.8 | 21.3 | * 27 | 470 | 0.063 | 5.8 | 1.8 | 2.8 | 4.6 |
| * 12 | 27 | 0.015 | 11.8 | 7.7 | 11.6 | 19.3 | * 28 | 560 | 0.068 | 5.6 | 1.7 | 2.5 | 4.2 |
| * 13 | 33 | 0.017 | 11.3 | 7.0 | 10.5 | 17.4 | | | | | | | |
| * 14 | 39 | 0.019 | 10.8 | 6.4 | 9.6 | 16.0 | | | | | | | |
| * 15 | 47 | 0.020 | 10.3 | 5.8 | 8.8 | 14.6 | | | | | | | |
| * 16 | 56 | 0.022 | 9.9 | 5.4 | 8.0 | 13.4 | | | | | | | |

CTP4561