

CTRJG Series 10/100/1000 Gigabit Ethernet RJ45 Integrated Modular Jack

CHARACTERISTICS

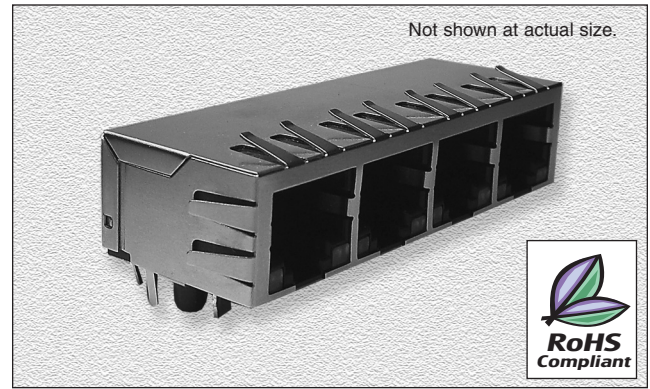
Options: 1x2, 1x4, 1x6, 1x8 & 2x1, 2x4, 2x6, 2x8 Port
 Meets or exceeds IEEE 802.3 standard for 10/100/1000 Base-TX
 Suitable for CAT 5 & 6 Fast Ethernet Cable of better UTP
 350 μH minimum OCL with 8mA DC bias current
 Available with or without LEDs
 Minimum 1500Vrms isolation per IEEE 802.3 requirement
 Operating temperature 0°C to +70°C
 Storage temperature -40°C to +85°C

RoHS Compliant

Transformer electrical specifications @ 25°C

MATERIAL SPECIFICATION

Metal Shell: Copper Alloy, Finish: 50μ" Nickel
Housing: Thermoplastic, UL 94V-0, Color Black
Insert: Thermoplastic, UL 94V-0, Color Black
 Contact Terminal / Phosphor Bronze, 15μ" Gold on Contact Area,
 100μ" Tin on Solder, Both over 50μ", Nickel Under-Plated
Coil Base: Phenolic/LCP, UL 94V-0, Color Black



PART NUMBER CONFIGURATION

Series	Size Code	Layers	Port (Each Layer)	LED (L/R)	Tab	Schematic
CTRJG	26	S = Single	1	N = None	N = N/A	1001A, 1002A
	29	D = Double	2	G = Green	D = Down	1003A, 1012A
	31		4	Y = Yellow	U = Up	1013A, 1012B
	33		6	O = Orange		1015B, 1223C
8					1224C, 1226C	
						1227C, 1013D
						1015D

Single Layer: **CTRJG 26 S 1 GY U 1001A**
 Double Layer: **CTRJG 31 D 1 GONN N 1013D**

LED CONFIGURATION

Schematic	Standard LED	Wavelength (λ)	V / IF= 20 mA		Image
			Max.	Typ.	
1001A 1002A 1003A 1012A 1013A	Yellow	585nm	2.5V	2.1V	Left LED: P14, P13 Right LED: P12, P11
	Green	570nm	2.5V	2.1V	
	Orange	605nm	2.5V	2.1V	
1012B 1015B	Yellow	585nm	2.5V	2.1V	Left LED: P12, P11 Right LED: P14, P13
	Green	570nm	2.5V	2.1V	
1223C 1224C 1226C 1227C	Yellow	585nm	2.5V	2.1V	Left LED: P16, P15 Right LED: P14, P13
	Green	570nm	2.5V	2.1V	
	Orange	605nm	2.5V	2.1V	
1013D 1015D	Green	570nm	2.5V	2.1V	LEDs: Green (P11), Orange (P12)
	Orange	605nm	2.5V	2.1V	

06.06.07

CTRJG Series

ORDERING INFO

Part Number	Turns Ratio TD1/2/3/4	EMI Fingers	LEDs (L/R)	LEDs (U/D)	Insertion Loss (dB max.)			Return Loss 100Ω ± 15Ω (dB min.)				Cross Talk (dB min.)			C.M.R. (dB min)		Hi-pot (Vrms) 60HZ/1 min.
					1-100 MHz	1-125 MHz	100-125 MHz	1-30 MHz	1-60 MHz	60-80 MHz	80-100 MHz	1-30 MHz	1-60 MHz	60-100 MHz	1-60 MHz	60-100 MHz	
CTRJG26S1GYU1001A	1CT:1CT	YES	G/Y	-	-	-1.2	-	-18	-16	-12	-10	-40	-35	-30	-40	-30	1500
CTRJG26S1GGU1001A	1CT:1CT	YES	G/G	-	-	-1.2	-	-18	-16	-12	-10	-40	-35	-30	-40	-30	1500
CTRJG26S1YGU1001A	1CT:1CT	YES	Y/G	-	-	-1.2	-	-18	-16	-12	-10	-40	-35	-30	-40	-30	1500
CTRJG26S1GYU1002A	1CT:1CT	YES	G/Y	-	-	-1.2	-	-18	-16	-12	-10	-40	-35	-30	-40	-30	1500
CTRJG26S1GGU1002A	1CT:1CT	YES	G/G	-	-	-1.2	-	-18	-16	-12	-10	-40	-35	-30	-40	-30	1500
CTRJG26S1YGU1002A	1CT:1CT	YES	Y/G	-	-	-1.2	-	-18	-16	-12	-10	-40	-35	-30	-40	-30	1500
CTRJG26S1GYU1003A	1CT:1CT	YES	G/Y	-	-	-1.2	-	-18	-16	-12	-10	-40	-35	-30	-40	-30	1500
CTRJG26S1GGU1003A	1CT:1CT	YES	G/G	-	-	-1.2	-	-18	-16	-12	-10	-40	-35	-30	-40	-30	1500
CTRJG26S1YGU1003A	1CT:1CT	YES	Y/G	-	-	-1.2	-	-18	-16	-12	-10	-40	-35	-30	-40	-30	1500
CTRJG26S1GYU1012A	1CT:1CT	YES	G/Y	-	-	-1.2	-	-18	-16	-12	-10	-40	-35	-30	-40	-30	1500
CTRJG26S1GGU1012A	1CT:1CT	YES	G/G	-	-	-1.2	-	-18	-16	-12	-10	-40	-35	-30	-40	-30	1500
CTRJG26S1YGU1012A	1CT:1CT	YES	Y/G	-	-	-1.2	-	-18	-16	-12	-10	-40	-35	-30	-40	-30	1500
CTRJG26S1GYU1013A	1CT:1CT	YES	G/Y	-	-	-1.2	-	-18	-16	-12	-10	-40	-35	-30	-40	-30	1500
CTRJG26S1GGU1013A	1CT:1CT	YES	G/G	-	-	-1.2	-	-18	-16	-12	-10	-40	-35	-30	-40	-30	1500
CTRJG26S1YGU1013A	1CT:1CT	YES	Y/G	-	-	-1.2	-	-18	-16	-12	-10	-40	-35	-30	-40	-30	1500
CTRJG26S2GYU1012B	1CT:1CT	-	G/Y	-	-1.0	-	-1.2	-18	-16	-12	-10	-40	-35	-30	-40	-30	1500
CTRJG26S2GGU1012B	1CT:1CT	-	G/G	-	-1.0	-	-1.2	-18	-16	-12	-10	-40	-35	-30	-40	-30	1500
CTRJG26S2YGU1012B	1CT:1CT	-	Y/G	-	-1.0	-	-1.2	-18	-16	-12	-10	-40	-35	-30	-40	-30	1500
CTRJG26S2GYU1015B	1CT:1CT	-	G/Y	-	-1.0	-	-1.2	-18	-16	-12	-10	-40	-35	-30	-40	-30	1500
CTRJG26S2GGU1015B	1CT:1CT	-	G/G	-	-1.0	-	-1.2	-18	-16	-12	-10	-40	-35	-30	-40	-30	1500
CTRJG26S2YGU1015B	1CT:1CT	-	Y/G	-	-1.0	-	-1.2	-18	-16	-12	-10	-40	-35	-30	-40	-30	1500
CTRJG26S4GYU1012B	1CT:1CT	-	G/Y	-	-1.0	-	-1.2	-18	-16	-12	-10	-40	-35	-30	-40	-30	1500
CTRJG26S4GGU1012B	1CT:1CT	-	G/G	-	-1.0	-	-1.2	-18	-16	-12	-10	-40	-35	-30	-40	-30	1500
CTRJG26S4YGU1012B	1CT:1CT	-	Y/G	-	-1.0	-	-1.2	-18	-16	-12	-10	-40	-35	-30	-40	-30	1500
CTRJG26S4GYU1015B	1CT:1CT	-	G/Y	-	-1.0	-	-1.2	-18	-16	-12	-10	-40	-35	-30	-40	-30	1500
CTRJG26S4GGU1015B	1CT:1CT	-	G/G	-	-1.0	-	-1.2	-18	-16	-12	-10	-40	-35	-30	-40	-30	1500
CTRJG26S4YGU1015B	1CT:1CT	-	Y/G	-	-1.0	-	-1.2	-18	-16	-12	-10	-40	-35	-30	-40	-30	1500
CTRJG26S6GYU1012B	1CT:1CT	-	G/Y	-	-1.0	-	-1.2	-18	-16	-12	-10	-40	-35	-30	-40	-30	1500
CTRJG26S6GGU1012B	1CT:1CT	-	G/G	-	-1.0	-	-1.2	-18	-16	-12	-10	-40	-35	-30	-40	-30	1500
CTRJG26S6YGU1012B	1CT:1CT	-	Y/G	-	-1.0	-	-1.2	-18	-16	-12	-10	-40	-35	-30	-40	-30	1500
CTRJG26S6GYU1015B	1CT:1CT	-	G/Y	-	-1.0	-	-1.2	-18	-16	-12	-10	-40	-35	-30	-40	-30	1500
CTRJG26S6GGU1015B	1CT:1CT	-	G/G	-	-1.0	-	-1.2	-18	-16	-12	-10	-40	-35	-30	-40	-30	1500
CTRJG26S6YGU1015B	1CT:1CT	-	Y/G	-	-1.0	-	-1.2	-18	-16	-12	-10	-40	-35	-30	-40	-30	1500
CTRJG26S8GYU1012B	1CT:1CT	-	G/Y	-	-1.0	-	-1.2	-18	-16	-12	-10	-40	-35	-30	-40	-30	1500
CTRJG26S8GGU1012B	1CT:1CT	-	G/G	-	-1.0	-	-1.2	-18	-16	-12	-10	-40	-35	-30	-40	-30	1500
CTRJG26S8YGU1012B	1CT:1CT	-	Y/G	-	-1.0	-	-1.2	-18	-16	-12	-10	-40	-35	-30	-40	-30	1500
CTRJG26S8GYU1015B	1CT:1CT	-	G/Y	-	-1.0	-	-1.2	-18	-16	-12	-10	-40	-35	-30	-40	-30	1500
CTRJG26S8GGU1015B	1CT:1CT	-	G/G	-	-1.0	-	-1.2	-18	-16	-12	-10	-40	-35	-30	-40	-30	1500
CTRJG26S8YGU1015B	1CT:1CT	-	Y/G	-	-1.0	-	-1.2	-18	-16	-12	-10	-40	-35	-30	-40	-30	1500
CTRJG33S1GYU1223C	1CT:1CT	YES	G/Y	-	-	-1.2	-	-18	-16	-12	-10	-40	-35	-30	-40	-30	1500
CTRJG33S1GGU1223C	1CT:1CT	YES	G/G	-	-	-1.2	-	-18	-16	-12	-10	-40	-35	-30	-40	-30	1500
CTRJG33S1YGU1223C	1CT:1CT	YES	Y/G	-	-	-1.2	-	-18	-16	-12	-10	-40	-35	-30	-40	-30	1500
CTRJG33S1GYU1224C	1CT:1CT	YES	G/Y	-	-	-1.2	-	-18	-16	-12	-10	-40	-35	-30	-40	-30	1500
CTRJG33S1GGU1224C	1CT:1CT	YES	G/G	-	-	-1.2	-	-18	-16	-12	-10	-40	-35	-30	-40	-30	1500
CTRJG33S1YGU1224C	1CT:1CT	YES	G/G	-	-	-1.2	-	-18	-16	-12	-10	-40	-35	-30	-40	-30	1500
CTRJG33S1GYU1226C	1CT:1CT	YES	G/Y	-	-	-1.2	-	-18	-16	-12	-10	-40	-35	-30	-40	-30	1500
CTRJG33S1GGU1226C	1CT:1CT	YES	G/G	-	-	-1.2	-	-18	-16	-12	-10	-40	-35	-30	-40	-30	1500
CTRJG33S1YGU1226C	1CT:1CT	YES	Y/G	-	-	-1.2	-	-18	-16	-12	-10	-40	-35	-30	-40	-30	1500
CTRJG33S1GYU1227C	1CT:1CT	YES	G/Y	-	-	-1.2	-	-18	-16	-12	-10	-40	-35	-30	-40	-30	1500
CTRJG33S1GGU1227C	1CT:1CT	YES	G/G	-	-	-1.2	-	-18	-16	-12	-10	-40	-35	-30	-40	-30	1500
CTRJG33S1YGU1227C	1CT:1CT	YES	Y/G	-	-	-1.2	-	-18	-16	-12	-10	-40	-35	-30	-40	-30	1500
CTRJG33S1GYU1227C	1CT:1CT	YES	GY/G	-	-	-1.2	-	-18	-16	-12	-10	-40	-35	-30	-40	-30	1500
CTRJG29D1NNN1013D	1CT:1CT	-	-	N/N	-1.0	-	-1.2	-18	-16	-12	-10	-40	-35	-30	-40	-30	1500
CTRJG29D4NNN1013D	1CT:1CT	-	-	N/N	-1.0	-	-1.2	-18	-16	-12	-10	-40	-35	-30	-40	-30	1500
CTRJG29D6NNN1013D	1CT:1CT	-	-	N/N	-1.0	-	-1.2	-18	-16	-12	-10	-40	-35	-30	-40	-30	1500
CTRJG29D8NNN1013D	1CT:1CT	-	-	N/N	-1.0	-	-1.2	-18	-16	-12	-10	-40	-35	-30	-40	-30	1500
CTRJG29D1NNN1015D	1CT:1CT	-	-	N/N	-1.0	-	-1.2	-18	-16	-12	-10	-40	-35	-30	-40	-30	1500
CTRJG29D4NNN1015D	1CT:1CT	-	-	N/N	-1.0	-	-1.2	-18	-16	-12	-10	-40	-35	-30	-40	-30	1500
CTRJG29D6NNN1015D	1CT:1CT	-	-	N/N	-1.0	-	-1.2	-18	-16	-12	-10	-40	-35	-30	-40	-30	1500
CTRJG29D8NNN1015D	1CT:1CT	-	-	N/N	-1.0	-	-1.2	-18	-16	-12	-10	-40	-35	-30	-40	-30	1500
CTRJG31D1GONN1013D	1CT:1CT	-	-	GO/N	-1.0	-	-1.2	-18	-16	-12	-10	-40	-35	-30	-40	-30	1500
CTRJG31D4GONN1013D	1CT:1CT	-	-	GO/N	-1.0	-	-1.2	-18	-16	-12	-10	-40	-35	-30	-40	-30	1500
CTRJG31D6GONN1013D	1CT:1CT	-	-	GO/N	-1.0	-	-1.2	-18	-16	-12	-10	-40	-35	-30	-40	-30	1500
CTRJG31D8GONN1013D	1CT:1CT	-	-	GO/N	-1.0	-	-1.2	-18	-16	-12	-10	-40	-35	-30	-40	-30	1500
CTRJG31D1GONN1015D	1CT:1CT	-	-	GO/N	-1.0	-	-1.2	-18	-16	-12	-10	-40	-35	-30	-40	-30	1500
CTRJG31D4GONN1015D	1CT:1CT	-	-	GO/N	-1.0	-	-1.2	-18	-16	-12	-10	-40	-35	-30	-40	-30	1500
CTRJG31D6GONN1015D	1CT:1CT	-	-	GO/N	-1.0	-	-1.2	-18	-16	-12	-10	-40	-35	-30	-40	-30	1500
CTRJG31D8GONN1015D	1CT:1CT	-	-	GO/N	-1.0	-	-1.2	-18	-16	-12	-10	-40	-35	-30	-40	-30	1500

06.06.07



Manufacturer of Passive and Discrete Semiconductor Components

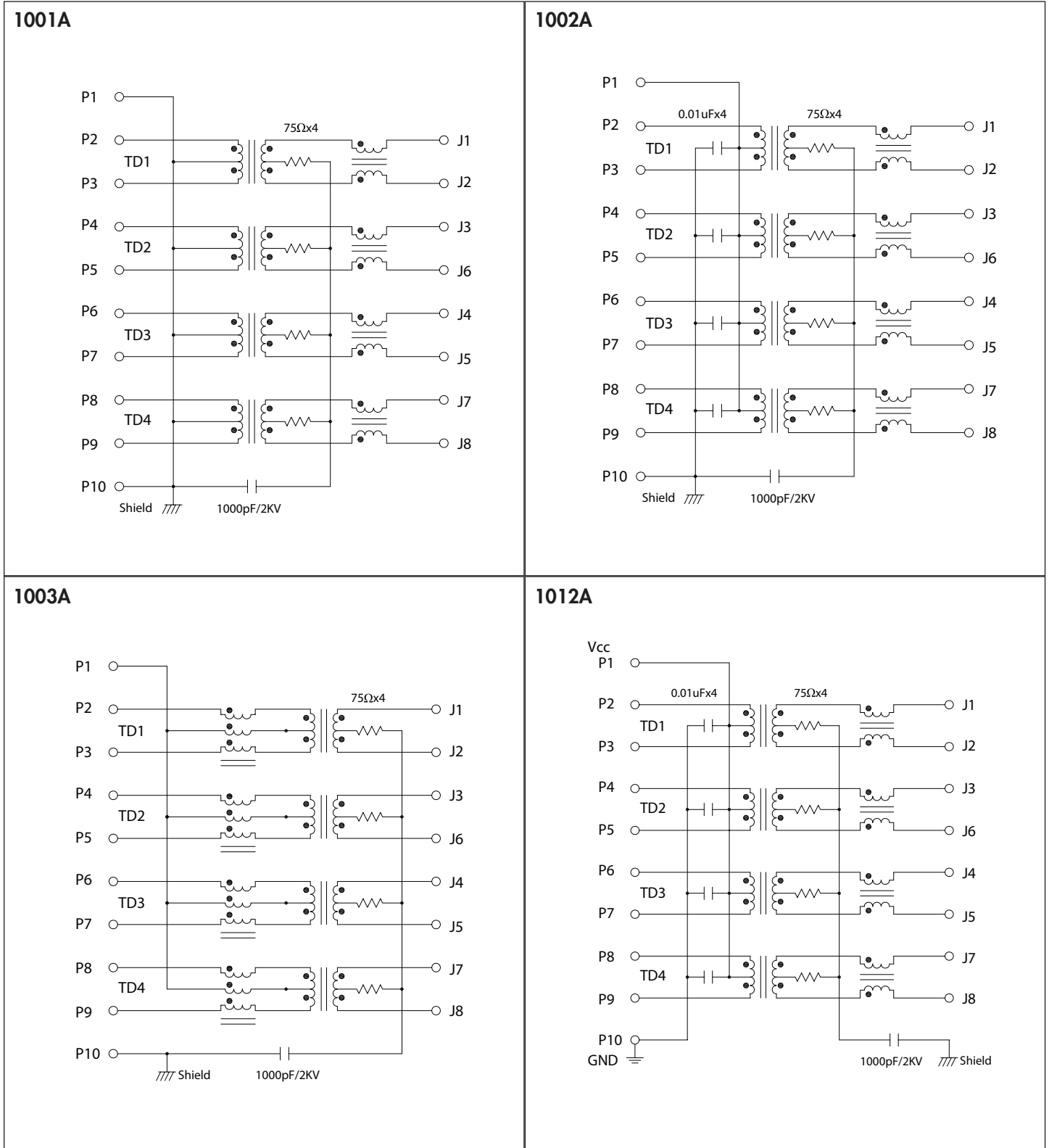
800-684-5322 Inside US **949-453-1811** Outside US

Copyright © 2006 by CT Magnetics, DBA Central Technologies. All rights reserved.

CT Magnetics reserves the right to make improvements or change specifications without notice

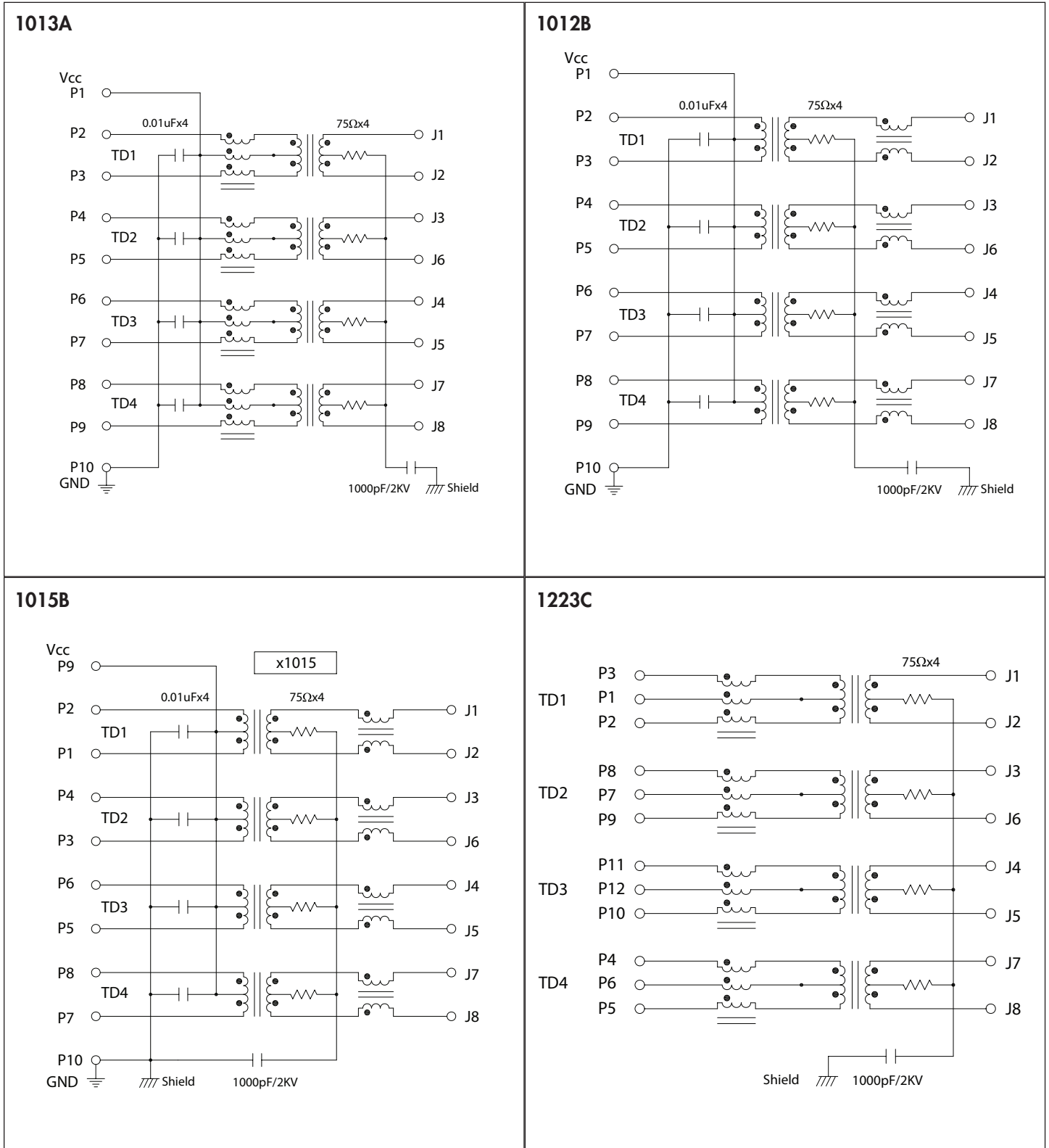
CTRJG Series

SCHEMATICS



06.06.07

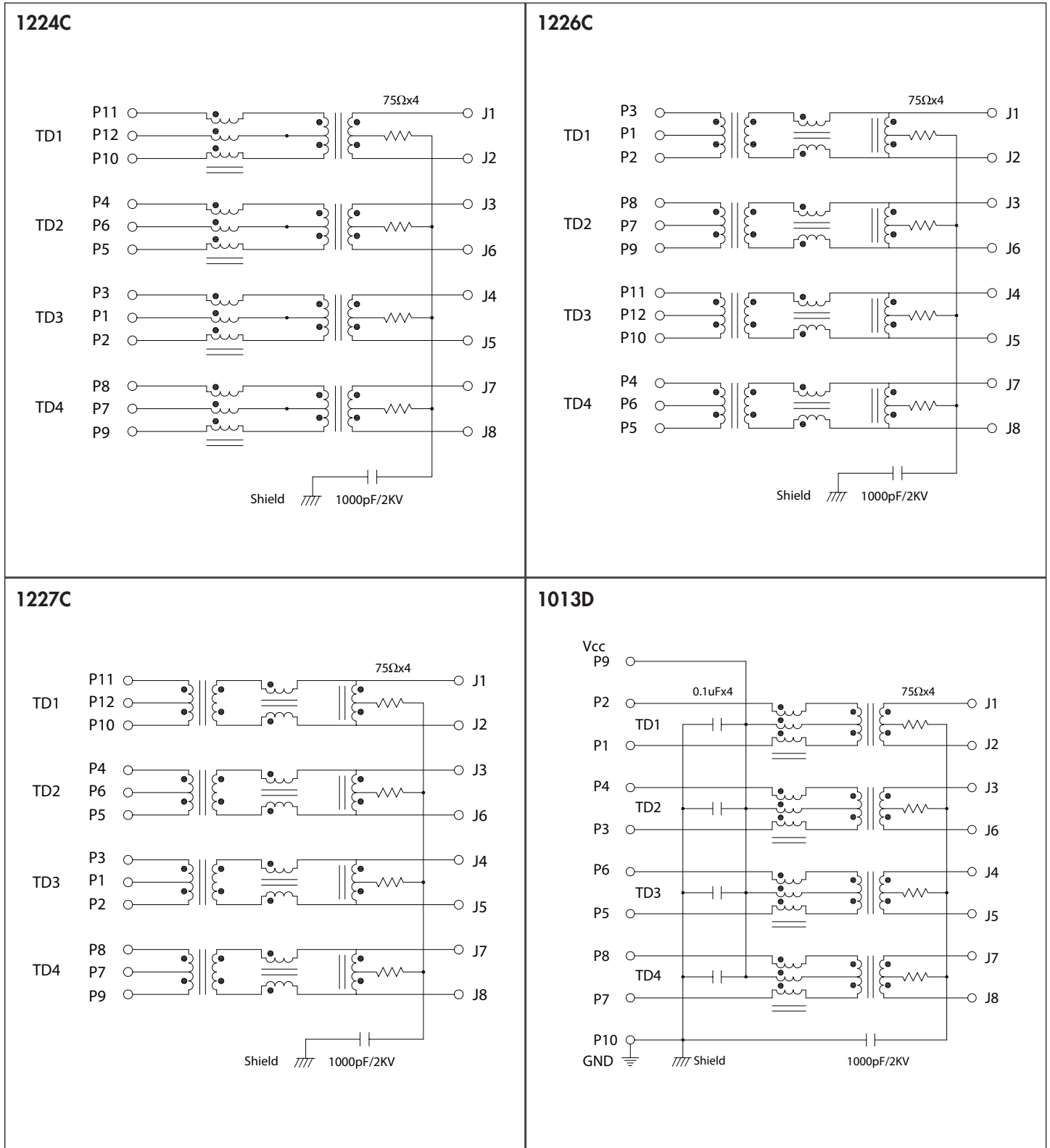
SCHEMATICS



06.06.07

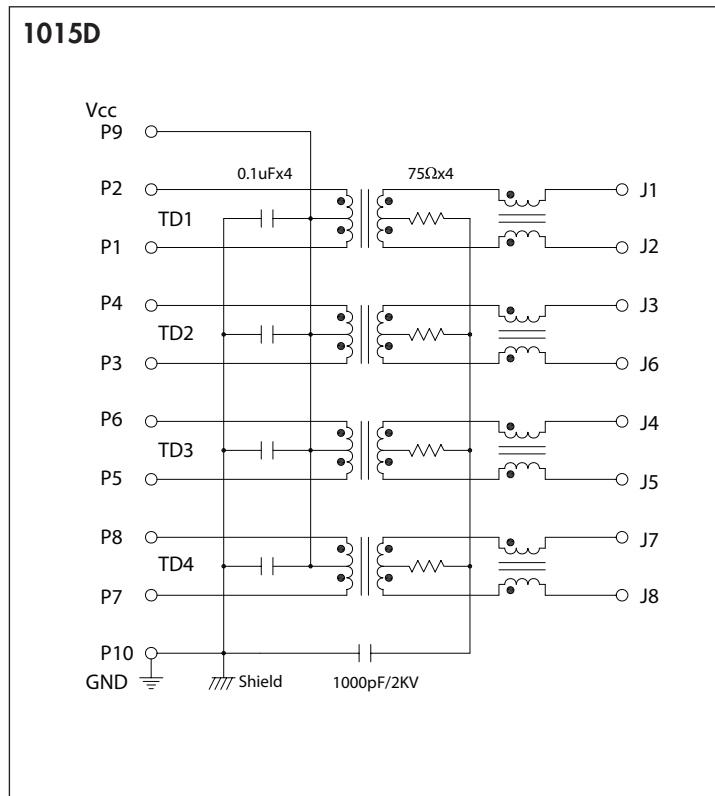
CTRJG Series

SCHEMATICS



06.06.07

SCHEMATICS

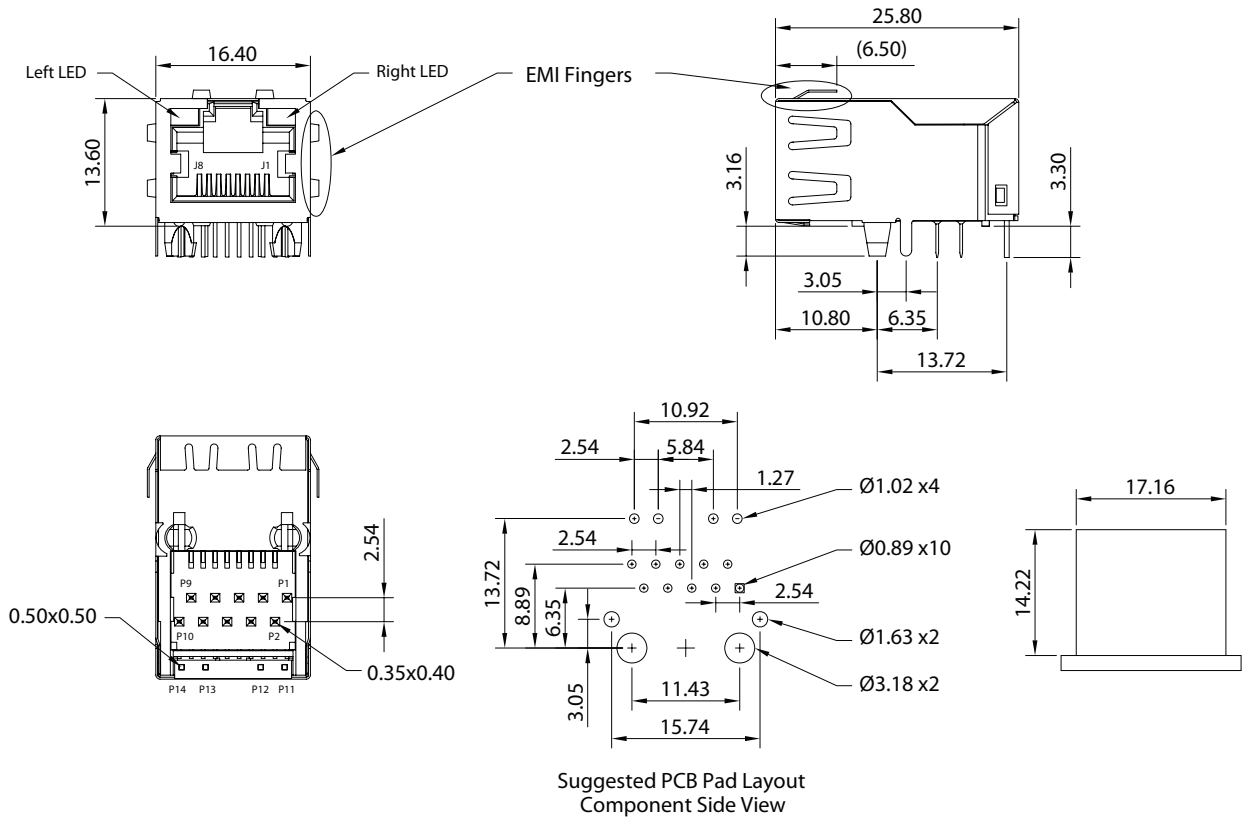


06.06.07

CTRJG Series

MECHANICAL

CTRJG26S1xxxxxxx



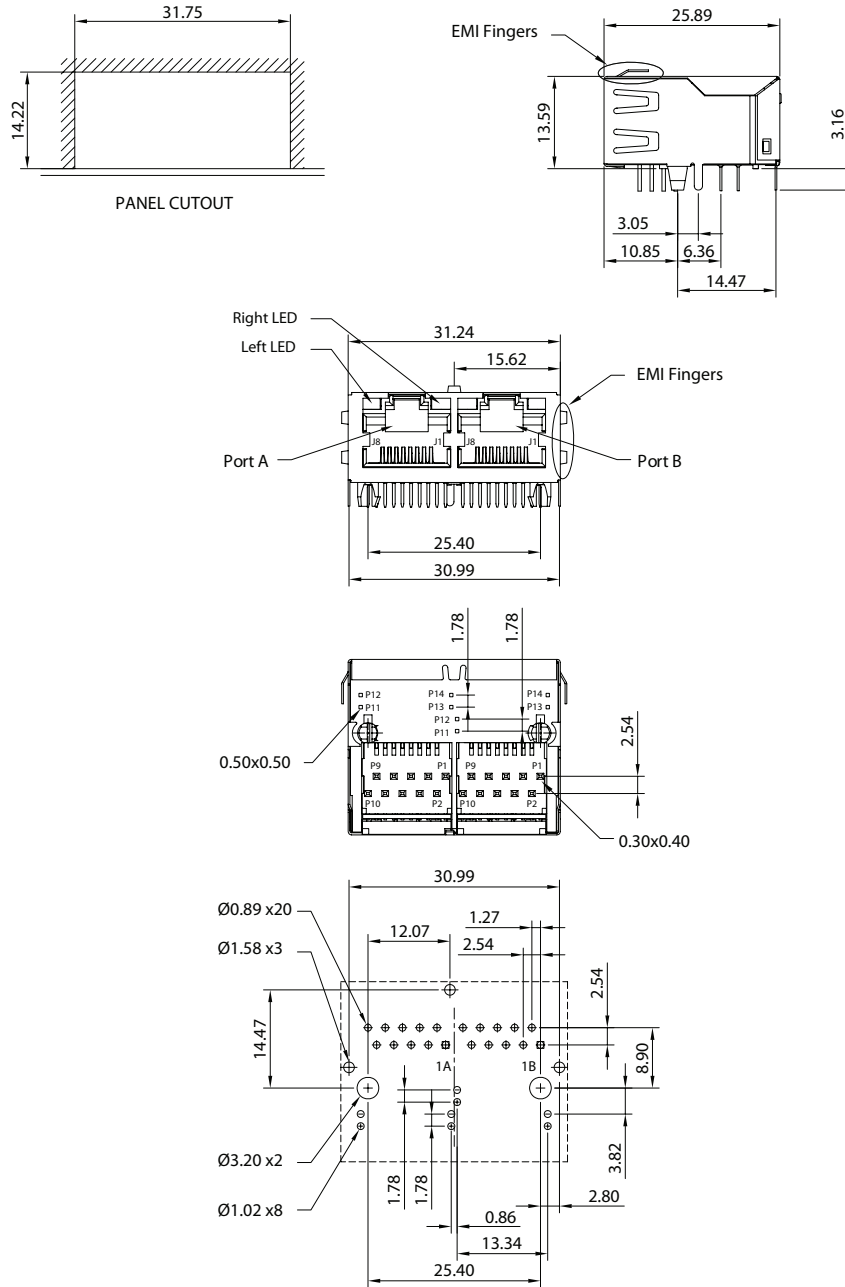
- NOTES : 1. Tolerance : PCB $\pm 0.05\text{mm}$
 Connector $\pm 0.25\text{mm}$
 2. Connector dimensions comply with FCC 68.5 dimension requirements

06.06.07

CTRJG Series

MECHANICAL

CTRJG26S2xxxxxxx



Suggested PCB Pad Layout
Component Side View

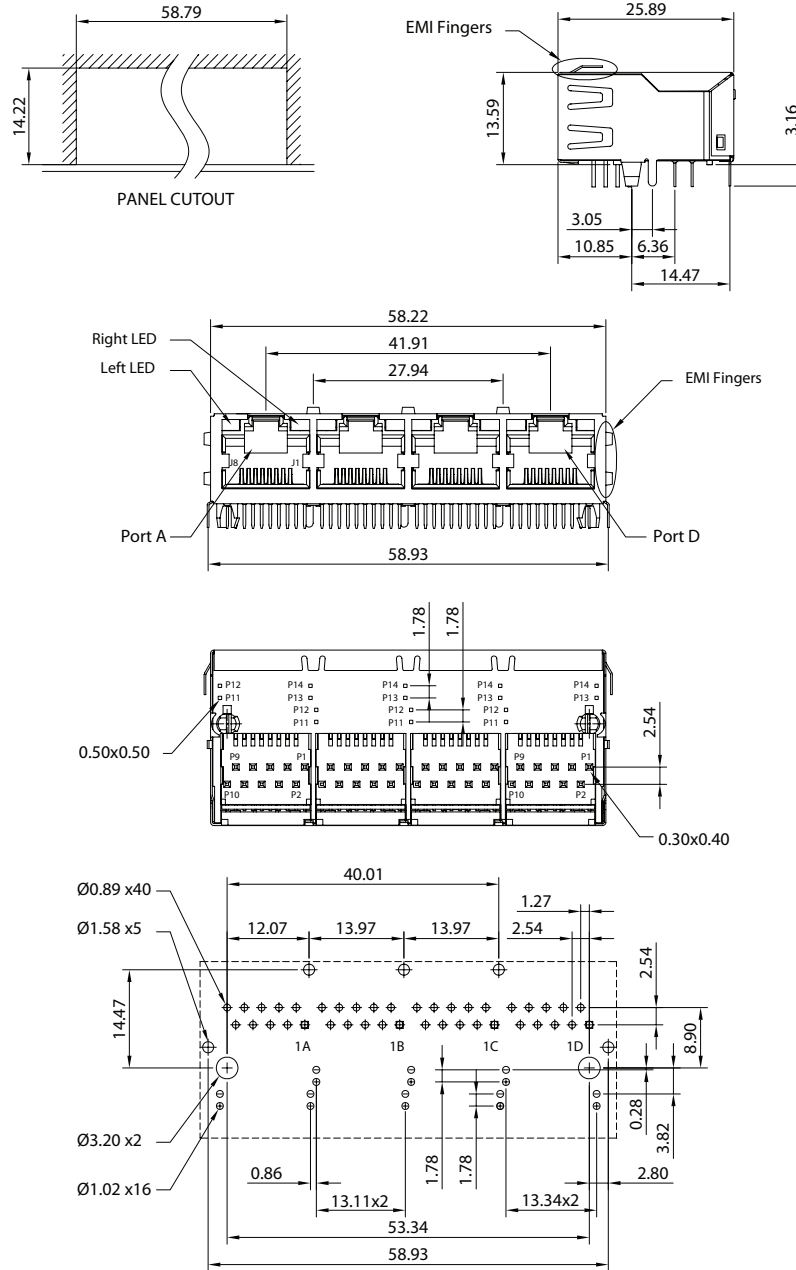
- NOTES : 1. Tolerance : PCB $\pm 0.05\text{mm}$
 Connector $\pm 0.25\text{mm}$
 2. Connector dimensions comply with FCC 68.5 dimension requirements

06.06.07

CTRJG Series

MECHANICAL

CTRJG26S4xxxxxxx



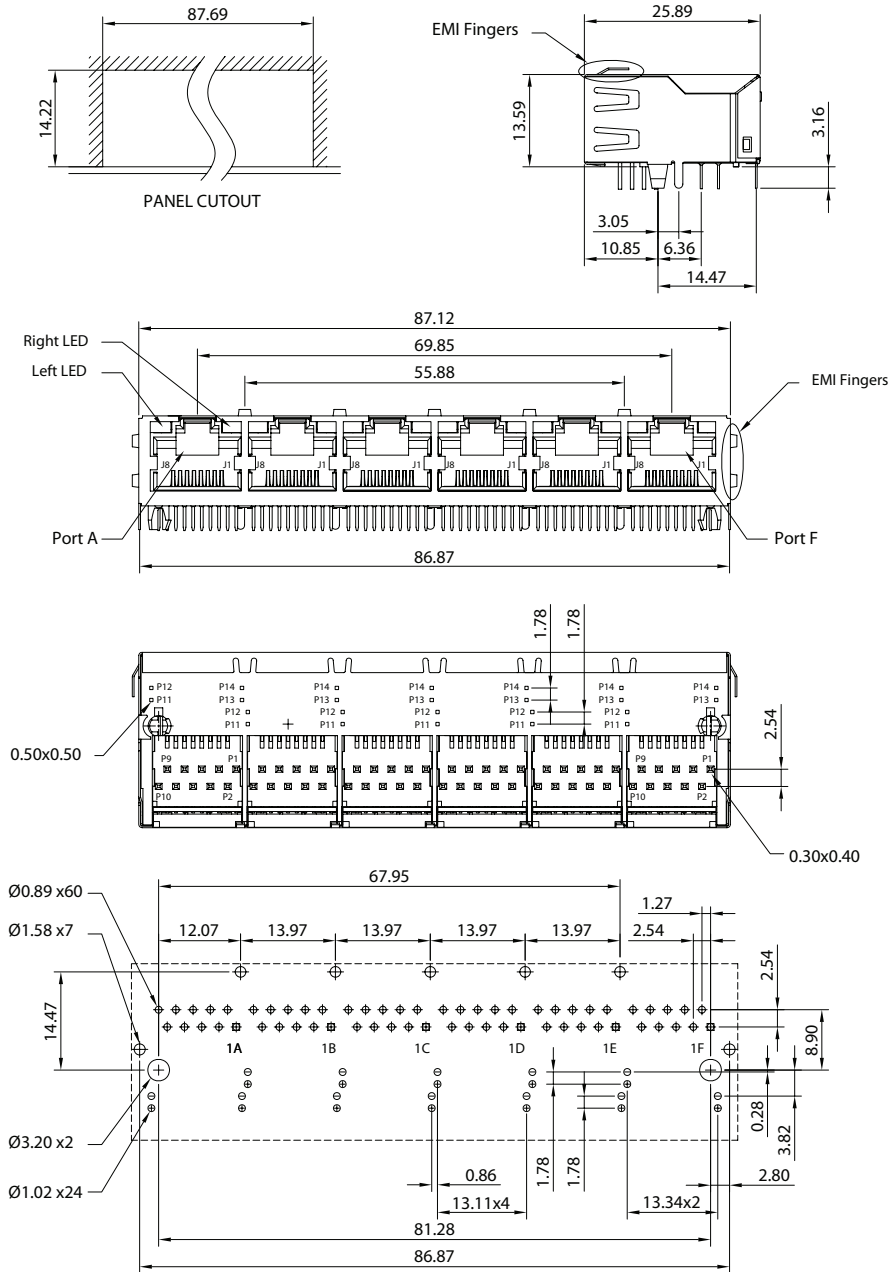
Suggested PCB Pad Layout
Component Side View

- NOTES : 1. Tolerance : PCB $\pm 0.05\text{mm}$
 Connector $\pm 0.25\text{mm}$
 2. Connector dimensions comply with FCC 68.5 dimension requirements

06.06.07

MECHANICAL

CTRJG26S6xxxxxxx



Suggested PCB Pad Layout
Component Side View

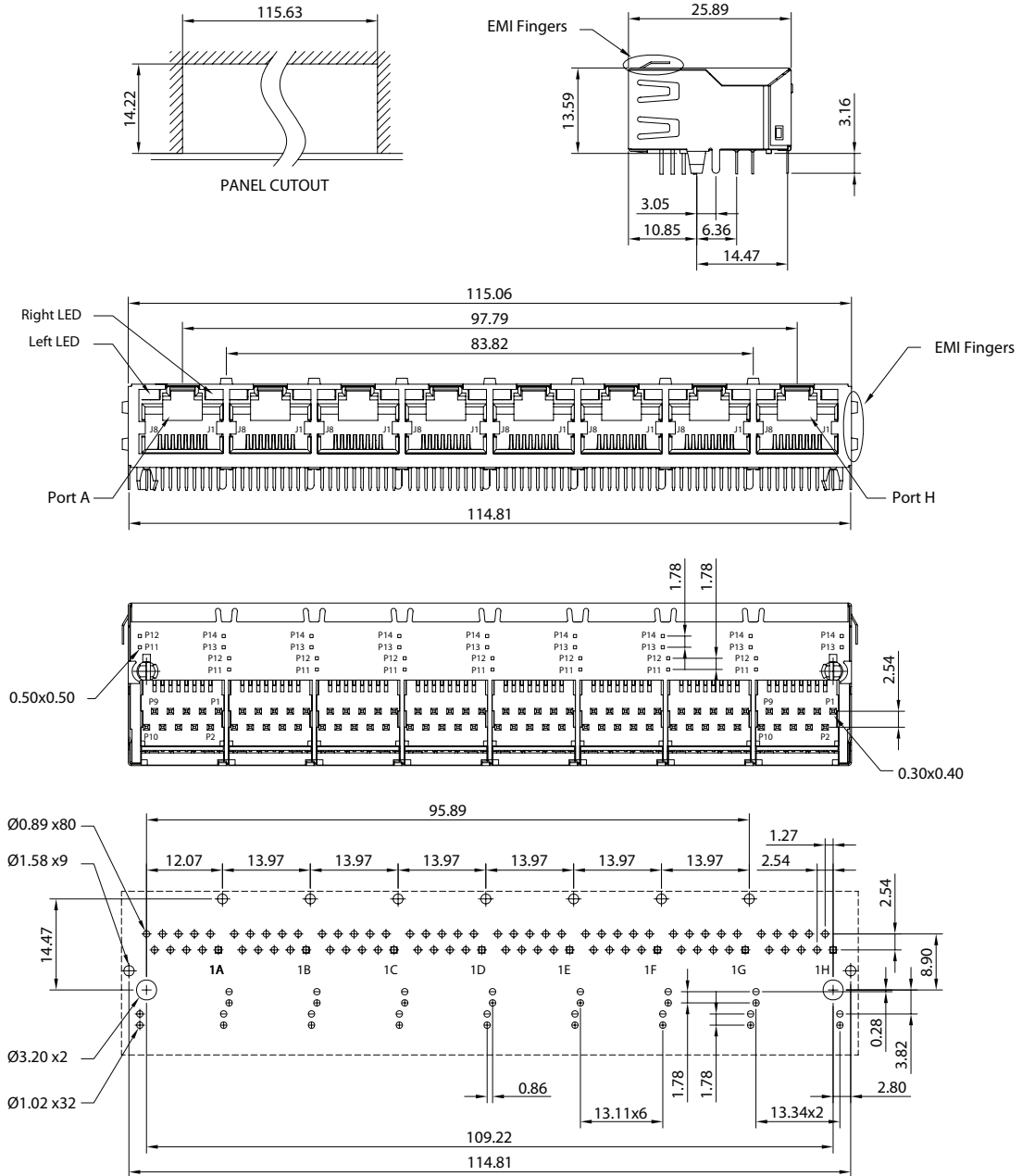
- NOTES : 1. Tolerance : PCB $\pm 0.05\text{mm}$
 Connector $\pm 0.25\text{mm}$
 2. Connector dimensions comply with FCC 68.5 dimension requirements

06.06.07

CTRJG Series

MECHANICAL

CTRJG26S8xxxxxxx



Suggested PCB Pad Layout
Component Side View

- NOTES : 1. Tolerance : PCB $\pm 0.05\text{mm}$
 Connector $\pm 0.25\text{mm}$
 2. Connector dimensions comply with FCC 68.5 dimension requirements

06.06.07



Manufacturer of Passive and Discrete Semiconductor Components
800-684-5322 Inside US **949-453-1811** Outside US

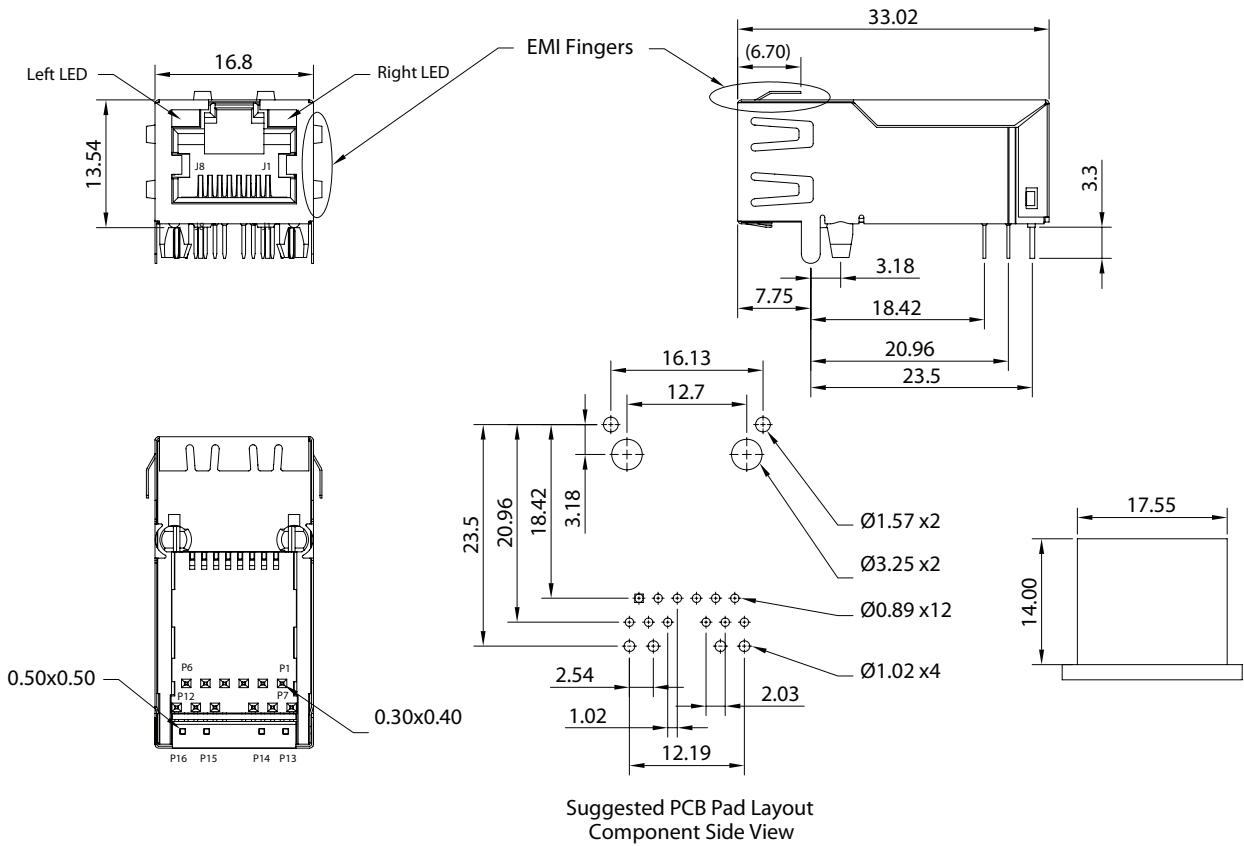
Copyright © 2006 by CT Magnetics, DBA Central Technologies. All rights reserved.

CT Magnetics reserves the right to make improvements or change specifications without notice

CTRJG Series

MECHANICAL

CTRJG3351xxxxxxx



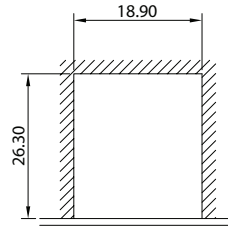
- NOTES : 1. Tolerance : PCB ± 0.05 mm
 Connector ± 0.25 mm
 2. Connector dimensions comply with FCC 68.5 dimension requirements

06.06.07

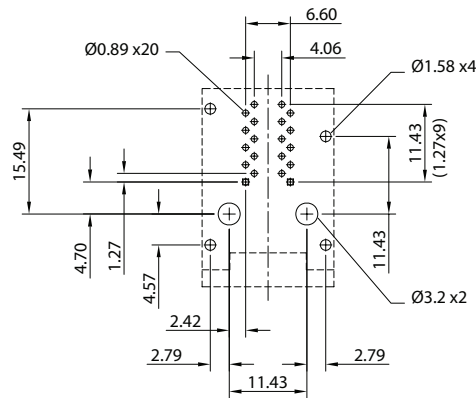
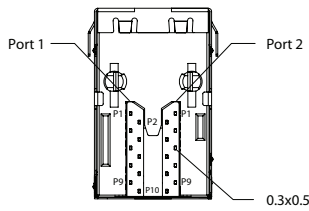
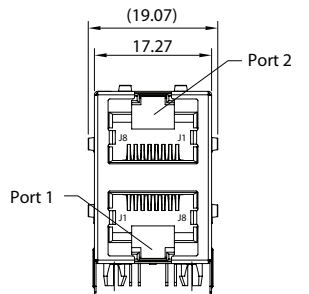
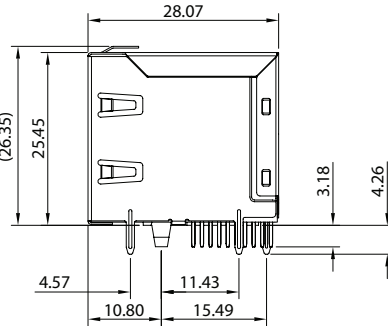
CTRJG Series

MECHANICAL

CTRJG29D1xxxxxxx



PANEL CUT OUT



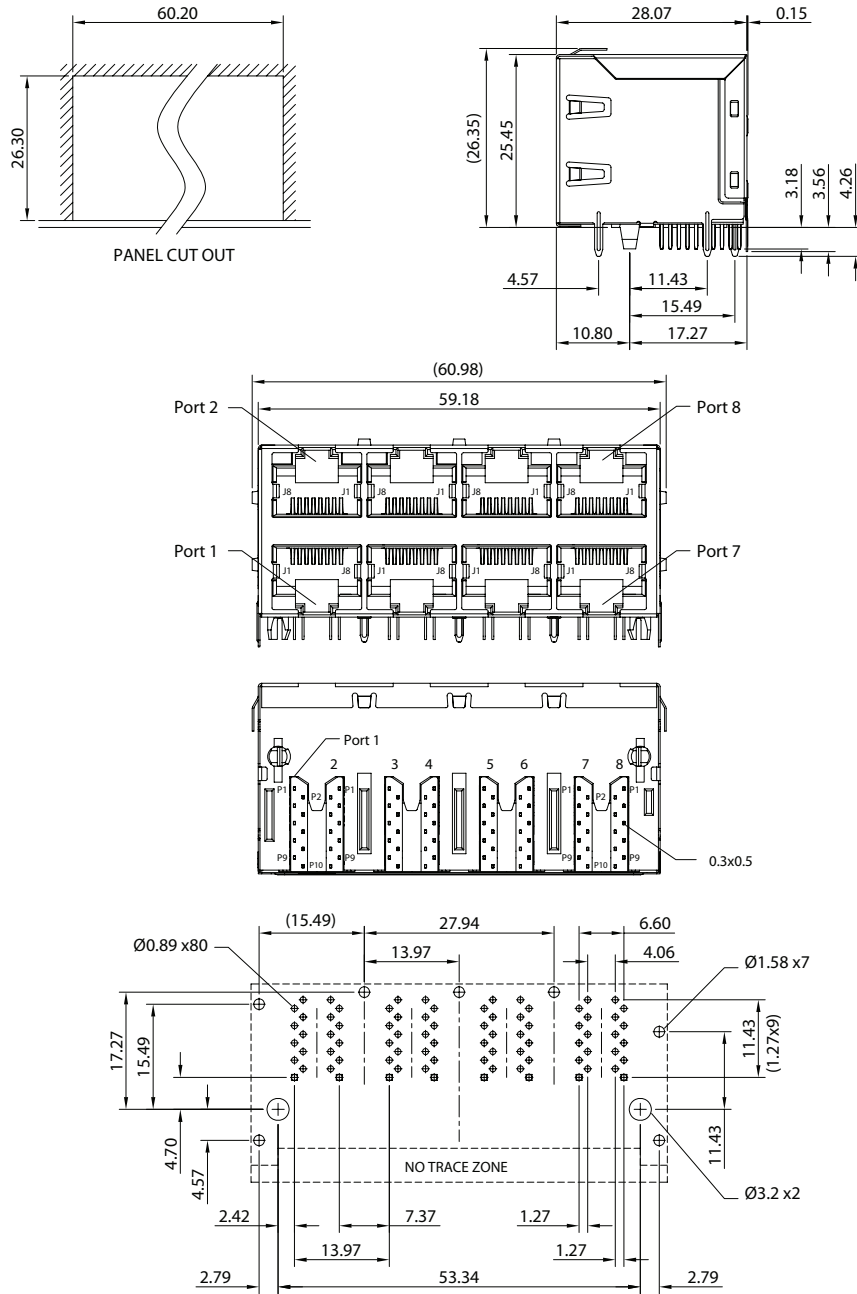
Suggested PCB Pad Layout
Component Side View

- NOTES : 1. Tolerance : PCB $\pm 0.05\text{mm}$
 Connector $\pm 0.25\text{mm}$
 2. Connector dimensions comply with FCC 68.5 dimension requirements

06.06.07

MECHANICAL

CTRJG29D4xxxxxxx



Suggested PCB Pad Layout
Component Side View

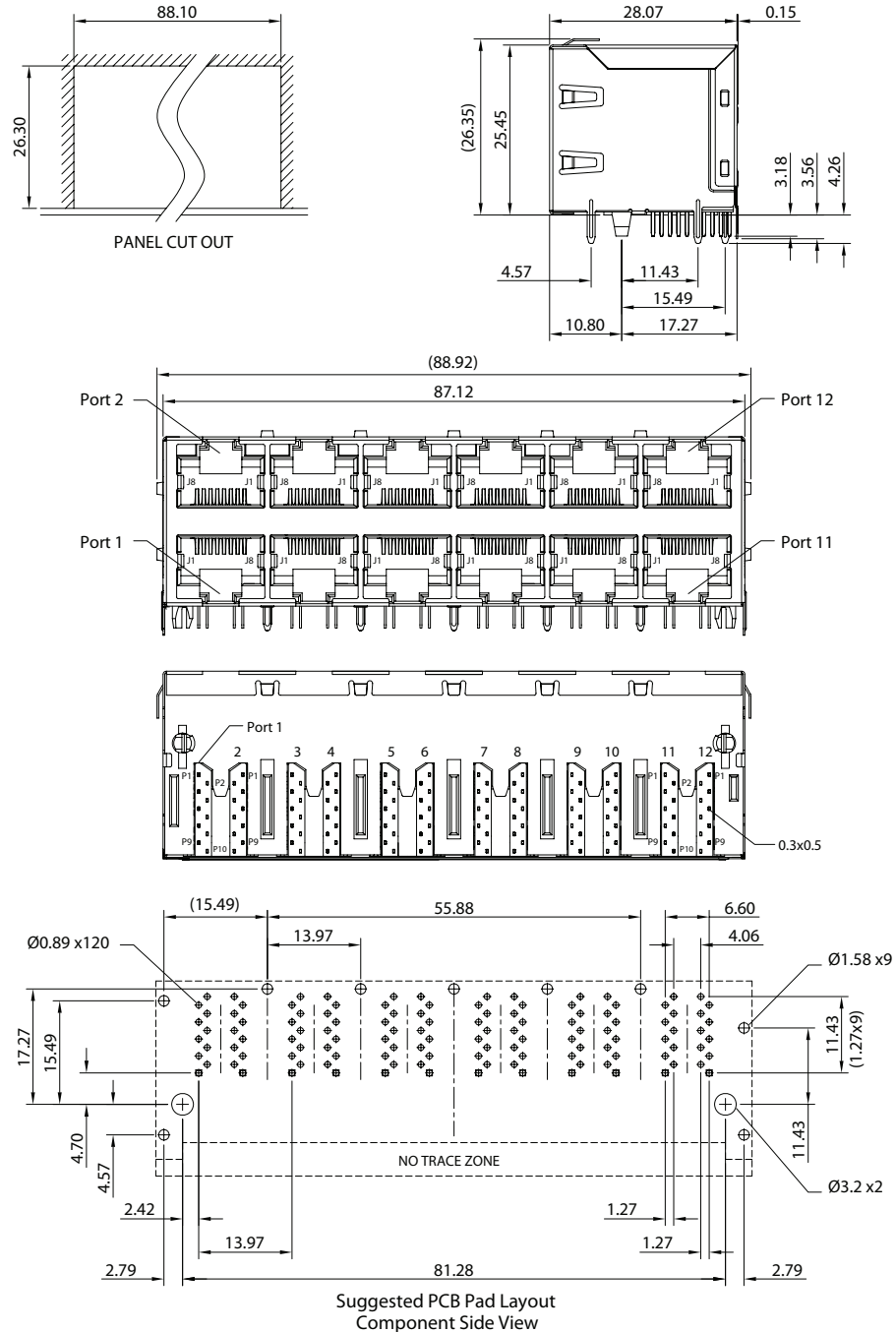
- NOTES : 1. Tolerance : PCB ±0.05mm
Connector ±0.25mm
2. Connector dimensions comply with FCC 68.5 dimension requirements

06.06.07

CTRJG Series

MECHANICAL

CTRJG29D6xxxxxxx



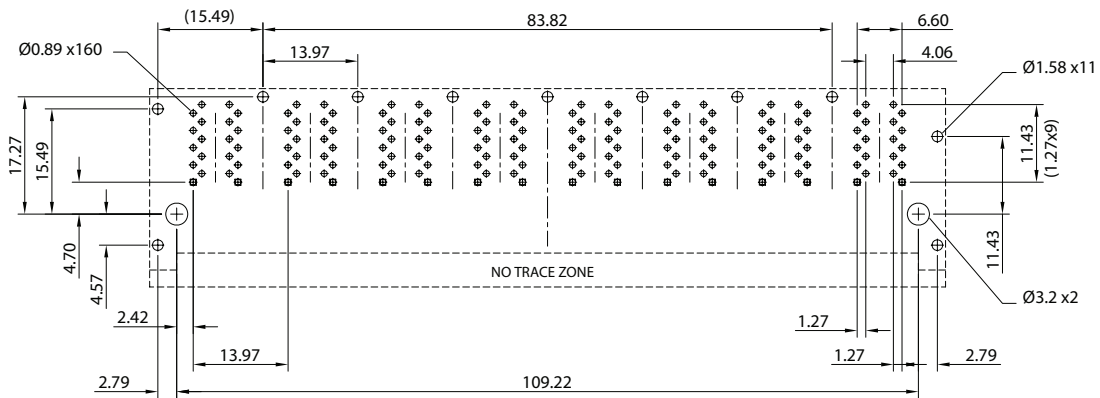
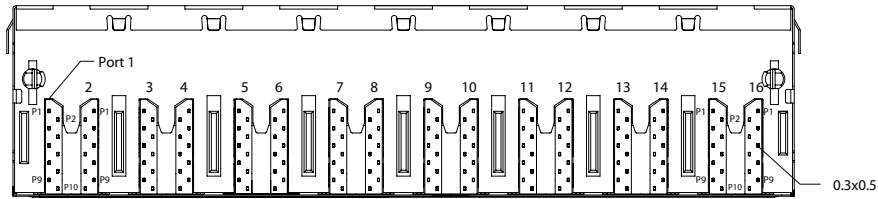
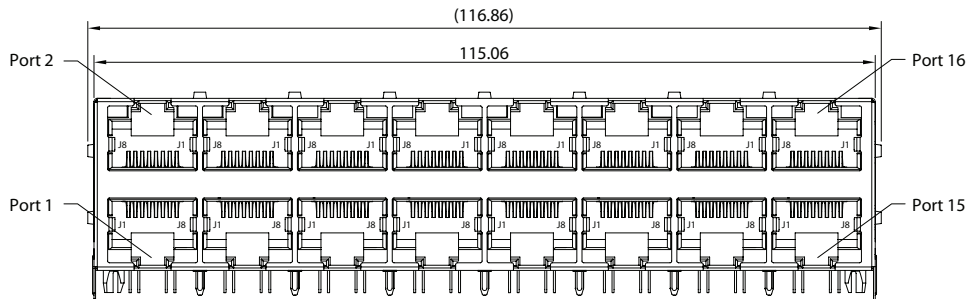
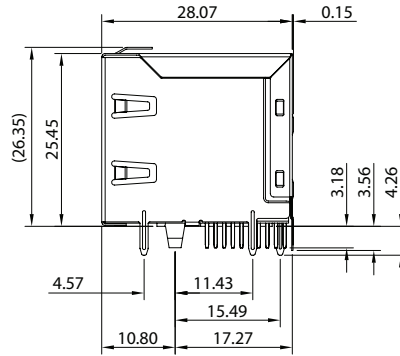
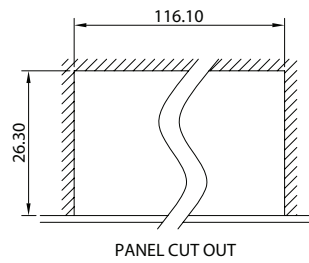
- NOTES : 1. Tolerance : PCB ± 0.05 mm
 Connector ± 0.25 mm
 2. Connector dimensions comply with FCC 68.5 dimension requirements

06.06.07

CTRJG Series

MECHANICAL

CTRJG29D8xxxxxxx



Suggested PCB Pad Layout
Component Side View

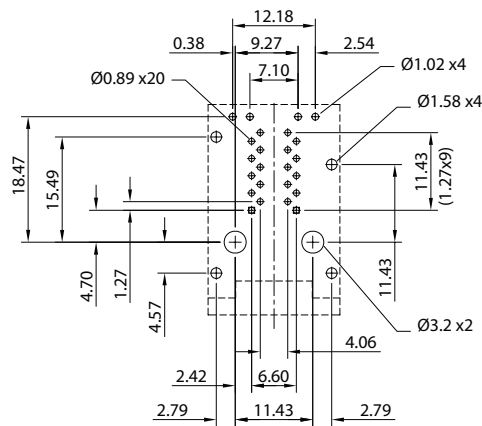
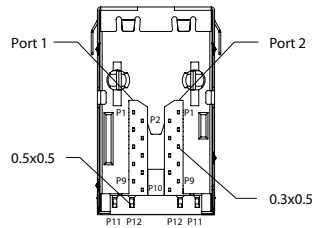
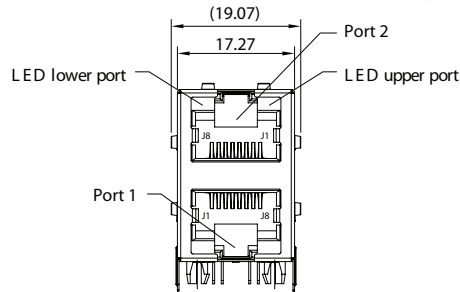
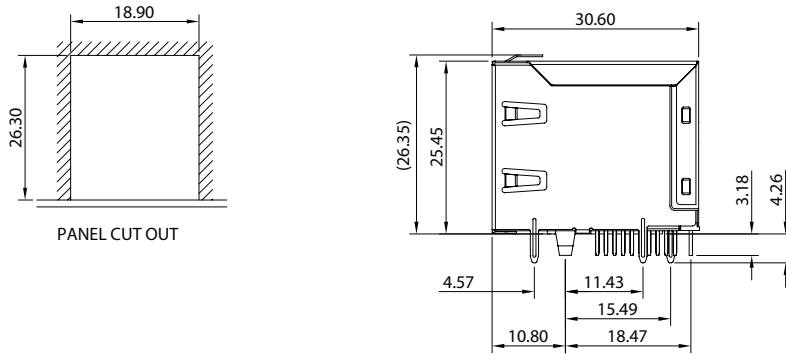
- NOTES : 1. Tolerance : PCB $\pm 0.05\text{mm}$
Connector $\pm 0.25\text{mm}$
2. Connector dimensions comply with FCC 68.5 dimension requirements

06.06.07

CTRJG Series

MECHANICAL

CTRJG31D1xxxxxx



Suggested PCB Pad Layout
Component Side View

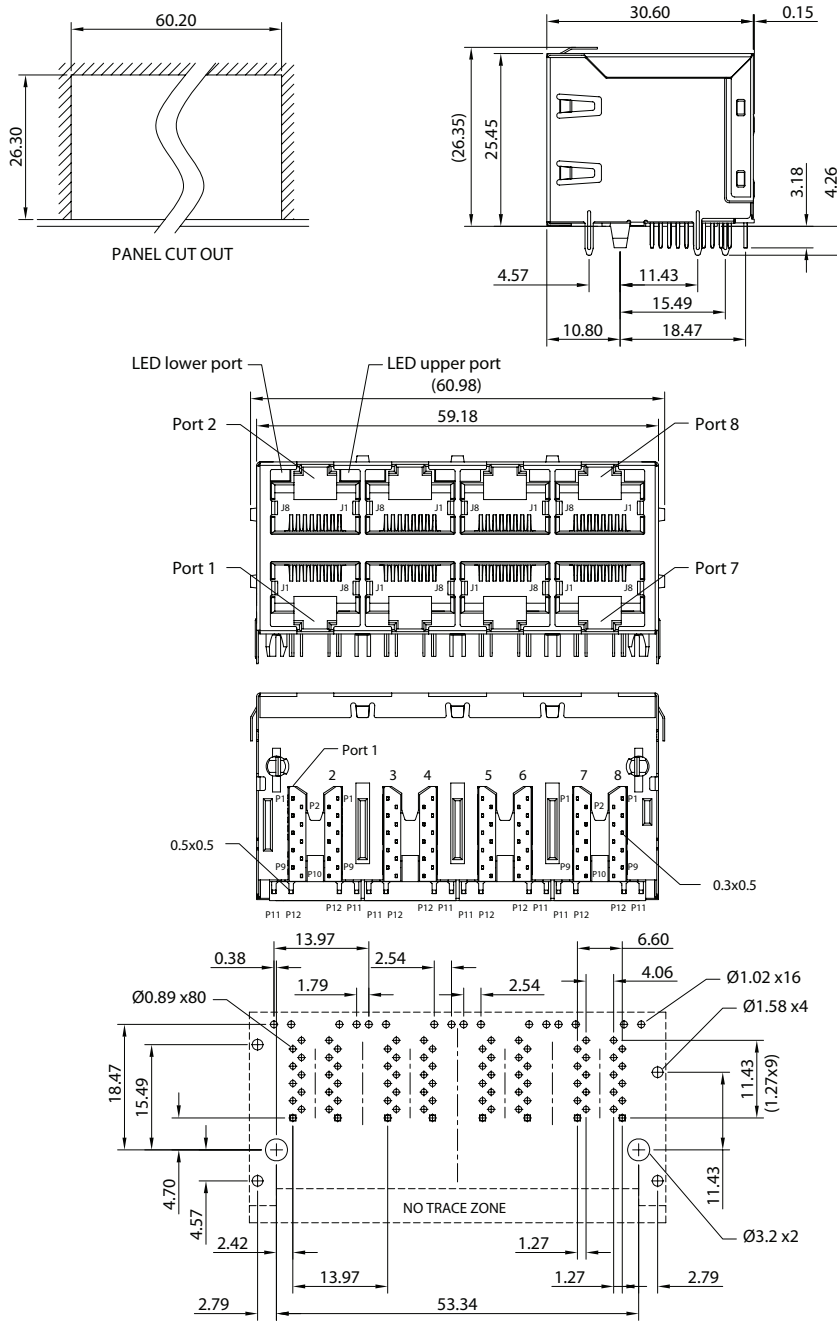
- NOTES : 1. Tolerance : PCB $\pm 0.05\text{mm}$
 Connector $\pm 0.25\text{mm}$
 2. Connector dimensions comply with FCC 68.5 dimension requirements

06.06.07

CTRJG Series

MECHANICAL

CTRJG31D4xxxxxxx



Suggested PCB Pad Layout
Component Side View

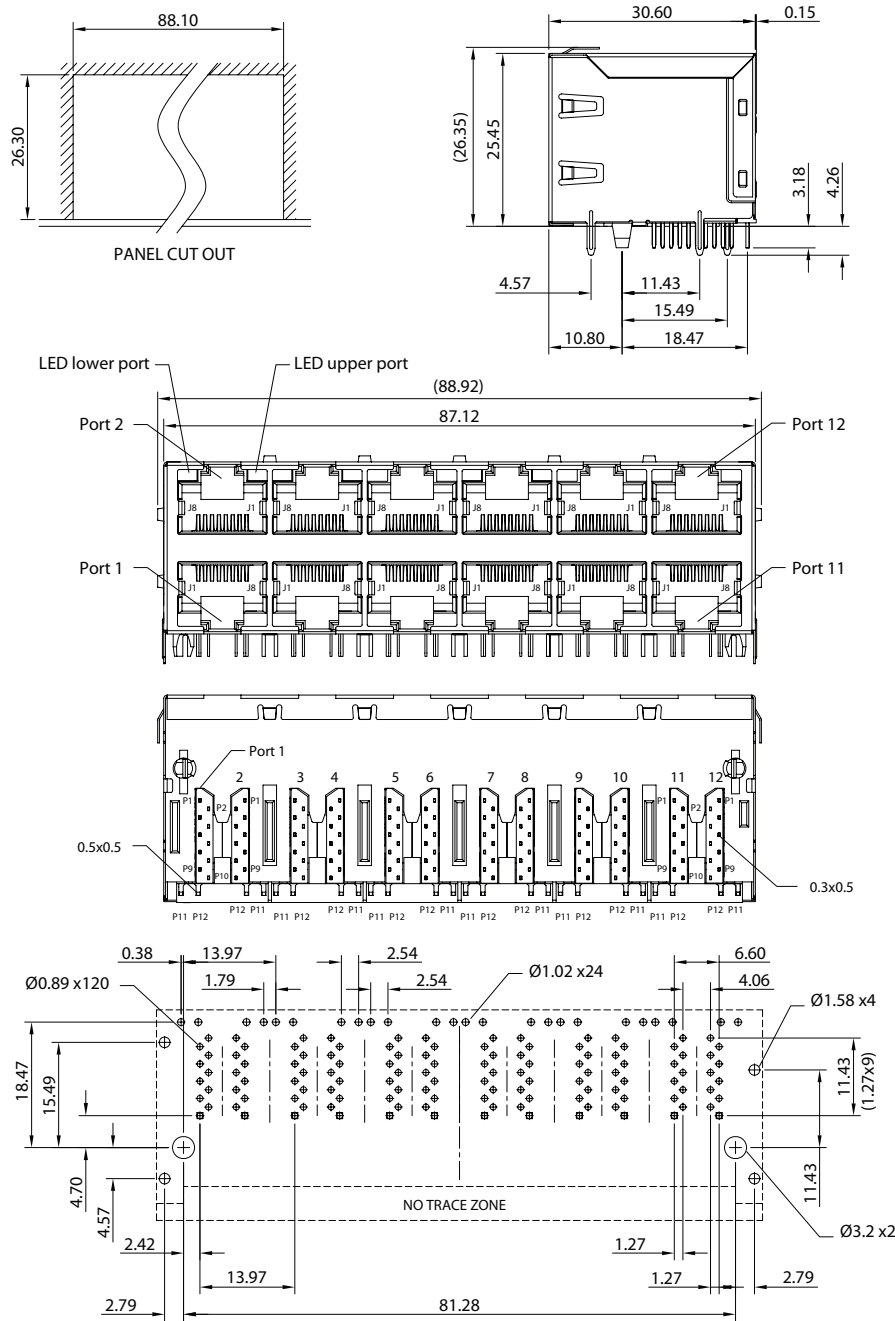
- NOTES : 1. Tolerance : PCB $\pm 0.05\text{mm}$
Connector $\pm 0.25\text{mm}$
2. Connector dimensions comply with FCC 68.5 dimension requirements

06.06.07

CTRJG Series

MECHANICAL

CTRJG31D6xxxxxxx



NOTES : 1. Tolerance : PCB $\pm 0.05\text{mm}$
Connector $\pm 0.25\text{mm}$

2. Connector dimensions comply with FCC 68.5 dimension requirements

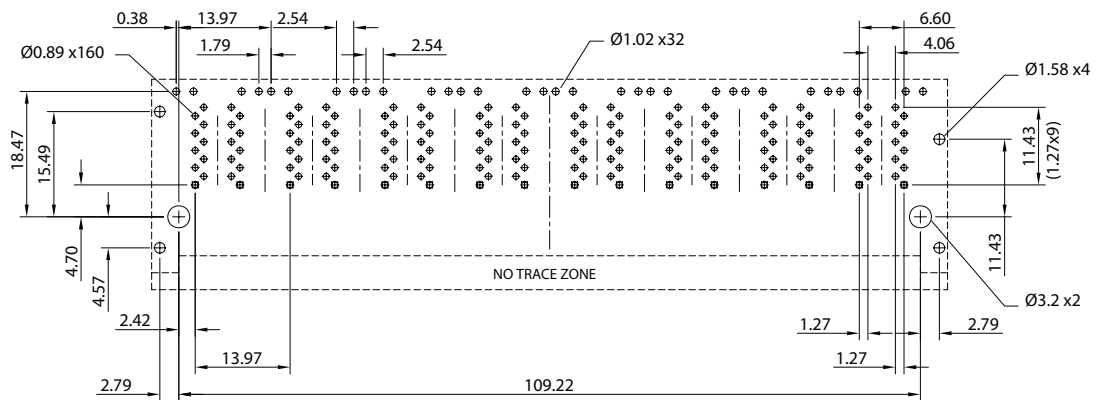
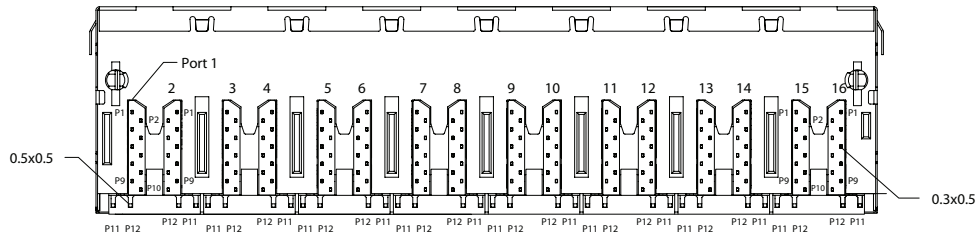
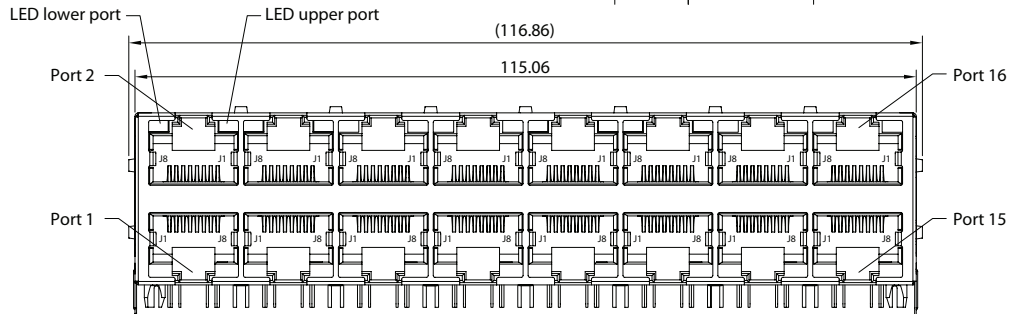
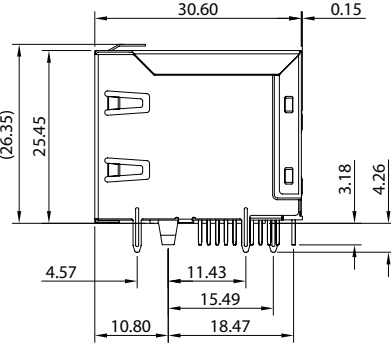
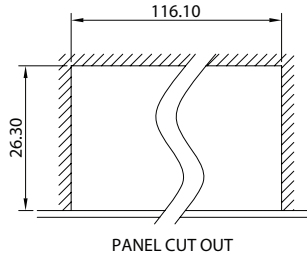
Suggested PCB Pad Layout
Component Side View

06.06.07

CTRJG Series

MECHANICAL

CTRJG31D8xxxxxxx



Suggested PCB Pad Layout
Component Side View

- NOTES : 1. Tolerance : PCB $\pm 0.05\text{mm}$
Connector $\pm 0.25\text{mm}$
2. Connector dimensions comply with FCC 68.5 dimension requirements

06.06.07