

PLEASE CHECK WWW.MOLEX.COM FOR LATEST PART INFORMATION

Part Number: **0190670064**
Status: **Active**
Description: NylaKrimp™ Funnel Entry Ring Tongue Terminal for 6 AWG Wire, Stud #16

Documents:

[Drawing \(PDF\)](#) [RoHS Certificate of Compliance \(PDF\)](#)

Agency Certification

CSA LR18689
 UL E32244

General

Product Family Ring and Spade Terminals
 Series 19067
 Crimp Quality Equipment Yes
 Mil-Spec N/A
 Product Name NylaKrimp™
 Type Ring

Physical

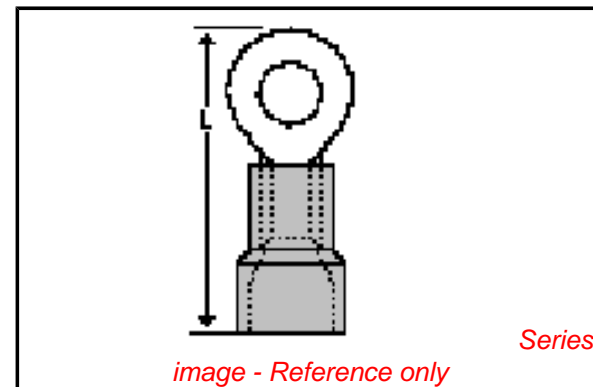
Barrel Type Closed - Brazed
 Flammability 94V-0
 Insulation Nylon (PA)
 Material - Plating Mating Tin
 Packaging Type Bag
 Plating min: Mating (µin) 100
 Plating min: Mating (µm) 2.5
 Plating min: Termination (µin) 100
 Plating min: Termination (µm) 2.5
 Stud Size 5/8" (M16)
 Termination Interface: Style Crimp or Compression
 Wire Insulation Diameter 10.87mm (.428") max.
 Wire Size AWG 6

Material Info

Old Part Number E-958-58

Reference - Drawing Numbers

Sales Drawing SD-19067-014



EU RoHS

ELV and RoHS Compliant
REACH SVHC Contains SVHC: No
Halogen-Free Status
Not Reviewed

China RoHS



Need more information on product environmental compliance?

Email productcompliance@molex.com
 For a multiple part number RoHS Certificate of Compliance, [click here](#)

Please visit the [Contact Us](#) section for any non-product compliance questions.

Search Parts in this Series

[19067Series](#)

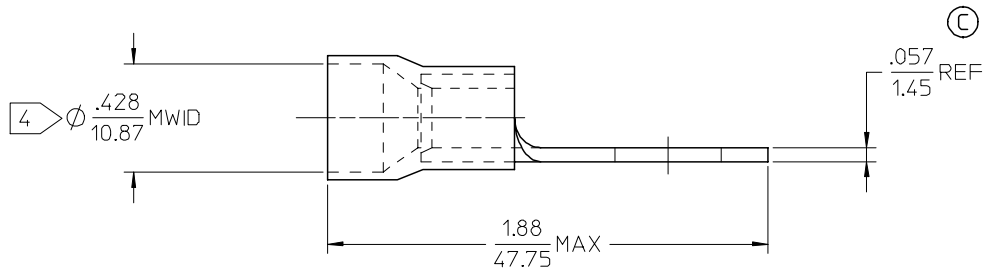
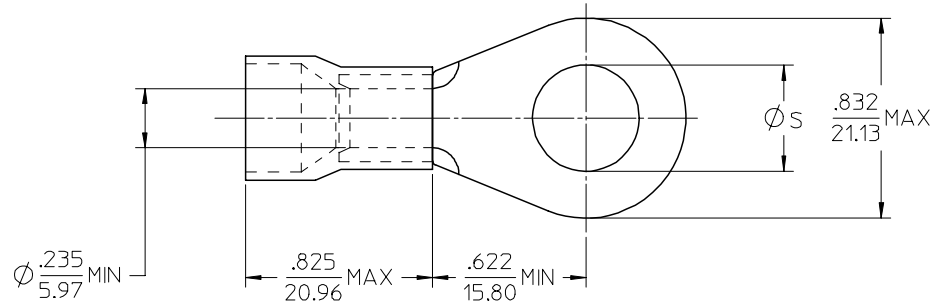
Application Tooling | [FAQ](#)

Tooling specifications and manuals are found by selecting the products below. Crimp Height Specifications are then contained in the Application Tooling Specification document.

Global

Description	Product #
Manual Putt Pump Hydraulic System, Die set required	0192860117
Die Set (large) for the HHLS Hydraulic Crimper	0192890004
Putt Pump Dieless Head System	0192860065

MATERIAL NO.	ENG. NO.	STUD SIZE	$\varnothing S \pm .005/0.13$
190670061	E-958-12	1/2	.515/13.08
190670062	E-958-14	1/4	.265/6.73
190670063	E-958-38	3/8	.390/9.91
190670064	E-958-58	5/8	.656/16.66
190670065	E-958-76	7/16	.453/11.51



NOTE(S):

1. TERMINAL MATERIAL: COPPER ALLOY.
2. TERMINAL FINISH: ELECTRO TIN PLATE.
3. INSULATION MATERIAL: NYLON, COLOR CODED BLUE.
4. \varnothing MVID = MAXIMUM WIRE INSULATION DIAMETER.
5. ALL COMPONENTS ARE ROHS COMPLIANT.

INCREASED MATL THKNS EC NO: ETC2007-0236 DRW: NEHLE 2007/01/04 CHKD: JMACNEIL 2007/01/04 APPR: JMACNEIL 2007/01/05	QUALITY SYMBOLS ▽=0 ▽=0	GENERAL TOLERANCES (UNLESS SPECIFIED)		DIMENSION STYLE	SCALE	DESIGN UNITS	THIRD ANGLE PROJECTION
		mm	INCH	IN/MM	4:1	INCH	
REV C		4 PLACES	± ---	± ---	DRAWN BY	DATE	TITLE RING TONGUE TERMINAL, FUNNEL ENTRY, 6 AWG, NYLAKRIMP
		3 PLACES	± ---	± ---	EHILE	2006/10/16	
		2 PLACES	± ---	± ---	CHECKED BY	DATE	MOLEX INCORPORATED
		1 PLACE	± ---	± ---	JMACNEIL	2006/10/16	
		ANGULAR	± ---°	± ---°	APPROVED BY	DATE	
				JMACNEIL	2006/10/16	MATERIAL NO.	DOCUMENT NO.
				SEE CHART			SD-19067-014
				SIZE B	THIS DRAWING CONTAINS INFORMATION THAT IS PROPRIETARY TO MOLEX INCORPORATED AND SHOULD NOT BE USED WITHOUT WRITTEN PERMISSION		