

Heatsink

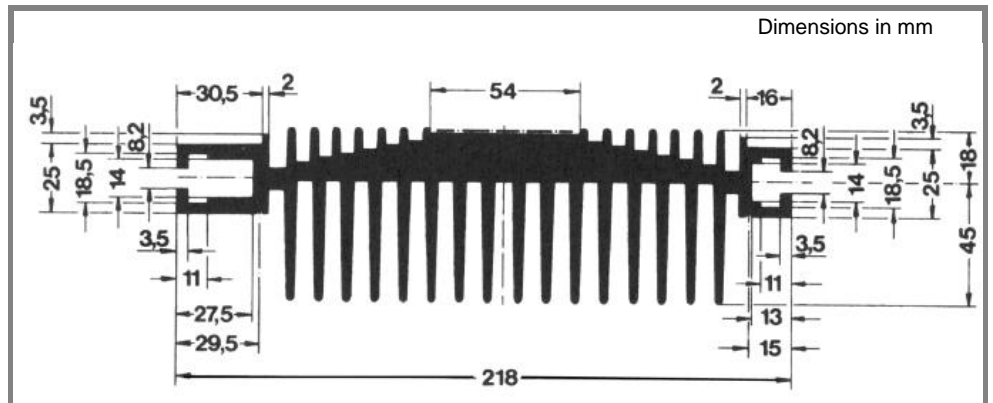
Standard lengths	n	b / d Ø mm	R_{thca} natural cooling K/W	R_{thha} (Fan: SKF N4-230-01) K/W	w kg
2x P 18/130		19 ± 1 25 ± 2	0,368 (120W) 0,366 (120W)		3,13
W3C2 stack (with P 18/130) See fig. Appl.1		19 ± 1 25 ± 2 33 ± 2 47 ± 2		0,12 0,108 0,098 0,092	45
STACK 1800 (with P 18/180) See fig. Appl.2		33 ± 2 47 ± 2		0,088 0,0785	75

For capsule devices

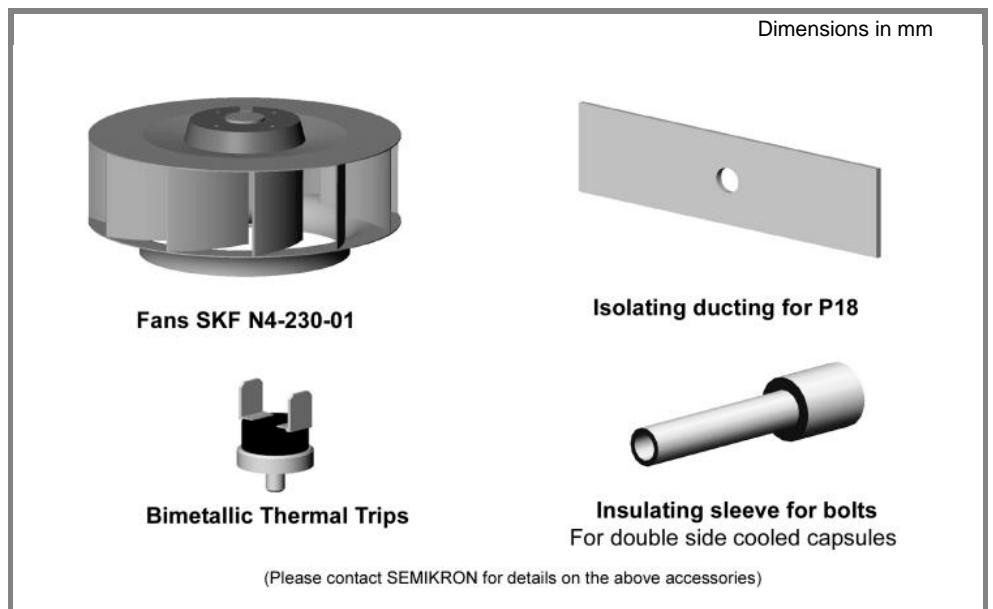
P 18

Features

- Intended for double-sided cooling of capsule devices with diameters upto 48mm
- Designed for forced air cooling
- Available as pre-assembled modules containing one or two capsules mounted in a plastic frame
- Available in various lengths

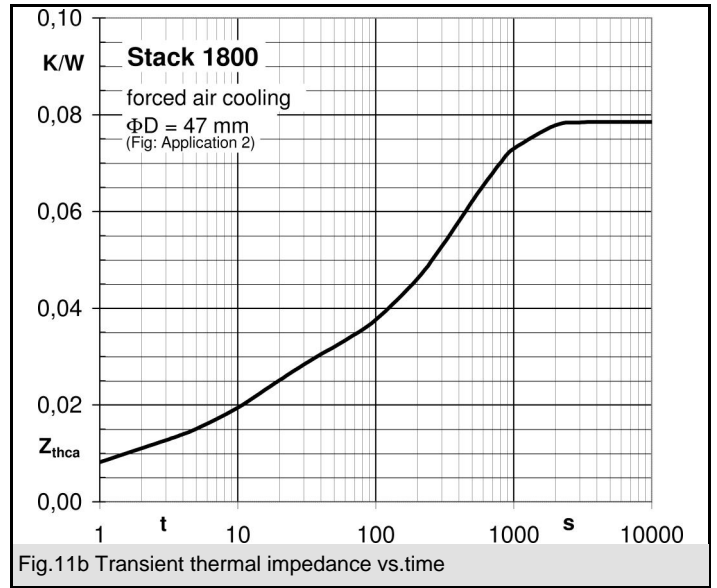
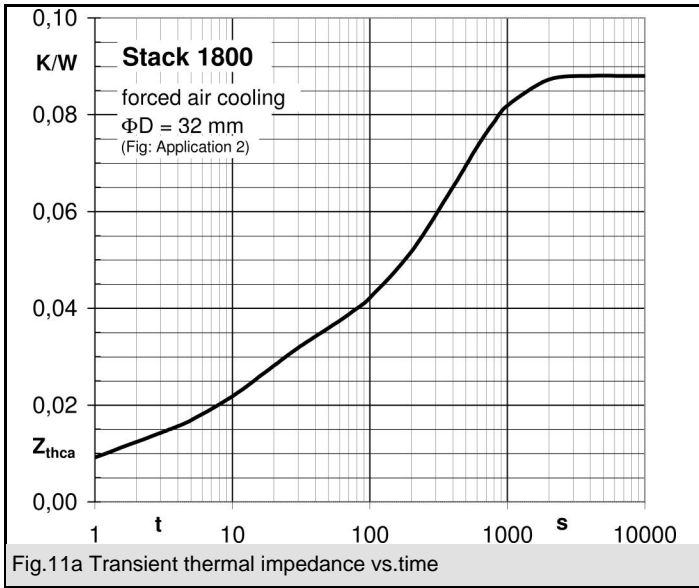


P 18 general profile dimensions (w = 12,2 kg/m)



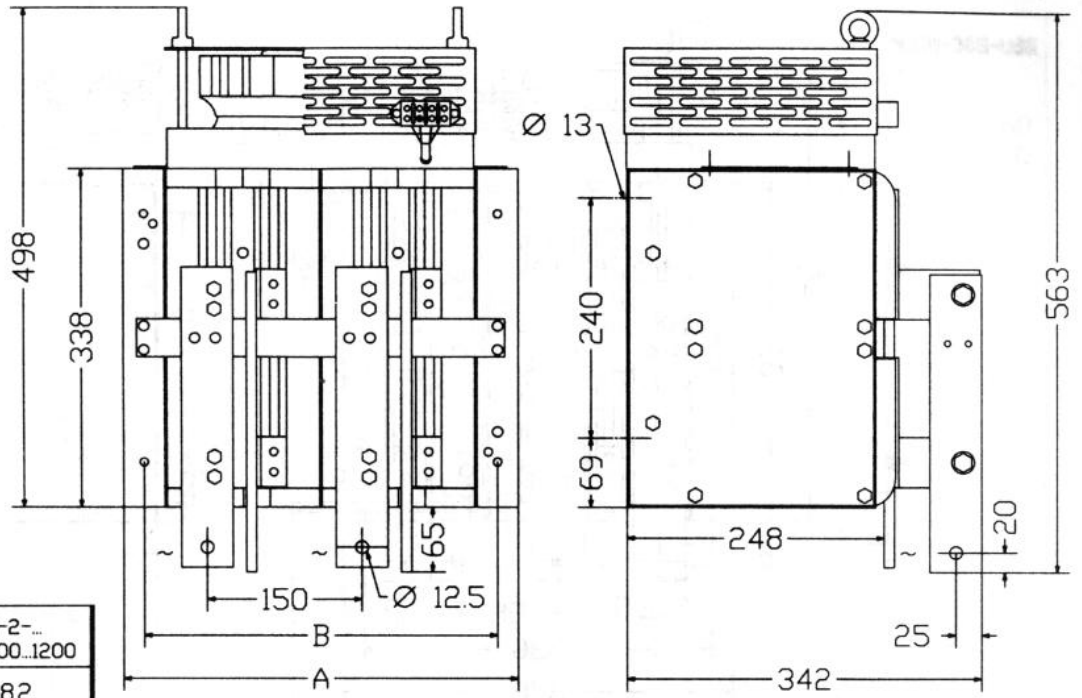
P 18 standard accessories

(Please contact SEMIKRON for details on the above accessories)



Dimensions in mm

P18/130F

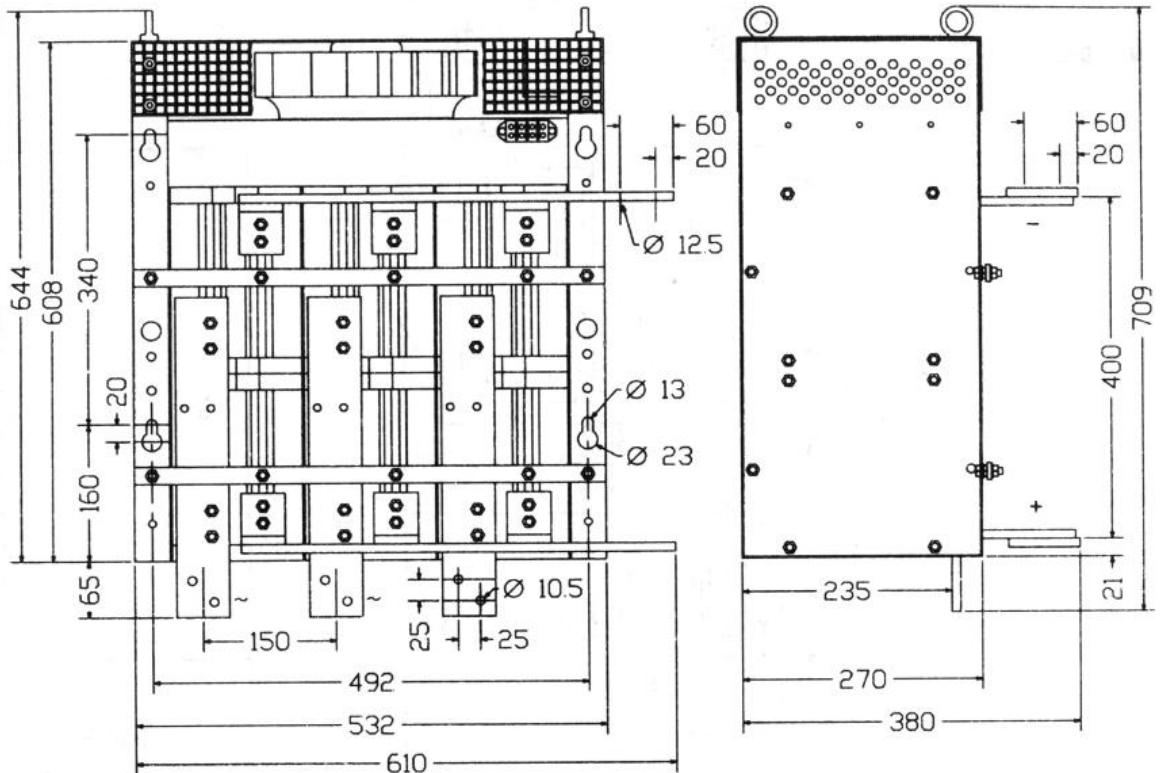


	V3C-2-... SKT 491...551	V3C-2-... SKT 600...1200
A	358	382
B	318	342

1.Application example using heatsink P 18/130F to give a three phase AC controller (W3C2)

Dimensions in mm

P18/180F



2.Application example using heatsink P 18/180 with capsules to give a three phase bridge rectifier (Stack 1800)