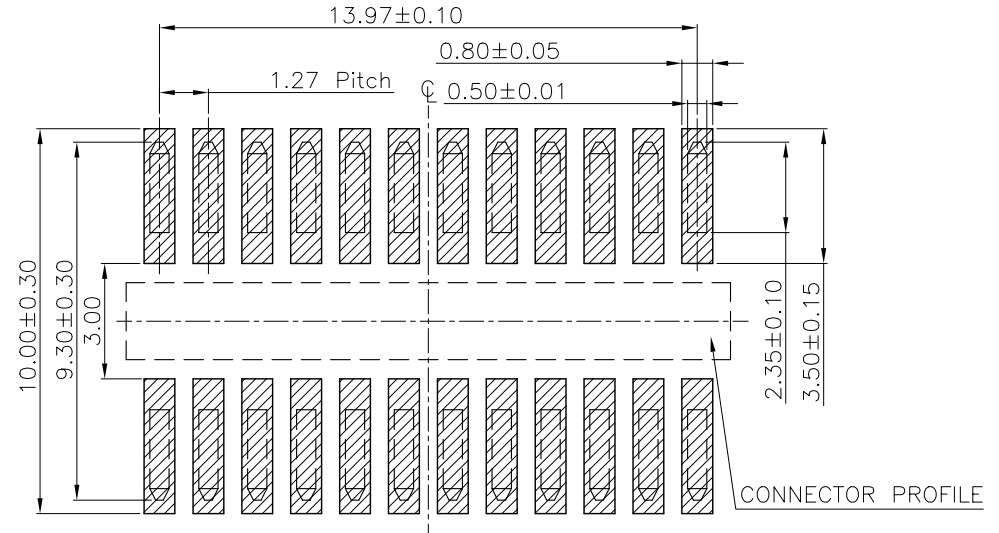
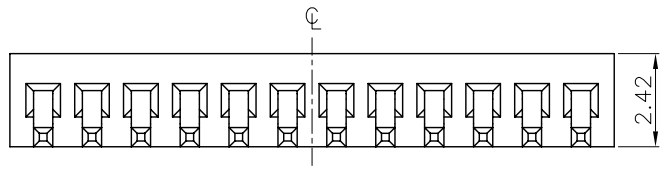
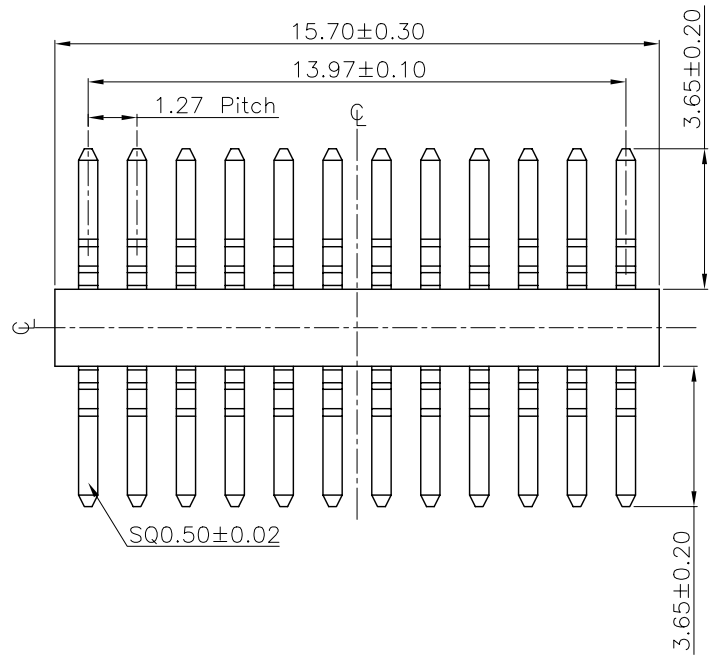
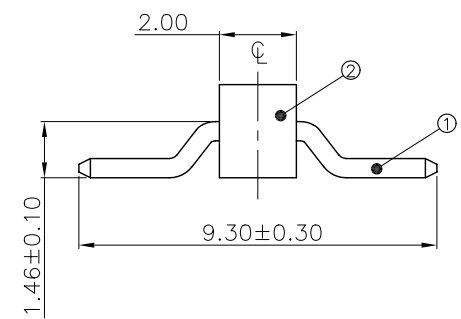


Recommended P.C.B Layout (Component Side)



CONNECTOR PROFILE

NOTE :
 127038MA012G□00ZT
 1
 1. Seletive Plating
 G1-05u" Gold over Nickel
 G2-Indicate Gold over Nickel
 G3-10u" Gold over Nickel
 G4-15u" Gold over Nickel
 G5-30u" Gold over Nickel



2	Terminal	Brass		
1	Plastic	High Temp	Black	UL94V-0
NO.	DESCRIPTION	MATERIAL	COLOR	REMARK

SUYIN
CONNECTOR

CUSTOMER COPY TITLE: 1.27mm PIN HEADER DUAL ROW RIGHT ANGLE TYPE

PART NO. 127038MA012GX00ZT

PART NO. (OLD)

DRAWING NO. 127038MA012GX00ZT

SCALE 5:1 UNIT mm A4

						Angle	±2°	DRAW		
						30 ~	±0.50	DESIGN		
						10 ~ 30	±0.30	CHECK		
						~ 10	±0.15	APPRO.		
ECN (DCN) NO.	REV	DATE	DESCRIPTION	CHANGE	APPRO.	GENERAL TOLERANCE UNLESS OTHERWISE NOTED				