

FCI CONFIDENTIAL



This document is the property of and embodies CONFIDENTIAL and PROPRIETARY information of FCI. No part of the information shown on this document may be used in any way or disclosed to others without the written consent of FCI. Copyright FCI.

PRODUCT NUMBER  
20020008-XXX1B01LF

20020008 -    1 B 0 1 L F

PITCH

POLES

LF: DENOTED RoHS COMPATIBLE

C: 3.50 mm  
D: 3.81 mm  
G: 5.00 mm  
H: 5.08 mm

02: 2 POLES  
03: 3 POLES  
04: 4 POLES  
|  
|  
24: 24 POLES

PROPERTY TABLE

FCI SERIES NAME	02-350	02-381	02-500	02-508
PITCH (mm)	3.50	3.81	5.00	5.08
VOLTAGE RATING (VAC)	300	300	300	300
CURRENT RATING (A)	8	8	12	12
APPLICABLE WIRE RANGE(AWG)	16~28	16~28	12~24	12~24
WIRE CROSS SECTION (mm*mm)	1.5~0.15	1.5~0.15	4.0~0.2	4.0~0.2
WIRE STRIP LENGTH(mm)	6~7	6~7	6~7	6~7
TORQUE +/-10% (N-m/Lb-in)	0.19/1.7	0.19/1.7	0.4/3.5	0.4/3.5
SCREW	M2x0.4	M2x0.4	M3x0.5	M3x0.5
WITHSTANDING VOLTAGE (kV)	1.6	1.6	1.6	1.6
OPERATING TEMP. (°C)	-40~+115	-40~+115	-40~+115	-40~+115
POLES AVAILABLE	02~24	02~24	02~24	02~24

SAFETY CERTIFICATE



NOTES:

1. MATERIALS

- 1-1 HOUSING: THERMALPLASTIC RESIN, UL 94V-0 RATED, COLOR GREEN.
- 1-2 SCREW: STEEL, ZINC PLATED.
- 1-3 CLAMP: BRASS, NICKEL PLATED.
- 1-4 TERMINAL: PHOSPHOROUS BRONZES, TIN PLATED.

2. PRODUCT SPECIFICATION REFER TO FCI GS-12-625.

3. BOXED PACKAGING,

DETAILED PRODUCT PACKING SPECIFICATION REFER TO FCI GS-14-1394.

4. FCI, SAFETY CERTIFICATE LOGO AND SERIES NAME TO BE SHOWN ON PRODUCT SURFACE.

5. THE PRODUCTS WHERE THE PART NUMBER END IN "LF" MEET THE EUROPEAN UNION DIRECTIVE AND OTHER COUNTRY REGULATIONS AS DESCRIBED IN GS-22-008.

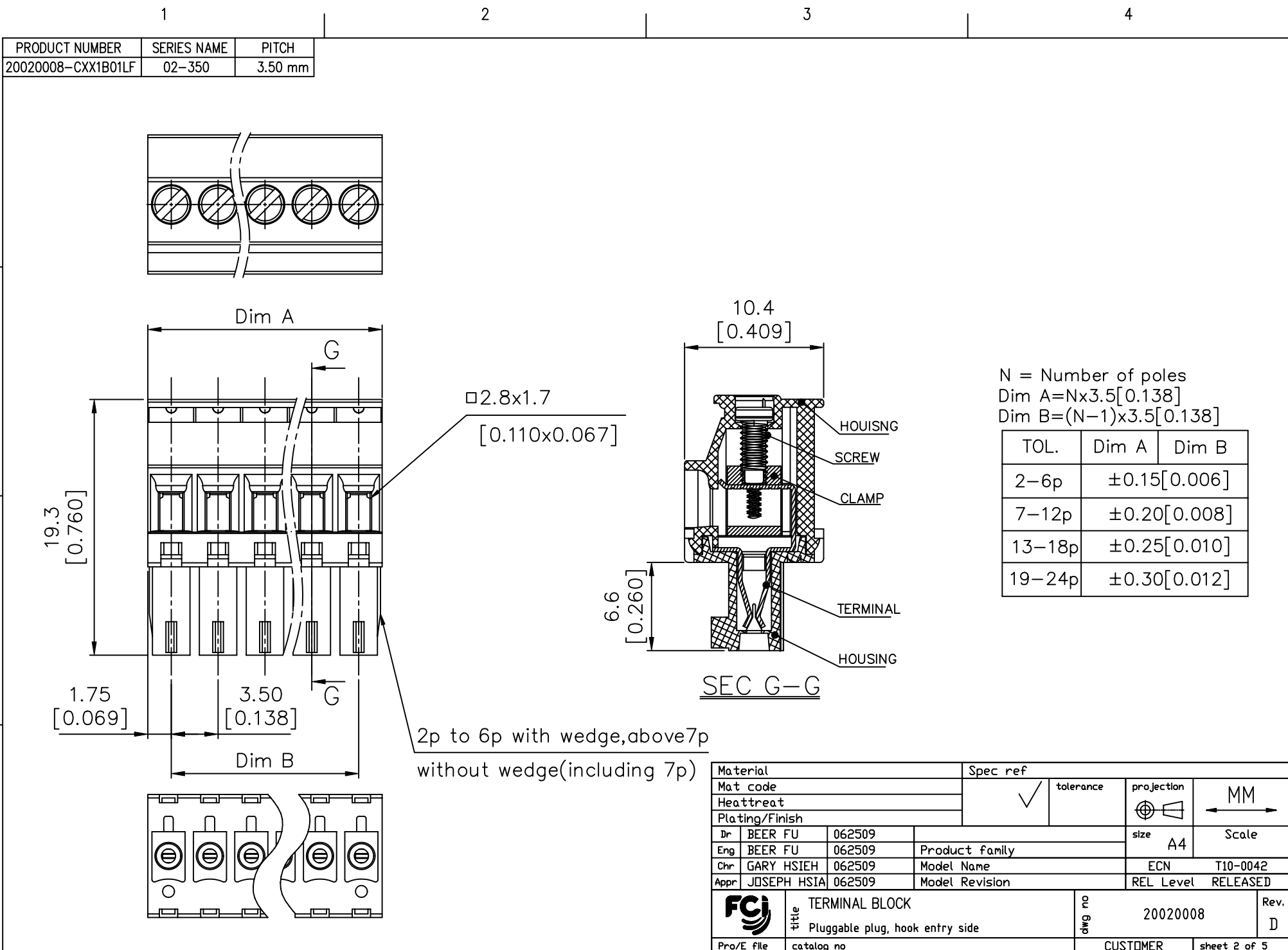
		rev	ecn no	dr	date	
TOLERANCES UNLESS OTHERWISE SPECIFIED		A	DG09-0203	BF	062509	
		B	T09-1148	BF	111709	
		C	T09-1152	BF	112609	
LINEAR	X.	±0.5	D	T10-0042	WL	030310
	X.X	±0.30	-	-	-	-
	X.XX	±0.10	-	-	-	-
ANGULAR	X'	±1'	-	-	-	-

Material		Spec ref *			
Mat code		tolerance	projection	MM	
Heattreat				← ⊕ ⊙ →	
Plating/Finish		size	A4	Scale	
Dr	BEER FU 062509				
Eng	BEER FU 062509	Product family			
Chr	GARY HSIEH 062509	Model Name		ECN T10-0042	
Appr	JOSEPH HSIA 062509	Model Revision		REL Level RELEASED	
FCI title		TERMINAL BLOCK		dwg no	20020008
		Pluggable plug, hook entry side			
Pro/E file	catalog no	CUSTOMER		sheet 1 of 5	

REV: 2008-04-17

FCI CONFIDENTIAL

This document is the property of and embodies CONFIDENTIAL and PROPRIETARY information of FCI. No part of the information shown on this document may be used in any way or disclosed to others without the written consent of FCI. Copyright FCI.



N = Number of poles  
 Dim A = N x 3.5 [0.138]  
 Dim B = (N - 1) x 3.5 [0.138]

TOL.	Dim A	Dim B
2-6p	±0.15 [0.006]	
7-12p	±0.20 [0.008]	
13-18p	±0.25 [0.010]	
19-24p	±0.30 [0.012]	

Material		Spec ref		
Mat code		tolerance	projection	MM
Heattreat		✓	⊕	←
Plating/Finish			size	Scale
Dr BEER FU	062509		A4	
Eng BEER FU	062509	Product family		
Chr GARY HSIEH	062509	Model Name		ECN T10-0042
Appr JOSEPH HSIA	062509	Model Revision		REL Level RELEASED
	title	TERMINAL BLOCK		dwg no
		Pluggable plug, hook entry side		20020008
Pro/E file	catalog no	CUSTOMER		Rev. D
		sheet 2 of 5		

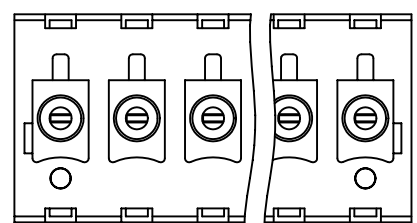
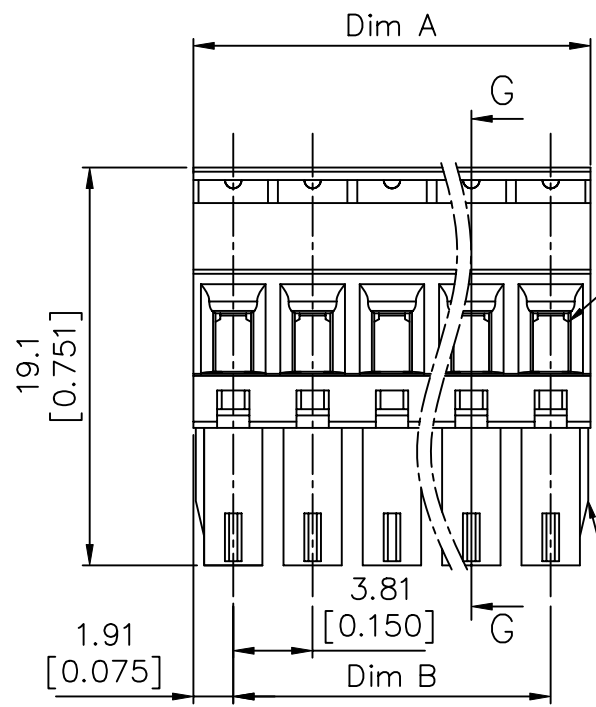
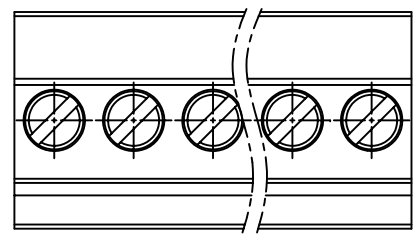
REV: 2008-04-17

FCI CONFIDENTIAL



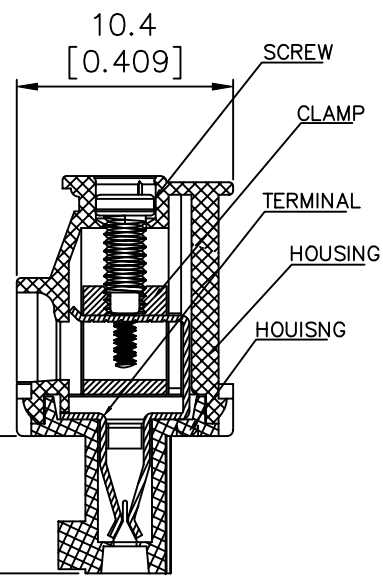
This document is the property of and embodies CONFIDENTIAL and PROPRIETARY information of FCI. No part of the information shown on this document may be used in any way or disclosed to others without the written consent of FCI. Copyright FCI.

PRODUCT NUMBER	SERIES NAME	PITCH
20020008-DXX1B01LF	02-381	3.81 mm



□2.8x1.7  
[0.110\*0.067]

2p to 6p with wedge, above 7p  
without wedge(including 7p)



SEC G-G

N = Number of poles  
Dim A =  $N \times 3.81$  [0.150]  
Dim B =  $(N-1) \times 3.81$  [0.150]

TOL.	Dim A	Dim B
2-6p	±0.15 [0.006]	
7-12p	±0.20 [0.008]	
13-18p	±0.25 [0.010]	
19-24p	±0.30 [0.012]	

Material		Spec ref		
Mat code		tolerance	projection	MM
Heattreat				
Plating/Finish				
Dr BEER FU	062509		size A4	Scale
Eng BEER FU	062509	Product family		
Chr GARY HSIEH	062509	Model Name		ECN T10-0042
Appr JOSEPH HSIA	062509	Model Revision		REL Level RELEASED
	title	TERMINAL BLOCK		dwg no
		Pluggable plug, hook entry side		20020008
Pro/E file	catalog no	CUSTOMER		Rev. D
		sheet 3 of 5		

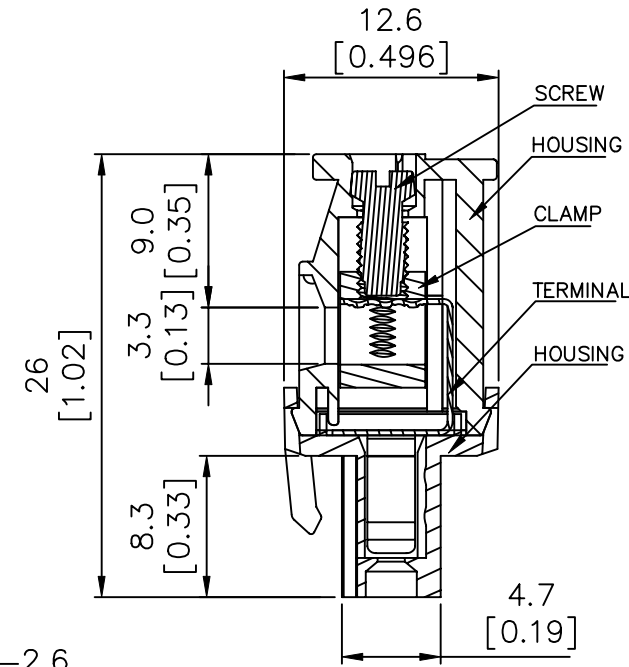
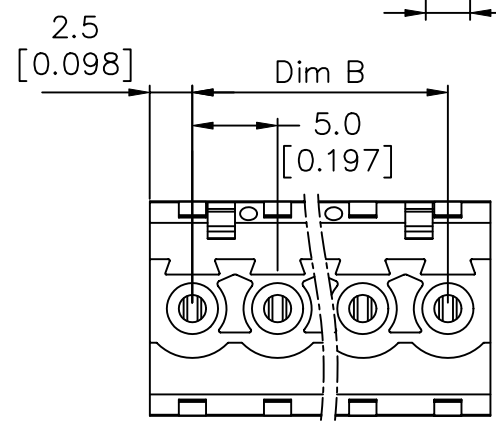
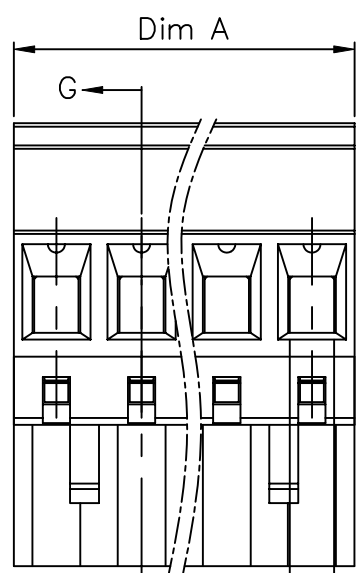
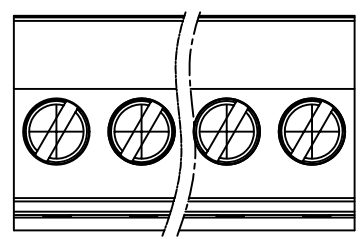
REV: 2008-04-17

FCI CONFIDENTIAL



This document is the property of and embodies CONFIDENTIAL and PROPRIETARY information of FCI. No part of the information shown on this document may be used in any way or disclosed to others without the written consent of FCI. Copyright FCI.

PRODUCT NUMBER	SERIES NAME	PITCH
20020008-GXX1B01LF	02-500	5.00 mm



N = Number of poles  
 Dim A =  $N \times 5.0 [0.197]$   
 Dim B =  $(N-1) \times 5.0 [0.197]$

TOL.	Dim A	Dim B
2-6p	$\pm 0.15 [0.006]$	
7-12p	$\pm 0.25 [0.010]$	
13-18p	$\pm 0.30 [0.012]$	
19-24p	$\pm 0.40 [0.016]$	

Material		Spec ref		
Mat code		✓	tolerance	projection
Heattreat				MM
Plating/Finish				← MM
Dr	BEER FU 062509		size	A4
Eng	BEER FU 062509	Product family		Scale
Chr	GARY HSIEH 062509	Model Name		ECN T10-0042
Appr	JOSEPH HSIA 062509	Model Revision		REL Level RELEASED
	title	TERMINAL BLOCK		dwg no
		Pluggable plug, hook entry side		20020008
Pro/E file	catalog no	CUSTOMER		Rev. D
		sheet 4 of 5		

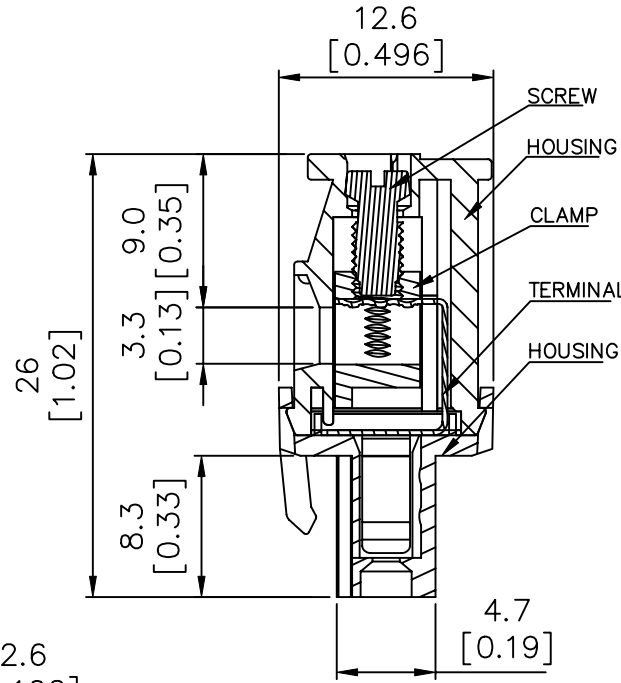
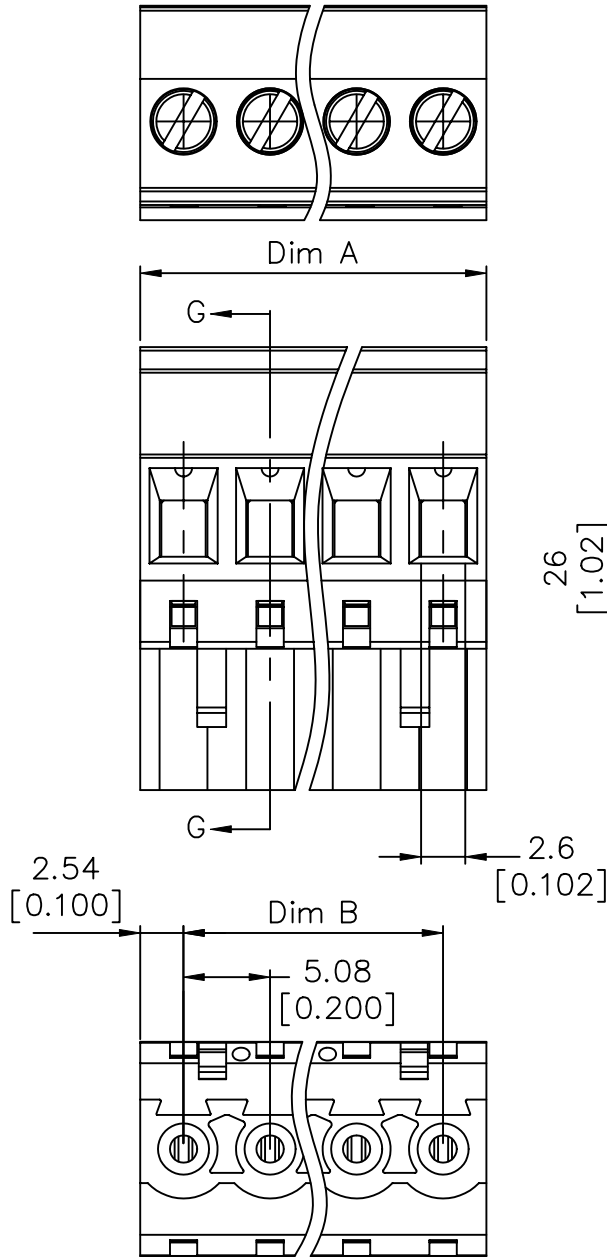
REV: 2008-04-17

FCI CONFIDENTIAL



This document is the property of and embodies CONFIDENTIAL and PROPRIETARY information of FCI. No part of the information shown on this document may be used in any way or disclosed to others without the written consent of FCI. Copyright FCI.

PRODUCT NUMBER	SERIES NAME	PITCH
20020008-HXX1B01LF	02-508	5.08 mm



Section G-G

N = Number of poles  
 Dim A =  $N \times 5.08 [0.200]$   
 Dim B =  $(N-1) \times 5.08 [0.200]$

TOL.	Dim A	Dim B
2-6p	$\pm 0.15 [0.006]$	
7-12p	$\pm 0.25 [0.010]$	
13-18p	$\pm 0.30 [0.012]$	
19-24p	$\pm 0.40 [0.016]$	

Material		Spec ref		
Mat code		✓	tolerance	projection
Heattreat				MM
Plating/Finish				←
Dr	BEER FU 062509		size	A4
Eng	BEER FU 062509	Product family		Scale
Chr	GARY HSIEH 062509	Model Name		ECN T10-0042
Appr	JOSEPH HSIA 062509	Model Revision		REL Level RELEASED
title TERMINAL BLOCK Pluggable plug, hook entry side		dwg no	20020008	
Pro/E file	catalog no	CUSTOMER		sheet 5 of 5

REV: 2008-04-17