

## 256MB Unbuffered DDR SDRAM DIMM

**HB54A2568FM-A75B/B75B/10B (32M words × 64 bits, 1 Bank)**  
**HB54A2569FM-A75B/B75B/10B (32M words × 72 bits, 1 Bank)**

### Description

The HB54A2568FM, HB54A2569FM are Double Data Rate (DDR) SDRAM Module, mounted 256M bits DDR SDRAM (HM5425801BTT) sealed in TSOP package, and 1 piece of serial EEPROM (2k bits EEPROM) for Presence Detect (PD). The HB54A2568FM is organized as 32M × 64 × 1 bank mounted 8 pieces of 256M bits DDR SDRAM. The HB54A2569FM is organized as 32M × 72 × 1 bank mounted 9 pieces of 256M bits DDR SDRAM. Read and write operations are performed at the cross points of the CK and the /CK. This high-speed data transfer is realized by the 2 bits prefetch-pipelined architecture. Data strobe (DQS) both for read and write are available for high speed and reliable data bus design. By setting extended mode register, the on-chip Delay Locked Loop (DLL) can be set enable or disable. An outline of the products is 184-pin socket type package (dual lead out). Therefore, it makes high density mounting possible without surface mount technology. It provides common data inputs and outputs. Decoupling capacitors are mounted beside each TSOP on the module board.

### Features

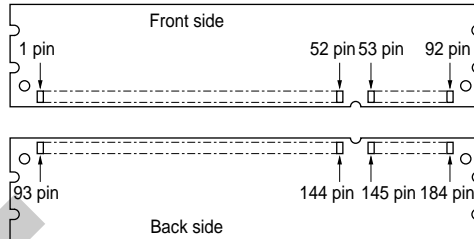
- 184-pin socket type package (dual lead out)
  - Outline: 133.35mm (Length) × 31.75mm (Height) × 4.00mm (Thickness)
  - Lead pitch: 1.27mm
- 2.5V power supply (VCC/VCCQ)
- SSTL-2 interface for all inputs and outputs
- Clock frequency: 143MHz/133MHz/125MHz (max.)
- Data inputs, outputs and DM are synchronized with DQS
- 4 banks can operate simultaneously and independently (Component)
- Burst read/write operation
- Programmable burst length: 2, 4, 8
  - Burst read stop capability
- Programmable burst sequence
  - Sequential
  - Interleave
- Start addressing capability
  - Even and Odd
- Programmable /CAS latency (CL): 2, 2.5
- 8192 refresh cycles: 7.8μs (8192/64ms)
- 2 variations of refresh
  - Auto refresh
  - Self refresh

## Ordering Information

| Part number                    | Clock frequency<br>MHz (max.) | /CAS latency | Package                              | Contact pad |
|--------------------------------|-------------------------------|--------------|--------------------------------------|-------------|
| HB54A2568FM-A75B* <sup>1</sup> | 143 MHz                       | 2.5          | 184-pin dual lead out socket<br>type | Gold        |
| HB54A2568FM-B75B* <sup>2</sup> | 133 MHz                       | 2.5          |                                      |             |
| HB54A2568FM-10B* <sup>2</sup>  | 125 MHz                       | 2.5          |                                      |             |
| HB54A2569FM-A75B* <sup>1</sup> | 143 MHz                       | 2.5          |                                      |             |
| HB54A2569FM-B75B* <sup>2</sup> | 133 MHz                       | 2.5          |                                      |             |
| HB54A2569FM-10B* <sup>2</sup>  | 125 MHz                       | 2.5          |                                      |             |

- Notes: 1. 133 MHz operation at /CAS latency = 2.  
2. 100 MHz operation at /CAS latency = 2.

## Pin Configurations



| Pin No. | Pin name | Pin No. | Pin name                | Pin No. | Pin name  | Pin No. | Pin name                     |
|---------|----------|---------|-------------------------|---------|-----------|---------|------------------------------|
| 1       | VREF     | 47      | DQS8 (NC)* <sup>1</sup> | 93      | VSS       | 139     | VSS                          |
| 2       | DQ0      | 48      | A0                      | 94      | DQ4       | 140     | DM8/DQS17 (NC)* <sup>1</sup> |
| 3       | VSS      | 49      | CB2 (NC)* <sup>1</sup>  | 95      | DQ5       | 141     | A10                          |
| 4       | DQ1      | 50      | VSS                     | 96      | VCCQ      | 142     | CB6 (NC)* <sup>1</sup>       |
| 5       | DQS0     | 51      | CB3                     | 97      | DM0/DQS9  | 143     | VCCQ                         |
| 6       | DQ2      | 52      | BA1 (NC)* <sup>1</sup>  | 98      | DQ6       | 144     | CB7 (NC)* <sup>1</sup>       |
| 7       | VCC      | 53      | DQ32                    | 99      | DQ7       | 145     | VSS                          |
| 8       | DQ3      | 54      | VCCQ                    | 100     | VSS       | 146     | DQ36                         |
| 9       | NC       | 55      | DQ33                    | 101     | NC        | 147     | DQ37                         |
| 10      | NC       | 56      | DQS4                    | 102     | NC        | 148     | VCC                          |
| 11      | VSS      | 57      | DQ34                    | 103     | NC        | 149     | DM4/DQS13                    |
| 12      | DQ8      | 58      | VSS                     | 104     | VCCQ      | 150     | DQ38                         |
| 13      | DQ9      | 59      | BA0                     | 105     | DQ12      | 151     | DQ39                         |
| 14      | DQS1     | 60      | DQ35                    | 106     | DQ13      | 152     | VSS                          |
| 15      | VCCQ     | 61      | DQ40                    | 107     | DM1/DQS10 | 153     | DQ44                         |
| 16      | CK1      | 62      | VCCQ                    | 108     | VCC       | 154     | /RAS                         |
| 17      | /CK1     | 63      | /WE                     | 109     | DQ14      | 155     | DQ45                         |
| 18      | VSS      | 64      | DQ41                    | 110     | DQ15      | 156     | VCCQ                         |
| 19      | DQ10     | 65      | /CAS                    | 111     | NC        | 157     | /S0                          |
| 20      | DQ11     | 66      | VSS                     | 112     | VCCQ      | 158     | NC                           |
| 21      | CKE0     | 67      | DQS5                    | 113     | NC        | 159     | DM5/DQS14                    |
| 22      | VCCQ     | 68      | DQ42                    | 114     | DQ20      | 160     | VSS                          |
| 23      | DQ16     | 69      | DQ43                    | 115     | A12       | 161     | DQ46                         |
| 24      | DQ17     | 70      | VCC                     | 116     | VSS       | 162     | DQ47                         |
| 25      | DQS2     | 71      | NC                      | 117     | DQ21      | 163     | NC                           |
| 26      | VSS      | 72      | DQ48                    | 118     | A11       | 164     | VCCQ                         |

# HB54A2568FM, HB54A2569FM-A75B/B75B/10B

| Pin No. | Pin name               | Pin No. | Pin name | Pin No. | Pin name               | Pin No. | Pin name  |
|---------|------------------------|---------|----------|---------|------------------------|---------|-----------|
| 27      | A9                     | 73      | DQ49     | 119     | DM2/DQS11              | 165     | DQ52      |
| 28      | DQ18                   | 74      | VSS      | 120     | VCC                    | 166     | DQ53      |
| 29      | A7                     | 75      | /CK2     | 121     | DQ22                   | 167     | NC        |
| 30      | VCCQ                   | 76      | CK2      | 122     | A8                     | 168     | VCC       |
| 31      | DQ19                   | 77      | VCCQ     | 123     | DQ23                   | 169     | DM6/DQS15 |
| 32      | A5                     | 78      | DQS6     | 124     | VSS                    | 170     | DQ54      |
| 33      | DQ24                   | 79      | DQ50     | 125     | A6                     | 171     | DQ55      |
| 34      | VSS                    | 80      | DQ51     | 126     | DQ28                   | 172     | VCCQ      |
| 35      | DQ25                   | 81      | VSS      | 127     | DQ29                   | 173     | NC        |
| 36      | DQS3                   | 82      | VCCID    | 128     | VCCQ                   | 174     | DQ60      |
| 37      | A4                     | 83      | DQ56     | 129     | DM3/DQS12              | 175     | DQ61      |
| 38      | VCC                    | 84      | DQ57     | 130     | A3                     | 176     | VSS       |
| 39      | DQ26                   | 85      | VCC      | 131     | DQ30                   | 177     | DM7/DQS16 |
| 40      | DQ27                   | 86      | DQS7     | 132     | VSS                    | 178     | DQ62      |
| 41      | A2                     | 87      | DQ58     | 133     | DQ31                   | 179     | DQ63      |
| 42      | VSS                    | 88      | DQ59     | 134     | CB4 (NC)* <sup>1</sup> | 180     | VCCQ      |
| 43      | A1                     | 89      | VSS      | 135     | CB5 (NC)* <sup>1</sup> | 181     | SA0       |
| 44      | CB0 (NC)* <sup>1</sup> | 90      | NC       | 136     | VCCQ                   | 182     | SA1       |
| 45      | CB1 (NC)* <sup>1</sup> | 91      | SDA      | 137     | CK0                    | 183     | SA2       |
| 46      | VCC                    | 92      | SCL      | 138     | /CK0                   | 184     | VCCSPD    |

Note: 1. The HB54A2568FM assign "NC".

**Pin Description**

| Pin name                 | Function  |
|--------------------------|---|
| A0 to A12                | Address input<br>Row address A0 to A12<br>Column address A0 to A9 |
| BA0, BA1                 | Bank select address   |
| DQ0 to DQ63              | Data input/output   |
| CB0 to CB7               | Check bit (Data input/output)                                     |
| /RAS                     | Row address strobe command  |
| /CAS                     | Column address strobe command                                     |
| /WE                      | Write enable  |
| /S0                      | Chip select   |
| CKE0                     | Clock enable  |
| CK0 to CK2               | Clock input   |
| /CK0 to /CK2             | Differential clock input  |
| DQS0 to DQS8             | Input and output data strobe                                      |
| DM0 to DM8/DQS9 to DQS17 | Input mask  |
| SCL                      | Clock input for serial PD   |
| SDA                      | Data input/output for serial PD                                   |
| SA0 to SA2               | Serial address input  |
| VCC                      | Power for internal circuit  |
| VCCQ                     | Power for DQ circuit  |
| VCCSPD                   | Power for serial EEPROM   |
| VREF                     | Input reference voltage   |
| VSS                      | Ground  |
| VCCID                    | VCC identification flag   |
| NC                       | No connection   |

## Serial PD Matrix\*1

| Byte No. | Function described  | Bit7 | Bit6 | Bit5 | Bit4 | Bit3 | Bit2 | Bit1 | Bit0 | Hex value | Comments               |
|----------|---|------|------|------|------|------|------|------|------|-----------|------------------------|
| 0        | Number of bytes utilized by module manufacturer                               | 1    | 0    | 0    | 0    | 0    | 0    | 0    | 0    | 80        | 128                    |
| 1        | Total number of bytes in serial PD device                                     | 0    | 0    | 0    | 0    | 1    | 0    | 0    | 0    | 08        | 256 byte               |
| 2        | Memory type   | 0    | 0    | 0    | 0    | 0    | 1    | 1    | 1    | 07        | SDRAM DDR              |
| 3        | Number of row address   | 0    | 0    | 0    | 0    | 1    | 1    | 0    | 1    | 0D        | 13                     |
| 4        | Number of column address  | 0    | 0    | 0    | 0    | 1    | 0    | 1    | 0    | 0A        | 10                     |
| 5        | Number of DIMM banks  | 0    | 0    | 0    | 0    | 0    | 0    | 0    | 1    | 01        | 1                      |
| 6        | Module data width<br>HB54A2568FM  | 0    | 1    | 0    | 0    | 0    | 0    | 0    | 0    | 40        | 64 bits                |
|          | HB54A2569FM   | 0    | 1    | 0    | 0    | 1    | 0    | 0    | 0    | 48        | 72 bits                |
| 7        | Module data width continuation  | 0    | 0    | 0    | 0    | 0    | 0    | 0    | 0    | 00        | 0 (+)                  |
| 8        | Voltage interface level of this assembly                                      | 0    | 0    | 0    | 0    | 0    | 1    | 0    | 0    | 04        | SSTL 2.5V              |
| 9        | DDR SDRAM cycle time, CL = X<br>-A75B   | 0    | 1    | 1    | 1    | 0    | 0    | 0    | 0    | 70        | CL = 2.5*5             |
|          | -B75B   | 0    | 1    | 1    | 1    | 0    | 1    | 0    | 1    | 75        |                        |
|          | -10B  | 1    | 0    | 0    | 0    | 0    | 0    | 0    | 0    | 80        |                        |
| 10       | SDRAM access from clock (tAC)<br>-A75B/B75B                                   | 0    | 1    | 1    | 1    | 0    | 1    | 0    | 1    | 75        | 0.75ns*5               |
|          | -10B  | 1    | 0    | 0    | 0    | 0    | 0    | 0    | 0    | 80        | 0.8ns*5                |
| 11       | DIMM configuration type<br>HB54A2568FM  | 0    | 0    | 0    | 0    | 0    | 0    | 0    | 0    | 00        | None                   |
|          | HB54A2569FM   | 0    | 0    | 0    | 0    | 0    | 0    | 1    | 0    | 02        | ECC                    |
| 12       | Refresh rate/type   | 1    | 0    | 0    | 0    | 0    | 0    | 1    | 0    | 82        | 7.8 μs<br>Self refresh |
| 13       | Primary SDRAM width   | 0    | 0    | 0    | 0    | 1    | 0    | 0    | 0    | 08        | × 8                    |
| 14       | Error checking SDRAM width<br>HB54A2568FM                                     | 0    | 0    | 0    | 0    | 0    | 0    | 0    | 0    | 00        | None                   |
|          | HB54A2569FM   | 0    | 0    | 0    | 0    | 1    | 0    | 0    | 0    | 08        | × 8                    |
| 15       | SDRAM device attributes:<br>Minimum clock delay back-to-back<br>column access | 0    | 0    | 0    | 0    | 0    | 0    | 0    | 1    | 01        | 1 CLK                  |
| 16       | SDRAM device attributes:<br>Burst length supported                            | 0    | 0    | 0    | 0    | 1    | 1    | 1    | 0    | 0E        | 2, 4, 8                |
| 17       | SDRAM device attributes: Number of<br>banks on SDRAM device                   | 0    | 0    | 0    | 0    | 0    | 1    | 0    | 0    | 04        | 4                      |
| 18       | SDRAM device attributes:<br>/CAS latency                                      | 0    | 0    | 0    | 0    | 1    | 1    | 0    | 0    | 0C        | 2, 2.5                 |
| 19       | SDRAM device attributes:<br>/CS latency                                       | 0    | 0    | 0    | 0    | 0    | 0    | 0    | 1    | 01        | 0                      |
| 20       | SDRAM device attributes:<br>/WE latency                                       | 0    | 0    | 0    | 0    | 0    | 0    | 1    | 0    | 02        | 1                      |
| 21       | SDRAM module attributes   | 0    | 0    | 1    | 0    | 0    | 0    | 0    | 0    | 20        | Unbuffered             |
| 22       | SDRAM device attributes: General  | 1    | 1    | 0    | 0    | 0    | 0    | 0    | 0    | C0        | ± 0.2V                 |
| 23       | Minimum clock cycle time at<br>CLX - 0.5<br>-A75B                             | 0    | 1    | 1    | 1    | 0    | 1    | 0    | 1    | 75        | CL = 2*5               |
|          | -B75B/10B   | 1    | 0    | 1    | 0    | 0    | 0    | 0    | 0    | A0        |                        |
| 24       | Maximum data access time (tAC) from<br>clock at CLX - 0.5<br>-A75B/B75B       | 0    | 1    | 1    | 1    | 0    | 1    | 0    | 1    | 75        | 0.75ns*5               |
|          | -10B  | 1    | 0    | 0    | 0    | 0    | 0    | 0    | 0    | 80        | 0.8ns*5                |

# HB54A2568FM, HB54A2569FM-A75B/B75B/10B

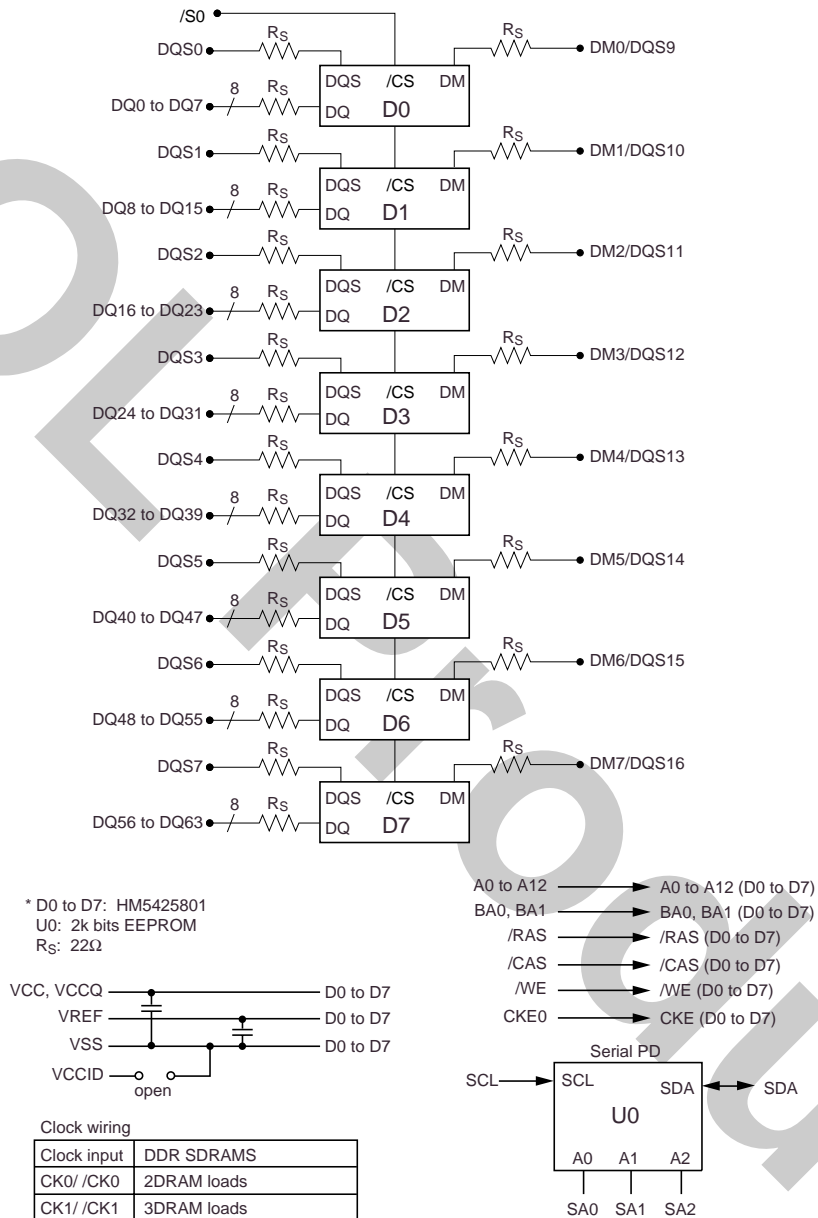
| Byte No. | Function described   | Bit7 | Bit6 | Bit5 | Bit4 | Bit3 | Bit2 | Bit1 | Bit0 | Hex value | Comments             |
|----------|--|------|------|------|------|------|------|------|------|-----------|----------------------|
| 25       | Minimum clock cycle time at CLX - 1                          | 0    | 0    | 0    | 0    | 0    | 0    | 0    | 0    | 00        |                      |
| 26       | Maximum data access time (tAC) from clock at CLX - 1         | 0    | 0    | 0    | 0    | 0    | 0    | 0    | 0    | 00        |                      |
| 27       | Minimum row precharge time (tRP)                             | 0    | 1    | 0    | 1    | 0    | 0    | 0    | 0    | 50        | 20ns                 |
| 28       | Minimum row active to row active delay (tRRD)                | 0    | 0    | 1    | 1    | 1    | 1    | 0    | 0    | 3C        | 15ns                 |
| 29       | Minimum /RAS to /CAS delay (tRCD)                            | 0    | 1    | 0    | 1    | 0    | 0    | 0    | 0    | 50        | 20ns                 |
| 30       | Minimum active to precharge time (tRAS)                      | 0    | 0    | 1    | 0    | 1    | 1    | 0    | 1    | 2D        | 45ns                 |
|          | -10B   |      |      |      |      |      |      |      |      | 32        | 50ns                 |
| 31       | Module bank density  | 0    | 1    | 0    | 0    | 0    | 0    | 0    | 0    | 40        | 1 bank<br>256MB      |
| 32       | Address and command setup time before clock (tIS)            | 1    | 0    | 0    | 1    | 0    | 0    | 0    | 0    | 90        | 0.9ns* <sup>5</sup>  |
|          | -10B   |      |      |      |      |      |      |      |      | B0        | 1.1ns* <sup>5</sup>  |
| 33       | Address and command hold time after clock (tIH)              | 1    | 0    | 0    | 1    | 0    | 0    | 0    | 0    | 90        | 0.9ns* <sup>5</sup>  |
|          | -10B   |      |      |      |      |      |      |      |      | B0        | 1.1ns* <sup>5</sup>  |
| 34       | Data input setup time before clock (tDS)                     | 0    | 1    | 0    | 1    | 0    | 0    | 0    | 0    | 50        | 0.5ns* <sup>5</sup>  |
|          | -10B   |      |      |      |      |      |      |      |      | 60        | 0.6ns* <sup>5</sup>  |
| 35       | Data input hold time after clock (tDH)                       | 0    | 1    | 0    | 1    | 0    | 0    | 0    | 0    | 50        | 0.5ns* <sup>5</sup>  |
|          | -10B   |      |      |      |      |      |      |      |      | 60        | 0.6ns* <sup>5</sup>  |
| 36 to 40 | Superset information   | 0    | 0    | 0    | 0    | 0    | 0    | 0    | 0    | 00        | Future use           |
| 41       | Active command period (tRC)                                  | 0    | 1    | 0    | 0    | 0    | 0    | 0    | 1    | 41        | 65ns* <sup>5</sup>   |
|          | -10B   |      |      |      |      |      |      |      |      | 46        | 70ns* <sup>5</sup>   |
| 42       | Auto refresh to active/<br>Auto refresh command cycle (tRFC) | 0    | 1    | 0    | 0    | 1    | 0    | 1    | 1    | 4B        | 75ns* <sup>5</sup>   |
|          | -10B   |      |      |      |      |      |      |      |      | 50        | 80ns* <sup>5</sup>   |
| 43       | SDRAM tCK cycle max. (tCK max.)                              | 0    | 0    | 1    | 1    | 0    | 0    | 0    | 0    | 30        | 12ns* <sup>5</sup>   |
| 44       | Dout to DQS skew   | 0    | 0    | 1    | 1    | 0    | 0    | 1    | 0    | 32        | 500ps* <sup>5</sup>  |
|          | -10B   |      |      |      |      |      |      |      |      | 3C        | 600ps* <sup>5</sup>  |
| 45       | Data hold skew (tQHS)  | 0    | 1    | 1    | 1    | 0    | 1    | 0    | 1    | 75        | 750ps* <sup>5</sup>  |
|          | -10B   |      |      |      |      |      |      |      |      | A0        | 1000ps* <sup>5</sup> |
| 46 to 61 | Superset information   | 0    | 0    | 0    | 0    | 0    | 0    | 0    | 0    | 00        | Future use           |
| 62       | SPD revision   | 0    | 0    | 0    | 0    | 0    | 0    | 0    | 0    | 00        | Initial              |

# HB54A2568FM, HB54A2569FM-A75B/B75B/10B

| Byte No.  | Function described                             | Bit7 | Bit6 | Bit5 | Bit4 | Bit3 | Bit2 | Bit1 | Bit0 | Hex value | Comments             |
|-----------|--|------|------|------|------|------|------|------|------|-----------|----------------------|
| 63        | Checksum for bytes 0 to 62<br>HB54A2568FM-A75B | 1    | 0    | 1    | 1    | 0    | 0    | 1    | 0    | B2        | 178                  |
|           | HB54A2568FM-B75B                               | 1    | 1    | 1    | 0    | 0    | 0    | 1    | 0    | E2        | 226                  |
|           | HB54A2568FM-10B                                | 1    | 0    | 1    | 0    | 0    | 1    | 1    | 1    | A7        | 167                  |
|           | HB54A2569FM-A75B                               | 1    | 1    | 0    | 0    | 0    | 1    | 0    | 0    | C4        | 196                  |
|           | HB54A2569FM-B75B                               | 1    | 1    | 1    | 1    | 0    | 1    | 0    | 0    | F4        | 244                  |
|           | HB54A2569FM-10B                                | 1    | 0    | 1    | 1    | 1    | 0    | 0    | 1    | B9        | 185                  |
| 64        | Manufacturer's JEDEC ID code                   | 0    | 0    | 0    | 0    | 0    | 1    | 1    | 1    | 07        | HITACHI              |
| 65 to 71  | Manufacturer's JEDEC ID code                   | 0    | 0    | 0    | 0    | 0    | 0    | 0    | 0    | 00        |                      |
| 72        | Manufacturing location                         | ×    | ×    | ×    | ×    | ×    | ×    | ×    | ×    | ×         | *2 (ASCII-8bit code) |
| 73        | Module part number                             | 0    | 1    | 0    | 0    | 1    | 0    | 0    | 0    | 48        | H                    |
| 74        | Module part number                             | 0    | 1    | 0    | 0    | 0    | 0    | 1    | 0    | 42        | B                    |
| 75        | Module part number                             | 0    | 0    | 1    | 1    | 0    | 1    | 0    | 1    | 35        | 5                    |
| 76        | Module part number                             | 0    | 0    | 1    | 1    | 0    | 1    | 0    | 0    | 34        | 4                    |
| 77        | Module part number                             | 0    | 1    | 0    | 0    | 0    | 0    | 0    | 1    | 41        | A                    |
| 78        | Module part number                             | 0    | 0    | 1    | 1    | 0    | 0    | 1    | 0    | 32        | 2                    |
| 79        | Module part number                             | 0    | 0    | 1    | 1    | 0    | 1    | 0    | 1    | 35        | 5                    |
| 80        | Module part number                             | 0    | 0    | 1    | 1    | 0    | 1    | 1    | 0    | 36        | 6                    |
| 81        | Module part number<br>HB54A2568FM              | 0    | 0    | 1    | 1    | 1    | 0    | 0    | 0    | 38        | 8                    |
|           | HB54A2569FM                                    | 0    | 0    | 1    | 1    | 1    | 0    | 0    | 1    | 39        | 9                    |
| 82        | Module part number                             | 0    | 1    | 0    | 0    | 0    | 1    | 1    | 0    | 46        | F                    |
| 83        | Module part number                             | 0    | 1    | 0    | 0    | 1    | 1    | 0    | 1    | 4D        | M                    |
| 84        | Module part number                             | 0    | 0    | 1    | 0    | 1    | 1    | 0    | 1    | 2D        | —                    |
| 85        | Module part number<br>-A75B                    | 0    | 1    | 0    | 0    | 0    | 0    | 0    | 1    | 41        | A                    |
|           | -B75B  | 0    | 1    | 0    | 0    | 0    | 0    | 1    | 0    | 42        | B                    |
|           | -10B   | 0    | 0    | 1    | 1    | 0    | 0    | 0    | 1    | 31        | 1                    |
| 86        | Module part number<br>-A75B/B75B               | 0    | 0    | 1    | 1    | 0    | 1    | 1    | 1    | 37        | 7                    |
|           | -10B   | 0    | 0    | 1    | 1    | 0    | 0    | 0    | 0    | 30        | 0                    |
| 87        | Module part number<br>-A75B/B75B               | 0    | 0    | 1    | 1    | 0    | 1    | 0    | 1    | 35        | 5                    |
|           | -10B   | 0    | 1    | 0    | 0    | 0    | 0    | 1    | 0    | 42        | B                    |
| 88        | Module part number<br>-A75B/B75B               | 0    | 1    | 0    | 0    | 0    | 0    | 1    | 0    | 42        | B                    |
|           | -10B   | 0    | 0    | 1    | 0    | 0    | 0    | 0    | 0    | 20        | (Space)              |
| 89 to 90  | Module part number                             | 0    | 0    | 1    | 0    | 0    | 0    | 0    | 0    | 20        | (Space)              |
| 91        | Revision code                                  | 0    | 0    | 1    | 1    | 0    | 0    | 0    | 0    | 30        | Initial              |
| 92        | Revision code                                  | 0    | 0    | 1    | 0    | 0    | 0    | 0    | 0    | 20        | (Space)              |
| 93        | Manufacturing date                             | ×    | ×    | ×    | ×    | ×    | ×    | ×    | ×    | ×         | Year code (BCD)      |
| 94        | Manufacturing date                             | ×    | ×    | ×    | ×    | ×    | ×    | ×    | ×    | ×         | Week code (BCD)      |
| 95 to 98  | Module serial number                           | *3   |      |      |      |      |      |      |      |           |                      |
| 99 to 127 | Manufacturer specific data                     | *4   |      |      |      |      |      |      |      |           |                      |

- Notes:
1. All serial PD data are not protected. 0: Serial data, "driven Low", 1: Serial data, "driven High" These SPD are based on JEDEC Committee Ballot JC-42.5-99-129.
  2. Byte72 is manufacturing location code. (ex: In case of Japan, byte72 is 4AH. 4AH shows "J" on ASCII code.)
  3. Bytes 95 through 98 are assembly serial number.
  4. All bits of 99 through 127 are not defined ("1" or "0").
  5. These specifications are defined based on component specification, not module.

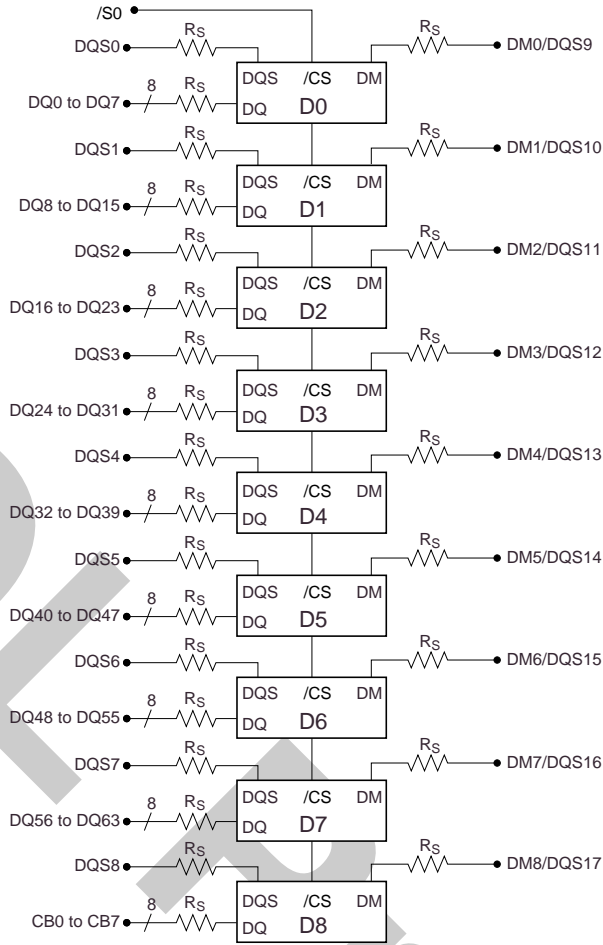
## Block Diagram (HB54A2568FM)



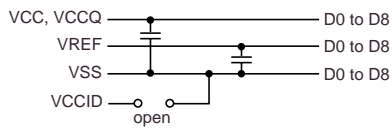
- Notes:
1. The SDA pull-up resistor is required due to the open-drain/open-collector output.
  2. The SCL pull-up resistor is recommended because of the normal SCL line inactive "high" state.



Block Diagram (HB54A2569FM)



\* D0 to D8: HM5425801  
 U0: 2k bits EEPROM  
 Rs: 22Ω

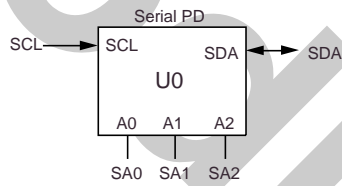


Clock wiring

| Clock input | DDR SDRAMs  |
|-------------|-------------|
| CK0/ /CK0   | 3DRAM loads |
| CK1/ /CK1   | 3DRAM loads |
| CK2/ /CK2   | 3DRAM loads |

Note: Wire per Clock loading table/Wiring diagrams.

- A0 to A12 → A0 to A12 (D0 to D8)
- BA0, BA1 → BA0, BA1 (D0 to D8)
- /RAS → /RAS (D0 to D8)
- /CAS → /CAS (D0 to D8)
- /WE → /WE (D0 to D8)
- CKE0 → CKE (D0 to D8)

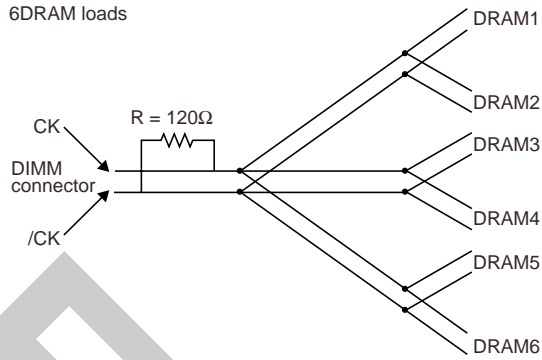


Notes:

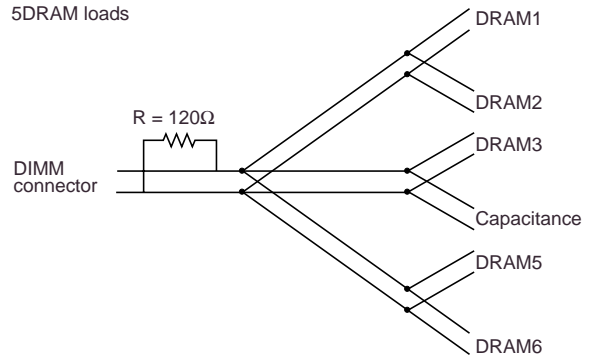
1. The SDA pull-up resistor is required due to the open-drain/open-collector output.
2. The SCL pull-up resistor is recommended because of the normal SCL line inactive "high" state.

Logical Clock Net Structure

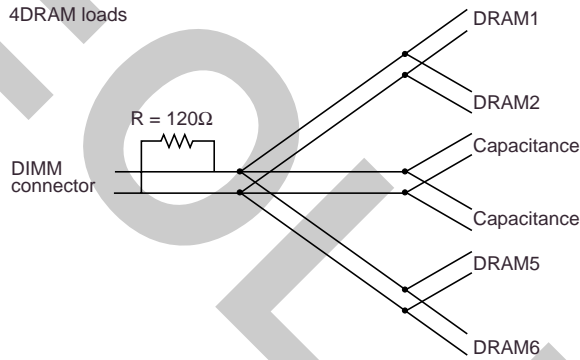
6DRAM loads



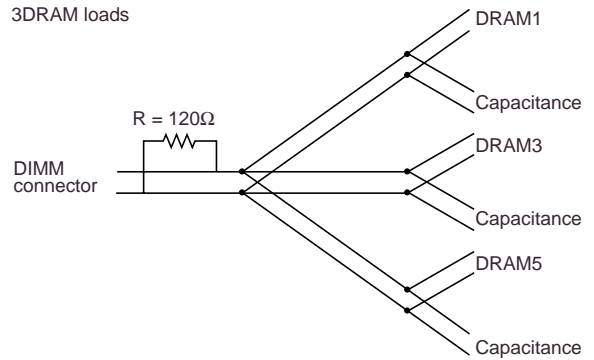
5DRAM loads



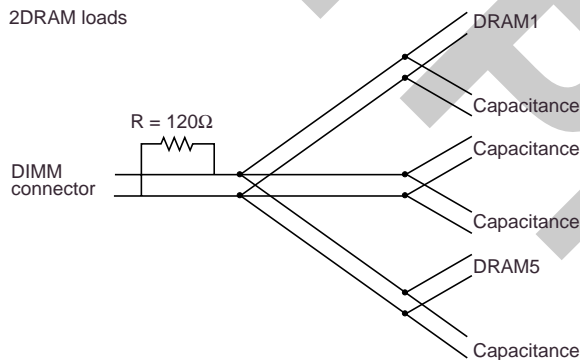
4DRAM loads



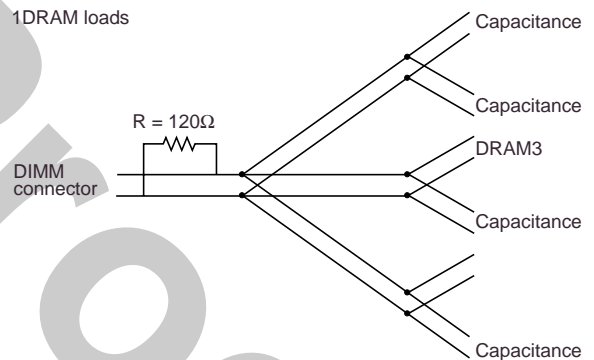
3DRAM loads



2DRAM loads



1DRAM loads



**Pin Functions (1)**

**CK (CLK), /CK (/CLK) (input pin):** The CK and the /CK are the master clock inputs. All inputs except DMs, DQs and DQs are referred to the cross point of the CK rising edge and the VREF level. When a read operation, DQs and DQs are referred to the cross point of the CK and the /CK. When a write operation, DMs and DQs are referred to the cross point of the DQS and the VREF level. DQs for write operation are referred to the cross point of the CK and the /CK.

**/S (/CS) (input pin):** When /S is Low, commands and data can be input. When /S is High, all inputs are ignored. However, internal operations (bank active, burst operations, etc.) are held.

**/RAS, /CAS, and /WE (input pins):** These pins define operating commands (read, write, etc.) depending on the combinations of their voltage levels. See "Command operation".

**A0 to A12 (input pins):** Row address (AX0 to AX12) is determined by the A0 to the A12 level at the cross point of the CK rising edge and the VREF level in a bank active command cycle. Column address (AY0 to AY9) is loaded via the A0 to the A9 at the cross point of the CK rising edge and the VREF level in a read or a write command cycle. This column address becomes the starting address of a burst operation.

**A10 (AP) (input pin):** A10 defines the precharge mode when a precharge command, a read command or a write command is issued. If A10 = High when a precharge command is issued, all banks are precharged. If A10 = Low when a precharge command is issued, only the bank that is selected by BA1, BA0 is precharged. If A10 = High when read or write command, auto-precharge function is enabled. While A10 = Low, auto-precharge function is disabled.

**BA0, BA1 (input pin):** BA0/BA1 are bank select signals. The memory array is divided into bank 0, bank 1, bank 2 and bank 3. If BA1 = Low and BA0 = Low, bank 0 is selected. If BA1 = High and BA0 = Low, bank 1 is selected. If BA1 = Low and BA0 = High, bank 2 is selected. If BA1 = High and BA0 = High, bank 3 is selected.

**CKE (input pin):** CKE controls power down and self-refresh. The power down and the self-refresh commands are entered when the CKE is driven Low and exited when it resumes to High.

The CKE level must be kept for 1 CK cycle (= LCKEPW) at least, that is, if CKE changes at the cross point of the CK rising edge and the VREF level with proper setup time t<sub>1S</sub>, at the next CK rising edge CKE level must be kept with proper hold time t<sub>1H</sub>.

**Pin Functions (2)**

**DQ, CB (input and output pins):** Data are input to and output from these pins.

**DQS (input and output pin):** DQS provide the read data strobes (as output) and the write data strobes (as input).

**DM (input pins):** DM is the reference signal of the data input mask function. DMs are sampled at the cross point of DQS and VREF

**VCC and VCCQ (power supply pins):** 2.5V is applied. (VCC is for the internal circuit and VCCQ is for the output buffer.)

**VCCSPD (power supply pin):** 2.5V is applied (For serial EEPROM).

**VSS (power supply pin):** Ground is connected.

**Detailed Operation Part, AC Characteristics and Timing Waveforms**

Refer to the HM5425161B/HM5425801B/HM5425401B Series datasheet (E0086H10).

**Electrical Specifications**

**Absolute Maximum Ratings**

| Parameter                          | Symbol    | Value        | Unit | Note |
|------------------------------------|-----------|--------------|------|------|
| Voltage on any pin relative to VSS | VT        | -1.0 to +4.6 | V    | 1    |
| Supply voltage relative to VSS     | VCC, VCCQ | -1.0 to +4.6 | V    | 1    |
| Short circuit output current       | IOUT      | 50           | mA   |      |
| Power dissipation<br>HB54A2568FM   | PT        | 8            | W    |      |
| HB54A2569FM                        | PT        | 9            | W    |      |
| Operating temperature              | Topr      | 0 to +55     | °C   |      |
| Storage temperature                | Tstg      | -50 to +100  | °C   |      |

Notes: 1. Respect to VSS.

**DC Operating Conditions (TA = 0 to +55°C)**

| Parameter                     | Symbol      | min.        | Typ  | max.        | Unit | Notes |
|-------------------------------|-------------|-------------|------|-------------|------|-------|
| Supply voltage                | VCC, VCCQ   | 2.3         | 2.5  | 2.7         | V    | 1, 2  |
|                               | VSS         | 0           | 0    | 0           | V    |       |
| Input reference voltage       | VREF        | 1.15        | 1.25 | 1.35        | V    | 1     |
| Termination voltage           | VTT         | VREF - 0.04 | VREF | VREF + 0.04 | V    | 1     |
| DC Input high voltage         | VIH         | VREF + 0.18 | —    | VCCQ + 0.3  | V    | 1, 3  |
| DC Input low voltage          | VIL         | -0.3        | —    | VREF - 0.18 | V    | 1, 4  |
| DC Input signal voltage       | VIN (dc)    | -0.3        | —    | VCCQ + 0.3  | V    | 5     |
| DC differential input voltage | VSWING (dc) | 0.36        | —    | VCCQ + 0.6  | V    | 6     |

Notes: 1. All parameters are referred to VSS, when measured.

2. VCCQ must be lower than or equal to VCC.
3. VIH is allowed to exceed VCC up to 4.6V for the period shorter than or equal to 5ns.
4. VIL is allowed to outreach below VSS down to -1.0V for the period shorter than or equal to 5ns.
5. VIN (dc) specifies the allowable dc execution of each differential input.
6. VSWING (dc) specifies the input differential voltage required for switching.

## DC Characteristics 1 (TA = 0 to 55°C, VCC, VCCQ = 2.5V ± 0.2V, VSS = 0V)

| Parameter                                 | Symbol | Grade | × 64 | × 72 | Unit | Test condition                          | Notes      |
|---|--------|-------|------|------|------|---|------------|
|   |        |       | max. | max. |      |   |            |
| Operating current (ACTV-PRE)              | ICC0   | -A75B | 800  | 900  | mA   | CKE ≥ VIH, tRC = min.                   | 1, 2, 5    |
|   |        | -B75B | 760  | 855  |      |   |            |
|   |        | -10B  | 640  | 720  |      |   |            |
| Operating current (ACTV-READ-PRE)         | ICC1   | -A75B | 1240 | 1395 | mA   | CKE ≥ VIH, BL = 2, CL = 2.5, tRC = min. | 1, 2, 5    |
|   |        | -B75B | 1160 | 1305 |      |   |            |
|   |        | -10B  | 1040 | 1170 |      |   |            |
| Idle power down standby current           | ICC2P  | -A75B | 144  | 162  | mA   | CKE ≤ VIL                               | 4          |
|   |        | -B75B | 120  | 135  |      |   |            |
|   |        | -10B  | 96   | 108  |      |   |            |
| Idle standby current                      | ICC2N  | -A75B | 320  | 360  | mA   | CKE ≥ VIH, /CS ≥ VIH                    | 4          |
|   |        | -B75B | 280  | 315  |      |   |            |
|   |        | -10B  | 240  | 270  |      |   |            |
| Active power down standby current         | ICC3P  | -A75B | 200  | 225  | mA   | CKE ≤ VIL                               | 3          |
|   |        | -B75B | 160  | 180  |      |   |            |
|   |        | -10B  | 120  | 135  |      |   |            |
| Active standby current                    | ICC3N  | -A75B | 400  | 450  | mA   | CKE ≥ VIH, /CS ≥ VIH, tRAS = max.       | 3          |
|   |        | -B75B | 360  | 405  |      |   |            |
|   |        | -10B  | 320  | 360  |      |   |            |
| Operating current (Burst read operation)  | ICC4R  | -A75B | 1800 | 2025 | mA   | CKE ≥ VIH, BL = 2, CL = 2.5             | 1, 2, 5, 6 |
|   |        | -B75B | 1720 | 1935 |      |   |            |
|   |        | -10B  | 1640 | 1845 |      |   |            |
| Operating current (Burst write operation) | ICC4W  | -A75B | 1640 | 1845 | mA   | CKE ≥ VIH, BL = 2, CL = 2.5             | 1, 2, 5, 6 |
|   |        | -B75B | 1560 | 1755 |      |   |            |
|   |        | -10B  | 1480 | 1665 |      |   |            |
| Auto refresh current                      | ICC5   | -A75B | 1640 | 1845 | mA   | tRFC = min., Input ≤ VIL or ≥ VIH       |            |
|   |        | -B75B | 1600 | 1800 |      |   |            |
|   |        | -10B  | 1440 | 1620 |      |   |            |
| Self refresh current                      | ICC6   |       | 24   | 27   | mA   | Input ≥ VCC – 0.2V<br>Input ≤ 0.2V.     |            |

Notes. 1. These ICC data are measured under condition that DQ pins are not connected.

2. One bank operation.
3. One bank active.
4. All banks idle.
5. Command/Address transition once per one cycle.
6. Data/Data mask transition twice per one cycle.
7. The ICC data on this table are measured with regard to tCK = min. in general.

## DC Characteristics2 (TA = 0 to 55°C, VCC, VCCQ = 2.5V ± 0.2V, VSS = 0V)

| Parameter              | Symbol | min.       | max.       | Unit | Test condition       | Notes |
|------------------------|--------|------------|------------|------|----------------------|-------|
| Input leakage current  | ILI    | -10        | 10         | μA   | VCC ≥ VIN ≥ VSS      |       |
| Output leakage current | ILO    | -10        | 10         | μA   | VCC ≥ VOUT ≥ VSS     |       |
| Output high voltage    | VOH    | VTT + 0.76 | —          | V    | IOH (max.) = -15.2mA |       |
| Output low voltage     | VOL    | —          | VTT - 0.76 | V    | IOL (min.) = 15.2mA  |       |

## Pin Capacitance (TA = 25°C, VCC, VCCQ = 2.5V ± 0.2V)

### [HB54A2568FM]

| Parameter                             | Symbol | Pins           | min. | max. | Unit | Notes |
|---------------------------------------|--------|----------------|------|------|------|-------|
| Input capacitance                     | CI1    | Address, Cont. | —    | 85   | pF   | 1     |
| Input capacitance                     | CI2    | CKE, /S        | —    | 75   | pF   | 1     |
| Input capacitance                     | CI3    | CK, /CK        | —    | 65   |      |       |
| Data and DQS input/output capacitance | CO     | DQ, DQS        | —    | 15   | pF   | 1, 2  |

### [HB54A2569FM]

| Parameter                             | Symbol | Pins           | min. | max. | Unit | Notes |
|---------------------------------------|--------|----------------|------|------|------|-------|
| Input capacitance                     | CI1    | Address, Cont. | —    | 92   | pF   | 1     |
| Input capacitance                     | CI2    | CKE, /S        | —    | 82   | pF   | 1     |
| Input capacitance                     | CI3    | CK, /CK        | —    | 65   |      |       |
| Data and DQS input/output capacitance | CO     | DQ, DQS, CB    | —    | 15   | pF   | 1, 2  |

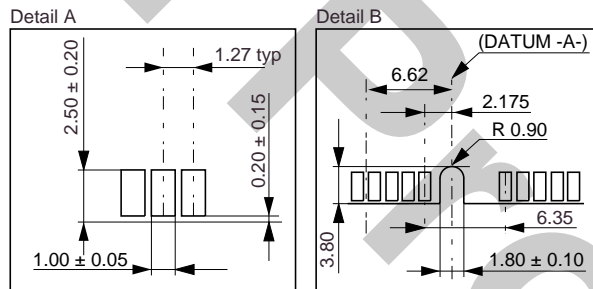
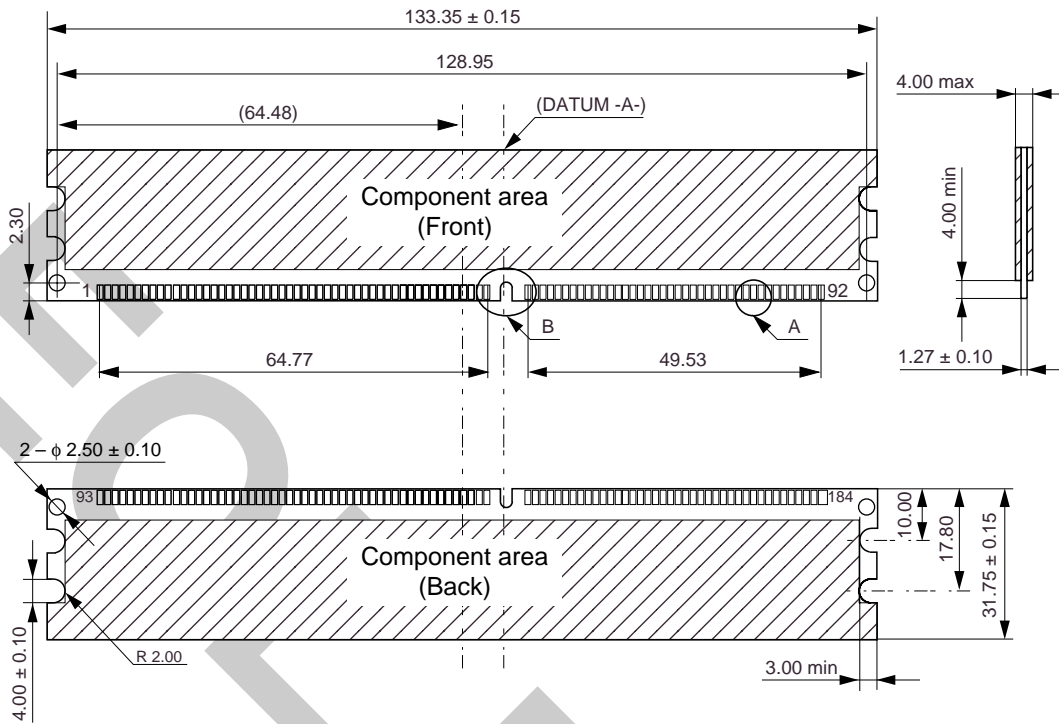
- Notes: 1. These parameters are measured on conditions: f = 100MHz, VOUT = VCCQ/2, ΔVOUT = 0.2V.  
 2. Dout circuits are disabled.

### Timing Parameter Measured in Clock Cycle for Unbuffered DIMM

| Parameter   | Symbol | Number of clock cycle |      |
|---|--------|-----------------------|------|
|   |        | min.                  | max. |
| Write to pre-charge command delay (same bank)                     | tWPD   | 3 + BL/2              |      |
| Read to pre-charge command delay (same bank)                      | tRPD   | BL/2                  |      |
| Write to read command delay (to input all data)                   | tWRD   | 2 + BL/2              |      |
| Burst stop command to write command delay (CL = 2)                | tBSTW  | 2                     |      |
| (CL = 2.5)  | tBSTW  | 3                     |      |
| Burst stop command to DQ High-Z (CL = 2)                          | tBSTZ  | 2                     |      |
| (CL = 2.5)  | tBSTZ  | 2.5                   |      |
| Read command to write command delay (to output all data) (CL = 2) | tRWD   | 2 + BL/2              |      |
| (CL = 2.5)  | tRWD   | 3 + BL/2              |      |
| Pre-charge command to High-Z (CL = 2)                             | tHWP   | 2                     |      |
| (CL = 2.5)  | tHWP   | 2.5                   |      |
| Write command to data in latency                                  | tWCD   | 1                     |      |
| Write recovery  | tWR    | 2                     |      |
| DM to data in latency   | tDMD   | 0                     |      |
| Register set command to active or register set command            | tMRD   | 2                     |      |
| Self refresh exit to non-read command                             | tSNR   | 10                    |      |
| Self refresh exit to read command                                 | tSRD   | 200                   |      |
| Power down entry  | tPDEN  |                       | 1    |
| Power down exit to command input                                  | tPDEX  |                       | 1    |
| CKE minimum pulse width   | tCKEPW | 1                     |      |

Physical Outline

Unit: mm



Note: Tolerance on all dimensions  $\pm 0.13$  unless otherwise specified.

ECA-TS2-0040-01

**CAUTION FOR HANDLING MEMORY MODULES**

When handling or inserting memory modules, be sure not to touch any components on the modules, such as the memory ICs, chip capacitors and chip resistors. It is necessary to avoid undue mechanical stress on these components to prevent damaging them.

In particular, do not push module cover or drop the modules in order to protect from mechanical defects, which would be electrical defects.

When re-packing memory modules, be sure the modules are not touching each other.

Modules in contact with other modules may cause excessive mechanical stress, which may damage the modules.

MDE0202

**NOTES FOR CMOS DEVICES****① PRECAUTION AGAINST ESD FOR MOS DEVICES**

Exposing the MOS devices to a strong electric field can cause destruction of the gate oxide and ultimately degrade the MOS devices operation. Steps must be taken to stop generation of static electricity as much as possible, and quickly dissipate it, when once it has occurred. Environmental control must be adequate. When it is dry, humidifier should be used. It is recommended to avoid using insulators that easily build static electricity. MOS devices must be stored and transported in an anti-static container, static shielding bag or conductive material. All test and measurement tools including work bench and floor should be grounded. The operator should be grounded using wrist strap. MOS devices must not be touched with bare hands. Similar precautions need to be taken for PW boards with semiconductor MOS devices on it.

**② HANDLING OF UNUSED INPUT PINS FOR CMOS DEVICES**

No connection for CMOS devices input pins can be a cause of malfunction. If no connection is provided to the input pins, it is possible that an internal input level may be generated due to noise, etc., hence causing malfunction. CMOS devices behave differently than Bipolar or NMOS devices. Input levels of CMOS devices must be fixed high or low by using a pull-up or pull-down circuitry. Each unused pin should be connected to  $V_{DD}$  or GND with a resistor, if it is considered to have a possibility of being an output pin. The unused pins must be handled in accordance with the related specifications.

**③ STATUS BEFORE INITIALIZATION OF MOS DEVICES**

Power-on does not necessarily define initial status of MOS devices. Production process of MOS does not define the initial operation status of the device. Immediately after the power source is turned ON, the MOS devices with reset function have not yet been initialized. Hence, power-on does not guarantee output pin levels, I/O settings or contents of registers. MOS devices are not initialized until the reset signal is received. Reset operation must be executed immediately after power-on for MOS devices having reset function.

CME0107



The information in this document is subject to change without notice. Before using this document, confirm that this is the latest version.

No part of this document may be copied or reproduced in any form or by any means without the prior written consent of Elpida Memory, Inc.

Elpida Memory, Inc. does not assume any liability for infringement of any intellectual property rights (including but not limited to patents, copyrights, and circuit layout licenses) of Elpida Memory, Inc. or third parties by or arising from the use of the products or information listed in this document. No license, express, implied or otherwise, is granted under any patents, copyrights or other intellectual property rights of Elpida Memory, Inc. or others.

Descriptions of circuits, software and other related information in this document are provided for illustrative purposes in semiconductor product operation and application examples. The incorporation of these circuits, software and information in the design of the customer's equipment shall be done under the full responsibility of the customer. Elpida Memory, Inc. assumes no responsibility for any losses incurred by customers or third parties arising from the use of these circuits, software and information.

#### **[Product applications]**

Elpida Memory, Inc. makes every attempt to ensure that its products are of high quality and reliability. However, users are instructed to contact Elpida Memory's sales office before using the product in aerospace, aeronautics, nuclear power, combustion control, transportation, traffic, safety equipment, medical equipment for life support, or other such application in which especially high quality and reliability is demanded or where its failure or malfunction may directly threaten human life or cause risk of bodily injury.

#### **[Product usage]**

Design your application so that the product is used within the ranges and conditions guaranteed by Elpida Memory, Inc., including the maximum ratings, operating supply voltage range, heat radiation characteristics, installation conditions and other related characteristics. Elpida Memory, Inc. bears no responsibility for failure or damage when the product is used beyond the guaranteed ranges and conditions. Even within the guaranteed ranges and conditions, consider normally foreseeable failure rates or failure modes in semiconductor devices and employ systemic measures such as fail-safes, so that the equipment incorporating Elpida Memory, Inc. products does not cause bodily injury, fire or other consequential damage due to the operation of the Elpida Memory, Inc. product.

#### **[Usage environment]**

This product is not designed to be resistant to electromagnetic waves or radiation. This product must be used in a non-condensing environment.

If you export the products or technology described in this document that are controlled by the Foreign Exchange and Foreign Trade Law of Japan, you must follow the necessary procedures in accordance with the relevant laws and regulations of Japan. Also, if you export products/technology controlled by U.S. export control regulations, or another country's export control laws or regulations, you must follow the necessary procedures in accordance with such laws or regulations.

If these products/technology are sold, leased, or transferred to a third party, or a third party is granted license to use these products, that third party must be made aware that they are responsible for compliance with the relevant laws and regulations.

M01E0107