

PLEASE CHECK WWW.MOLEX.COM FOR LATEST PART INFORMATION

Part Number: [0022057178](#)
Status: **Active**
Overview: [kk](#)
Description: 2.54mm (.100") Pitch KK® Wire-to-Board Header, Right Angle, with Friction Lock, 17 Circuits

Documents:

| | |
|--|---|
| 3D Model | Product Specification PS-99020-0088 (PDF) |
| Drawing (PDF) | RoHS Certificate of Compliance (PDF) |
| Product Specification PS-10-07 (PDF) | |

Agency Certification

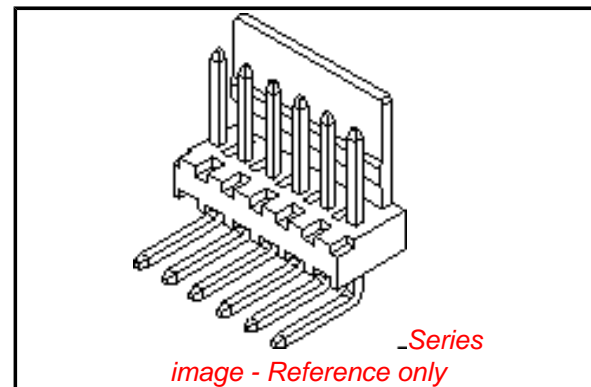
| | |
|-----|---------|
| CSA | LR19980 |
| UL | E29179 |

General

| | |
|----------------|----------------------|
| Product Family | PCB Headers |
| Series | 7395 |
| Application | Wire-to-Board |
| Overview | kk |
| Product Name | KK® |

Physical

| | |
|--------------------------------|-----------------|
| Breakaway | No |
| Circuits (Loaded) | 17 |
| Circuits (maximum) | 17 |
| Color - Resin | Natural (White) |
| Durability (mating cycles max) | 25 |
| First Mate / Last Break | No |
| Flammability | 94V-0 |
| Glow-Wire Compliant | No |
| Guide to Mating Part | No |
| Keying to Mating Part | None |
| Lock to Mating Part | Yes |
| Material - Metal | Brass |
| Material - Plating Mating | Tin |
| Material - Plating Termination | Tin |
| Material - Resin | Nylon |
| Number of Rows | 1 |
| Orientation | Right Angle |
| PC Tail Length (in) | 0.150 In |
| PC Tail Length (mm) | 3.80 mm |
| PCB Locator | No |
| PCB Retention | None |
| Packaging Type | Bag |
| Pitch - Mating Interface (in) | 0.100 In |
| Pitch - Mating Interface (mm) | 2.54 mm |
| Pitch - Term. Interface (in) | 0.100 In |
| Pitch - Term. Interface (mm) | 2.54 mm |
| Plating min: Mating (µin) | 200 |
| Plating min: Mating (µm) | 5 |
| Plating min: Termination (µin) | 200 |
| Plating min: Termination (µm) | 5 |
| Polarized to Mating Part | Yes |
| Polarized to PCB | No |
| Shrouded | No |



EU RoHS

ELV and RoHS Compliant
REACH SVHC
 Not Reviewed
Halogen-Free Status
 Not Reviewed

China RoHS



Need more information on product environmental compliance?

Email productcompliance@molex.com
 For a multiple part number RoHS Certificate of Compliance, [click here](#)

Please visit the [Contact Us](#) section for any non-product compliance questions.

Search Parts in this Series

[7395Series](#)

Mates With

[2695](#) KK® Crimp Terminal Housing. [6471](#) KK® Crimp Terminal Housing. [7720](#) KK® IDT Double Cantilever

| | |
|--------------------------------|-----------------|
| Stackable | No |
| Surface Mount Compatible (SMC) | No |
| Temperature Range - Operating | -40°C to +105°C |
| Termination Interface: Style | Through Hole |

Electrical

| | |
|-------------------------------|------|
| Current - Maximum per Contact | 4A |
| Voltage - Maximum | 250V |

Solder Process Data

| | |
|------------------------------|------------------------|
| Lead-free Process Capability | Wave Capable (TH only) |
|------------------------------|------------------------|

Material Info

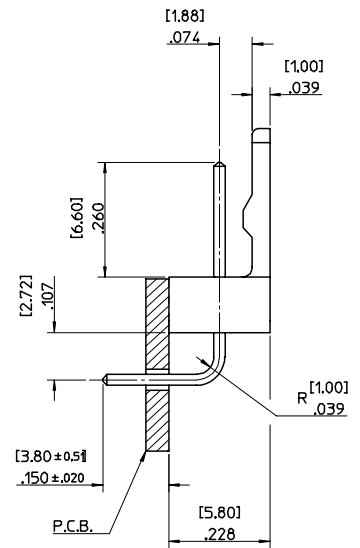
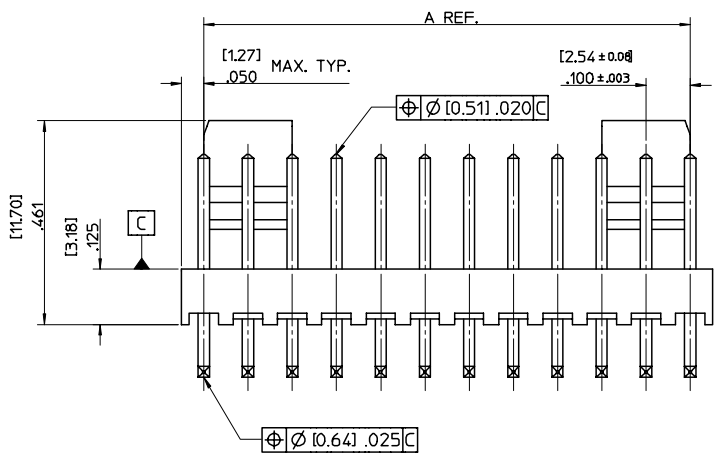
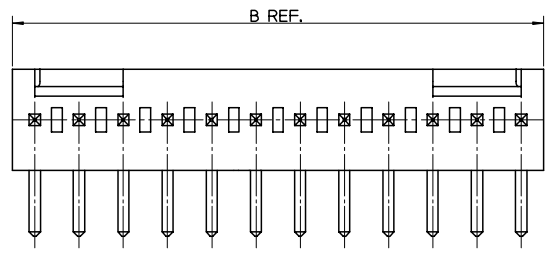
| | |
|-----------------|---------|
| Old Part Number | 739517B |
|-----------------|---------|

Reference - Drawing Numbers

| | |
|-------------------------|-------------------------|
| Packaging Specification | PK-7478-001 |
| Product Specification | PS-10-07, PS-99020-0088 |
| Sales Drawing | SD-7395-001 |

This document was generated on 05/24/2010

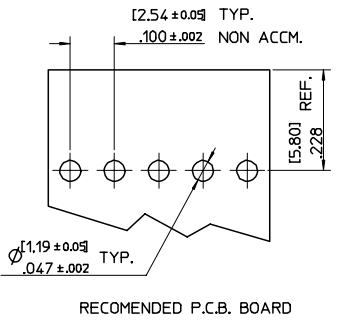
PLEASE CHECK WWW.MOLEX.COM FOR LATEST PART INFORMATION



| NO. OF CCTS | DIM. A | DIM. B | ENG. NO. | PART NO. | ENG. NO. | PART NO. |
|-------------|------------|------------|-------------|------------|--------------|------------|
| 2 | 2.54/100 | 5.08/200 | AE-7395-2B | 22-05-7028 | AE-7395-2BG | 22-12-4022 |
| 3 | 5.08/200 | 7.62/300 | AE-7395-3B | 22-05-7038 | AE-7395-3BG | 22-12-4032 |
| 4 | 7.62/300 | 10.16/400 | AE-7395-4B | 22-05-7048 | AE-7395-4BG | 22-12-4042 |
| 5 | 10.16/400 | 12.70/500 | AE-7395-5B | 22-05-7058 | AE-7395-5BG | 22-12-4052 |
| 6 | 12.70/500 | 15.24/600 | AE-7395-6B | 22-05-7068 | AE-7395-6BG | 22-12-4062 |
| 7 | 15.24/600 | 17.78/700 | AE-7395-7B | 22-05-7078 | AE-7395-7BG | 22-12-4072 |
| 8 | 17.78/700 | 20.32/800 | AE-7395-8B | 22-05-7088 | AE-7395-8BG | 22-12-4082 |
| 9 | 20.32/800 | 22.86/900 | AE-7395-9B | 22-05-7098 | AE-7395-9BG | 22-12-4092 |
| 10 | 22.86/900 | 25.40/1000 | AE-7395-10B | 22-05-7108 | AE-7395-10BG | 22-12-4102 |
| 11 | 25.40/1000 | 27.94/1100 | AE-7395-11B | 22-05-7118 | AE-7395-11BG | 22-12-4112 |
| 12 | 27.94/1100 | 30.48/1200 | AE-7395-12B | 22-05-7128 | AE-7395-12BG | 22-12-4122 |
| 13 | 30.48/1200 | 33.02/1300 | AE-7395-13B | 22-05-7138 | AE-7395-13BG | 22-12-4132 |
| 14 | 33.02/1300 | 35.56/1400 | AE-7395-14B | 22-05-7148 | AE-7395-14BG | 22-12-4142 |
| 15 | 35.56/1400 | 38.10/1500 | AE-7395-15B | 22-05-7158 | AE-7395-15BG | 22-12-4152 |
| 16 | 38.10/1500 | 40.64/1600 | AE-7395-16B | 22-05-7168 | AE-7395-16BG | 22-12-4162 |
| 17 | 40.64/1600 | 43.18/1700 | AE-7395-17B | 22-05-7178 | AE-7395-17BG | 22-12-4172 |
| 18 | 43.18/1700 | 45.72/1800 | AE-7395-18B | 22-05-7188 | AE-7395-18BG | 22-12-4182 |
| 19 | 45.72/1800 | 48.26/1900 | AE-7395-19B | 22-05-7198 | AE-7395-19BG | 22-12-4192 |
| 20 | 48.26/1900 | 50.80/2000 | AE-7395-20B | 22-05-7208 | AE-7395-20BG | 22-12-4202 |

PIN FINISH:
[0.005]/0.0002 MIN. TIN OVER
[0.003]/0.0001 MIN. COPPER

PIN FINISH:
[0.0005]/0.00002 MIN. GOLD OVER
[0.0008]/0.00003 MIN. NICKEL



AE-7395-N B

NO. OF CCTS.

WAFER ASSY. OPTION

PLATING TYPE
BLANK: TIN
G: GOLD

- NOTES:-
- MATERIALS:
WAFER: NYLON 6/6, UL 94, V-0, NATURAL COLOUR
PIN: [0.64]/0.25 SQUARE HARD DRAWN BRASS
FINISH: SEE CHART
 - PIN SOLDERABILITY PER MOLEX SPECIFICATION NUMBER 152
 - PIN PUSH OUT FORCE [0.907 KG]/2.0 LBS MIN.
 - PARTS TO BE FLAT WITHIN [0.13]/0.005 IN/IN
 - WAFERS STACKABLE END TO END

| | | | | | | |
|--|-----------------------------|--|--|-----------------------------|------------------------|------------------------|
| ORIGINAL RELEASE EC NO. E2005-1071 DRAWN: JDENNEHY 2005/06/20 CHKD: GMCWEENEY 2005/06/20 APPR: JDENNEHY 2005/07/07 | QUALITY SYMBOLS =0 =0 | GENERAL TOLERANCES (UNLESS SPECIFIED) mm INCH 4 PLACES ± --- ± --- 3 PLACES ± --- ± .010 2 PLACES ± 0.25 ± .015 1 PLACE ± 0.38 ± --- ANGULAR ± 2 ° | DIMENSION STYLE MM ONLY DRAWN BY DATE JDENNEHY 2005/05/13 CHECKED BY DATE GMCWEENEY 2005/05/27 APPROVED BY DATE JDENNEHY 2005/05/27 | SCALE 5:1 | DESIGN UNITS METRIC | THIRD ANGLE PROJECTION |
| REV A | DESCRIPTION | DRAFT WHERE APPLICABLE MUST REMAIN WITHIN DIMENSIONS | SEE CHART | DOCUMENT NO. SD-7395-001 | SHEET NO. 1 OF 1 | |

TITLE: WAFER, R/A FRICTION LOCK (2.54)/.100 CENTERS (0.64)/.025 SQ. PIN

MOLEX INCORPORATED

THIS DRAWING CONTAINS INFORMATION THAT IS PROPRIETARY TO MOLEX INCORPORATED AND SHOULD NOT BE USED WITHOUT WRITTEN PERMISSION