



5 mm x 7 mm Ceramic Low Noise SMD VCXO,
LVCMOS / LVPECL / LVDS



I631 - Series

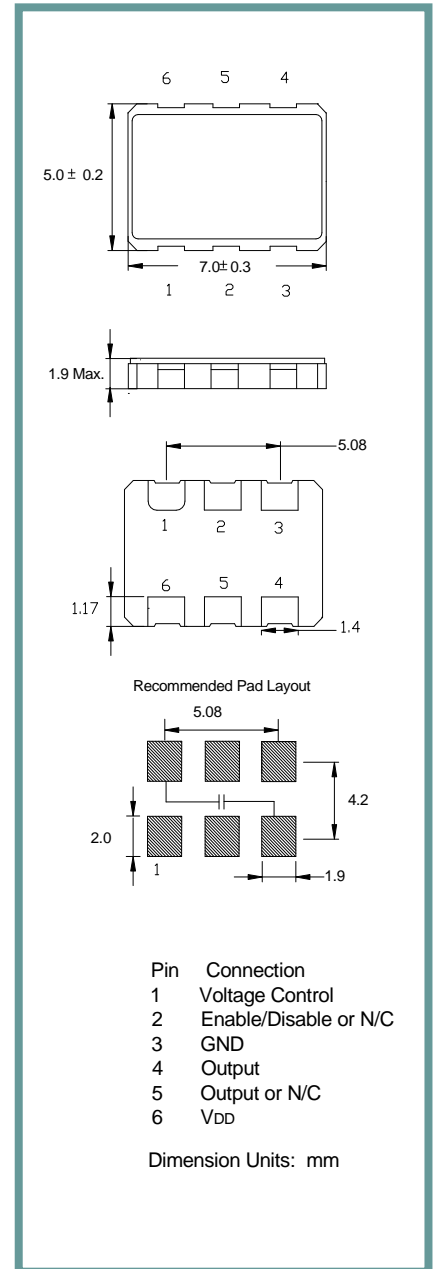
Product Features

Small Surface Mount Package
Low RMS Phase Jitter
Frequencies to 1500 MHz
Pb Free/ RoHS Compliant
Leadfree Processing

Applications

xDSL
Broadcast video
Wireless Base Stations
Sonet /SDH
WiMAX/WLAN
Server and Storage
Ethernet/LAN/WAN
Optical modules
Clock and data recovery
FPGA/ASIC
Backplanes
GPON

Frequency LVCMOS LVPECL LVDS	10 MHz to 225 MHz 10 MHz to 1500 MHz 10 MHz to 1500 MHz
Output Level LVCMOS LVPECL LVDS	VOH=90% VDD min., VOL=10 % VDD max. VOH=VDD-1.03V max. (Nom. Load), VOL=VDD-1.6V max. (Nom. Load) VOD=(Diff. Output) 350mV Typ.
Duty Cycle LVCMOS LVPECL LVDS	50% ±5% @ 50%VDD 50% ±5% @ 50%* 50% ±5% @ 50%*
Rise / Fall Time LVCMOS LVPECL LVDS	3.0 ns max. (90%/10%)* 0.6 ns max. (80%/20%)* 0.6 ns max. (80%/20%)*
Output Load LVCMOS LVPECL LVDS	15pF 50 Ω to VDD - 2.0 VDC RL=100 Ω/CL=10pF
Frequency Stability	See Table Below
Supply Voltage	3.3 VDC ± 10%, 2.5 VDC ± 5%
Current	LVCMOS = 25 mA max., LVPECL = 60 mA max. LVDS = 35 mA max.
Linearity	10% max.
Pullability	See Table Below
Control Voltage	1.65 VDC ± 1.65 VDC @ 3.3V 1.25 VDC ± 1.25 VDC @ 2.5V
Input Impedance	50K Ω min.
Phase Jitter (RMS) At 12kHz to 20 MHz	0.5 ps typical
Operating Temp. Range	See Table Below
Storage	-40° C to +100° C



Part Number Guide		Sample Part Number: I631-31AB9H2-155.520						
Package	Input Voltage	Operating Temperature	Stability (in ppm)	Pullability	Output	Enable / Disable (Pin 2)	Complimentary Ouput (Pin 5) **	Frequency
I631	3 = 3.3V	1 = 0° C to +70° C	F = ±20	B = ± 50	3 = LVCMOS	H = Enable	1 = N.C.	-155.520 MHz
	6 = 2.5V	3 = -20° C to +70° C	A = ±25	C = ±100	8 = LVDS	O = N/C	2 = Output	
		2 = -40° C to +85° C	B = ±50		9 = LVPECL			

NOTE: A 0.01 μF bypass capacitor is recommended between V_{DD} (pin 6) and GND (pin 3) to minimize power supply noise. * Measured as percent of waveform. ** Available on LVDS and LVPECL output only.

ILSI America Phone: 775-851-8880 • Fax: 775-851-8882 • e-mail: e-mail@ilsiamerica.com • www.ilsiamerica.com



5 mm x 7 mm Ceramic Low Noise SMD VCXO,
LVCMOS / LVPECL / LVDS

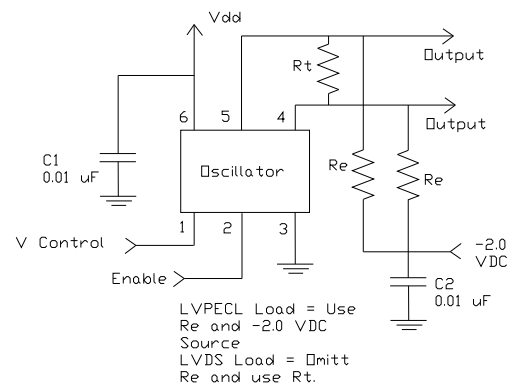
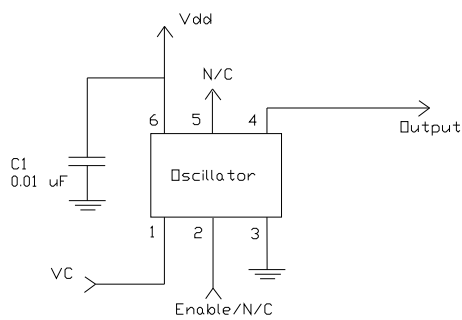


1631 - Series

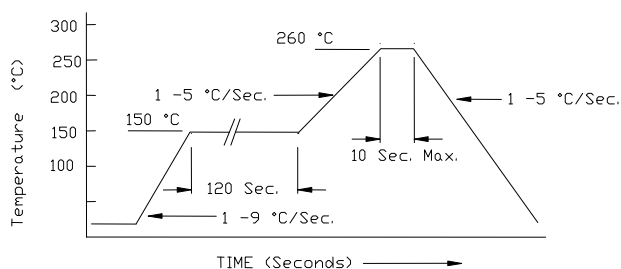
SSB Phase Noise (typ.)

Offset	77.76 MHz	155.52 MHz	622.08 MHz
10Hz	-75 dBc/Hz	-62 dBc/Hz	-47 dBc/Hz
100Hz	-105 dBc/Hz	-101 dBc/Hz	-79 dBc/Hz
1kHz	-117 dBc/Hz	-112 dBc/Hz	-100 dBc/Hz
10kHz	-123 dBc/Hz	-115 dBc/Hz	-104 dBc/Hz
100kHz	-125 dBc/Hz	-118 dBc/Hz	-106 dBc/Hz

Typical Application:



Pb Free Solder Reflow Profile:



*Units are backward compatible with 240C reflow processes

Package Information:

MSL = N.A. (package does not contain plastic, storage life is unlimited under normal room conditions).
Termination = e4 (Au over Ni over W base metalization).

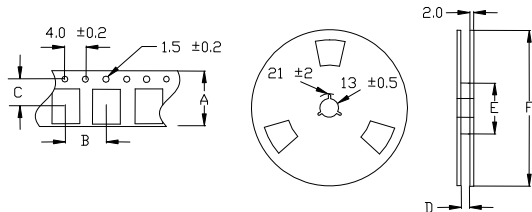


5 mm x 7 mm Ceramic Low Noise SMD VCXO,
LVCMOS / LVPECL / LVDS



I631 - Series

Tape and Reel Information:



Quantity per Reel	1000
A	16 +/- .3
B	8 +/- .2
C	7.5 +/- .2
D	17.5 +/- 1
E	50 / 60 / 80
F	180 / 250

Environmental Specifications

Thermal Shock	MIL-STD-883, Method 1011, Condition A
Moisture Resistance	MIL-STD-883, Method 1004
Mechanical Shock	MIL-STD-883, Method 2002, Condition B
Mechanical Vibration	MIL-STD-883, Method 2007, Condition A
Resistance to Soldering Heat	J-STD-020C, Table 5-2 Pb-free devices (except 2 cycles max)
Hazardous Substance	Pb-Free / RoHS / Green Compliant
Solderability	JESD22-B102-D Method 2 (Preconditioning E)
Terminal Strength	MIL-STD-883, Method 2004, Test Condition D
Gross Leak	MIL-STD-883, Method 1014, Condition C
Fine Leak	MIL-STD-883, Method 1014, Condition A2, R1=2x10 ⁻⁸ atm cc/s
Solvent Resistance	MIL-STD-202, Method 215

Marking

Line 1: ILSI and Date Code (YWW)

Line 2: Frequency