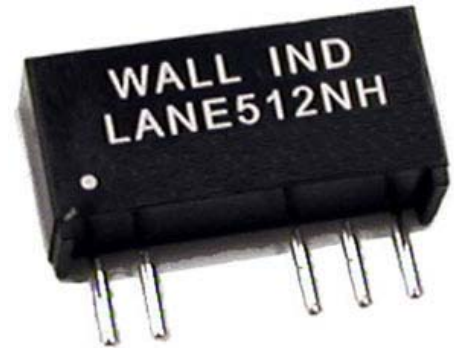


FEATURES

- MTBF > 1M Hours
- 7 Pin SIP Package
- 1 Watt Output Power
- 3000VDC I/O Isolation
- Single and Dual Outputs
- UL 94V-0 Package Material
- Input 5, 12, 15, 24, and 48VDC
- Industrial Grade -40°C to +85°C “I” Option



DESCRIPTION

When your application demands low power, minimal board space, and a high level of input/output isolation is necessary, the LANEH miniature converters offer superior solutions at an economical price. Users have a multitude of options and operational ratings to choose from in custom-tailoring the converter to application demands. Populating a scant 0.179 square inches of board space, the LANEH provides one watt of power while maintaining specifications over the entire commercial operating temperature range.

SPECIFICATIONS: LANEH Series

All specifications apply @ 25°C ambient unless otherwise noted

INPUT SPECIFICATIONS

Input Voltage Range	±5%
Nominal Input Voltage	5, 12, 15, 24, and 48 VDC
Input Voltage Tolerance.....	±5%
Input Filtering	Low ESR Capacitors

OUTPUT SPECIFICATIONS

Output Voltage	see table
Voltage Tolerance.....	±5% (nom. Line, 100% load)
Output Current	see table
Output Power	1 Watt max.
Line Regulation (10% to 100% FL).....	±1.2% / 1% of Vin
Load Regulation (10% to 100% FL)	
5V output	15% max
9, 12, and 15V outputs	10% max
Ripple/Noise (20 MHz BW).....	150mVp-p max.

PROTECTION SPECIFICATIONS

Short Circuit Protection.....	Short term
-------------------------------	------------

GENERAL SPECIFICATIONS

Efficiency	70% typ.
Switching Frequency.....	100KHz typ.
Isolation Voltage (Input to Output)	3000VDC min.
Isolation Resistance	1000MΩ min. @ 500VDC

ENVIRONMENTAL SPECIFICATIONS

Operating Temperature	0°C ~ +70°C
“I” suffix	-40°C ~ +85°C
Storage Temperature	-25°C ~ +100°C
Cooling	Free air convection
MTBF.....	1,000,000 hours

PHYSICAL SPECIFICATIONS

Dimensions	
5, 12, 15, and 24V input.....	19.5(L) x 6(W) x 10(H) mm
48V input.....	19.5(L) x 7.5(W) x 10(H) mm
Case Material	Non-Conductive black plastic
Potting material	Epoxy (UL94-V0)

Due to advances in technology, specifications subject to change without notice



Wall Industries, Inc.

LANEH Series
Single and Dual Output
1 Watt DC/DC Converter

OUTPUT VOLTAGE / CURRENT RATING CHART

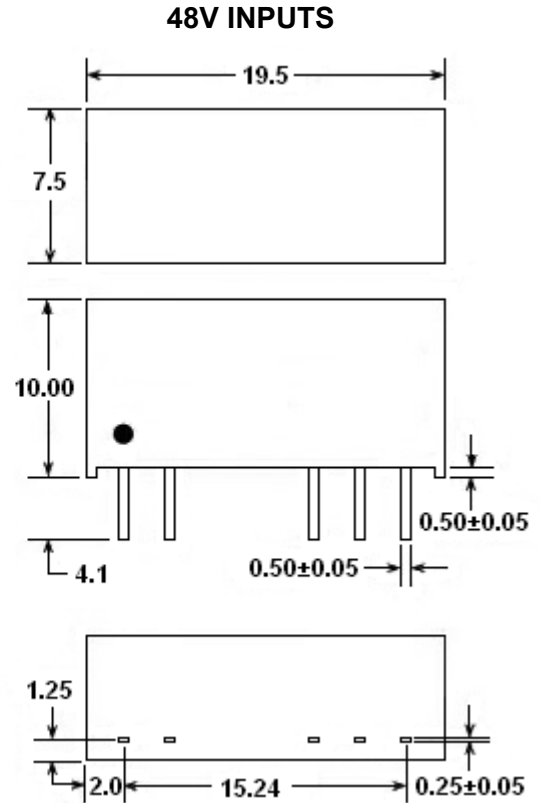
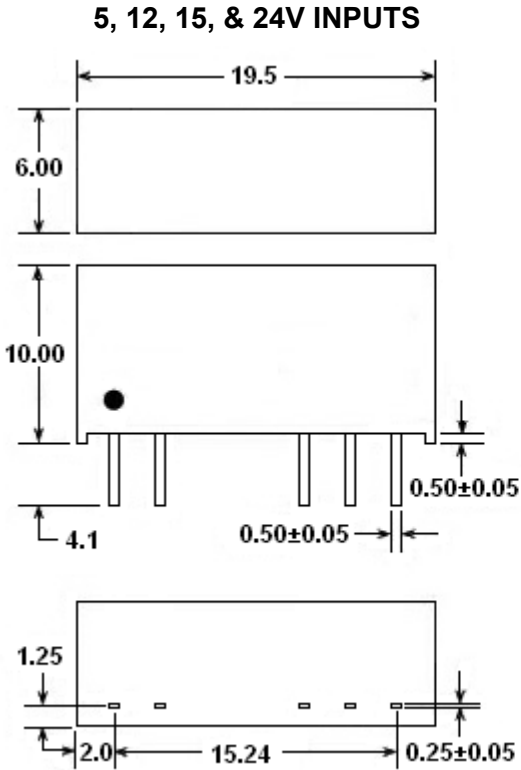
Model Number	Input Voltage	Output Voltage	Output Current	Efficiency (Typ.)
LANE505NH	5 VDC	5 VDC	200 mA	70%
LANE509NH	5 VDC	9 VDC	112 mA	75%
LANE512NH	5 VDC	12 VDC	85 mA	75%
LANE515NH	5 VDC	15 VDC	66 mA	75%
LANE505NDH	5 VDC	±5 VDC	±100 mA	70%
LANE509NDH	5 VDC	±9 VDC	±56 mA	75%
LANE512NDH	5 VDC	±12 VDC	±42 mA	75%
LANE515NDH	5 VDC	±15 VDC	±33 mA	75%
LANE1205NH	12 VDC	5 VDC	200 mA	70%
LANE1209NH	12 VDC	9 VDC	112 mA	75%
LANE1212NH	12 VDC	12 VDC	85 mA	75%
LANE1215NH	12 VDC	15 VDC	66 mA	75%
LANE1205NDH	12 VDC	±5 VDC	±100 mA	70%
LANE1209NDH	12 VDC	±9 VDC	±56 mA	75%
LANE1212NDH	12 VDC	±12 VDC	±42 mA	75%
LANE1215NDH	12 VDC	±15 VDC	±33 mA	75%
LANE1224NDH	12 VDC	±24VDC	±21mA	75%
LANE1505NH	15 VDC	5 VDC	200 mA	70%
LANE1509NH	15 VDC	9 VDC	112 mA	75%
LANE1512NH	15 VDC	12 VDC	85 mA	75%
LANE1515NH	15 VDC	15 VDC	66 mA	75%
LANE1505NDH	15 VDC	±5 VDC	±100 mA	70%
LANE1509NDH	15 VDC	±9 VDC	±56 mA	75%
LANE1512NDH	15 VDC	±12 VDC	±42 mA	75%
LANE1515NDH	15 VDC	±15 VDC	±33 mA	75%
LANE2405NH	24 VDC	5 VDC	200 mA	70%
LANE2409NH	24 VDC	9 VDC	112 mA	75%
LANE2412NH	24 VDC	12 VDC	85 mA	75%
LANE2415NH	24 VDC	15 VDC	66 mA	75%
LANE2405NDH	24 VDC	±5 VDC	±100 mA	70%
LANE2409NDH	24 VDC	±9 VDC	±56 mA	75%
LANE2412NDH	24 VDC	±12 VDC	±42 mA	75%
LANE2415NDH	24 VDC	±15 VDC	±33 mA	75%
LANE4805NH	48 VDC	5 VDC	200 mA	70%
LANE4809NH	48 VDC	9 VDC	112 mA	75%
LANE4812NH	48 VDC	12 VDC	85 mA	75%
LANE4815NH	48 VDC	15 VDC	66 mA	75%
LANE4805NDH	48 VDC	±5 VDC	±100 mA	70%
LANE4809NDH	48 VDC	±9 VDC	±56 mA	75%
LANE4812NDH	48 VDC	±12 VDC	±42 mA	75%
LANE4815NDH	48 VDC	±15 VDC	±33 mA	75%

NOTES

1. For industrial grade operating temperature of -40°C to +85°C add suffix "I" to the part number.
2. All case and pin-to-case measurements for reference only unless otherwise noted.
3. Dimensions of 5, 12, 15, and 24V input models are 19.5(L) x 6(W) x 10(H) mm and the dimensions of the 48V input models are 19.5(L) x 7.5(W) x 10(H) mm.

MECHANICAL DRAWING

Unit: mm



PIN CONNECTION		
PIN	SINGLE	DUAL
1	+INPUT	+INPUT
2	-INPUT	-INPUT
5	-OUTPUT	-OUTPUT
6	NO PIN	COMMON
7	+OUTPUT	+OUTPUT

DERATING CURVE

