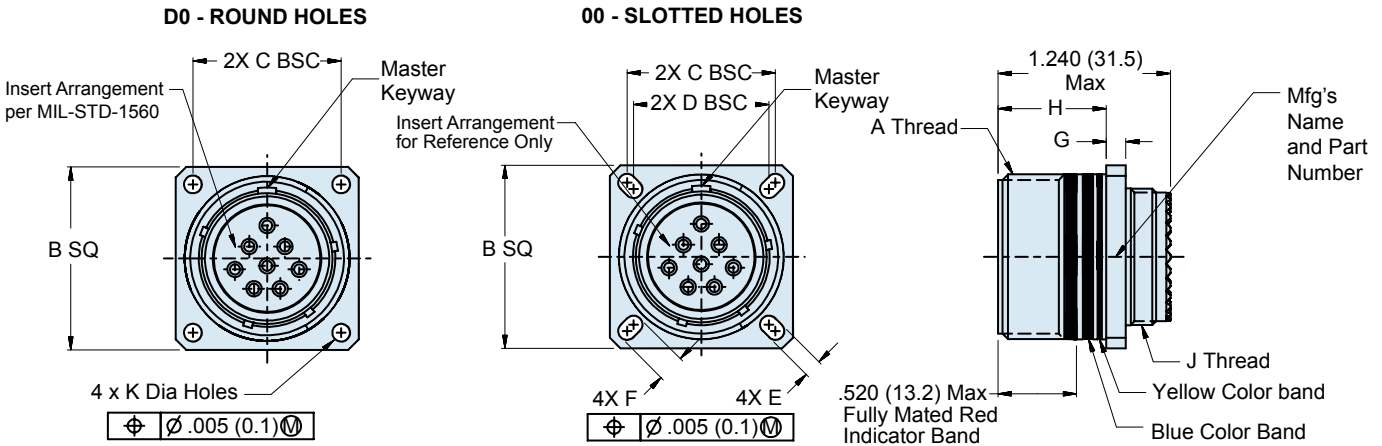
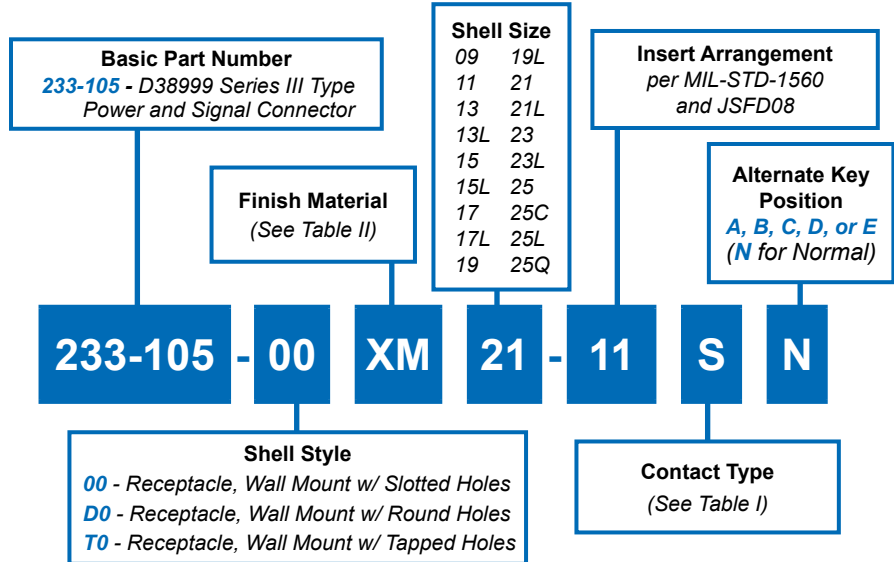




233-105-00, D0 and T0 MIL-DTL-38999 Series III Type Wall Mount Environmental Receptacle Connector

| TABLE II: FINISH | | |
|------------------|-----------|--------------------------------------|
| SYM | MATERIAL | FINISH |
| XM | Composite | Electroless Nickel |
| XMT | Composite | Ni-PTFE 1000 Hour Grey™ |
| XW | Composite | Cadmium O.D. Over Electroless Nickel |



Consult factory for available insert arrangements.
Metric Dimensions in Parenthesis.

| TABLE I: CONTACT TYPES | | | | |
|------------------------|----------------------|-----------|--------|----------------------|
| Ordering Code | Assembly Dash Number | Wire Size | Type | Military Part Number |
| P | 850-002-16-364 | #16 - #20 | Pin | M39029/58-364 |
| S | 850-001-16-352 | #16 - #20 | Socket | M39029/56-352 |
| A | Less pin contacts | | | |
| B | Less socket contacts | | | |

F

233-105-00, D0 and T0
MIL-DTL-38999 Series III Type
Wall Mount Environmental Receptacle Connector



TABLE III: SHELL SIZE

| Shell Size Code | Shell Size | A Thread | B SQ | C BSC | G | H | J Thread | K Holes Dia |
|-----------------|------------|----------------------|------------------------------|--------------|----------------------------|----------------------------|---------------------|--------------------------|
| A | 09 | .6250-.1P-.3L-TS-2A | .949 (24.1) .925 (23.5) | .719 (18.3) | .144 (3.7) .083 (2.1) | .823 (20.9) .768 (19.5) | M12 x 1.0-6g 0.100R | .136 (3.5) .120 (3.0) |
| B | 11 | .7500-.1P-.3L-TS-2A | 1.043 (26.5) 1.019 (25.9) | .812 (20.6) | .144 (3.7) .083 (2.1) | .823 (20.9) .768 (19.5) | M15 x 1.0-6g 0.100R | .136 (3.5) .120 (3.0) |
| C | 13 | .8750-.1P-.3L-TS-2A | 1.138 (28.9) 1.114 (28.3) | .906 (23.0) | .144 (3.7) .083 (2.1) | .823 (20.9) .768 (19.5) | M18 x 1.0-6g 0.100R | .136 (3.5) .120 (3.0) |
| D | 15 | 1.0000-.1P-.3L-TS-2A | 1.232 (31.3) 1.208 (30.7) | .969 (24.6) | .144 (3.7) .083 (2.1) | .823 (20.9) .768 (19.5) | M22 x 1.0-6g 0.100R | .136 (3.5) .120 (3.0) |
| E | 17 | 1.1875-.1P-.3L-TS-2A | 1.323 (33.6) 1.299 (33.0) | 1.062 (27.0) | .144 (3.7) .083 (2.1) | .823 (20.9) .768 (19.5) | M25 x 1.0-6g 0.100R | .136 (3.5) .120 (3.0) |
| F | 19 | 1.2500-.1P-.3L-TS-2A | 1.449 (36.8) 1.425 (36.2) | 1.156 (29.4) | .144 (3.7) .083 (2.1) | .823 (20.9) .768 (19.5) | M28 x 1.0-6g 0.100R | .136 (3.5) .120 (3.0) |
| G | 21 | 1.3750-.1P-.3L-TS-2A | 1.575 (40.0) 1.551 (39.4) | 1.250 (31.8) | .171 (65.2) .083 (39.8) | .791 (20.0) .736 (18.7) | M31 x 1.0-6g 0.100R | .136 (3.5) .120 (3.0) |
| H | 23 | 1.5000-.1P-.3L-TS-2A | 1.701 (43.2) 1.677 (42.6) | 1.375 (34.9) | .171 (65.2) .083 (39.8) | .791 (20.0) .736 (18.7) | M34 x 1.0-6g 0.100R | .162 (4.1) .146 (3.7) |
| J | 25 | 1.6250-.1P-.3L-TS-2A | 1.823 (46.3) 1.799 (45.7) | 1.500 (38.1) | .171 (65.2) .083 (39.8) | .791 (20.0) .736 (18.7) | M37 x 1.0-6g 0.100R | .162 (4.1) .146 (3.7) |

TABLE IV: PANEL CUTOUTS

| Shell Size Code | Shell Size | M Ø Min | N Ø Min | P Ø Holes | R BSC |
|-----------------|------------|--------------|--------------|--------------------------|--------------|
| A | 09 | .656 (16.7) | .516 (13.1) | .133 (3.4) .123 (3.1) | .719 (18.3) |
| B | 11 | .796 (20.2) | .625 (15.9) | .133 (3.4) .123 (3.1) | .812 (20.6) |
| C | 13 | .922 (23.4) | .750 (19.1) | .133 (3.4) .123 (3.1) | .906 (23.0) |
| D | 15 | 1.047 (26.6) | .906 (23.0) | .133 (3.4) .123 (3.1) | .969 (24.6) |
| E | 17 | 1.219 (31.0) | 1.016 (25.8) | .133 (3.4) .123 (3.1) | 1.062 (27.0) |
| F | 19 | 1.297 (32.9) | 1.141 (29.0) | .133 (3.4) .123 (3.1) | 1.156 (29.4) |
| G | 21 | 1.422 (36.1) | 1.266 (32.2) | .133 (3.4) .123 (3.1) | 1.250 (31.8) |
| H | 23 | 1.547 (39.3) | 1.375 (34.9) | .159 (4.0) .149 (3.8) | 1.375 (34.9) |
| J | 25 | 1.672 (42.5) | 1.484 (37.7) | .155 (3.9) .145 (3.7) | 1.500 (38.1) |

