



# LR1118

## LINEAR INTEGRATED CIRCUIT

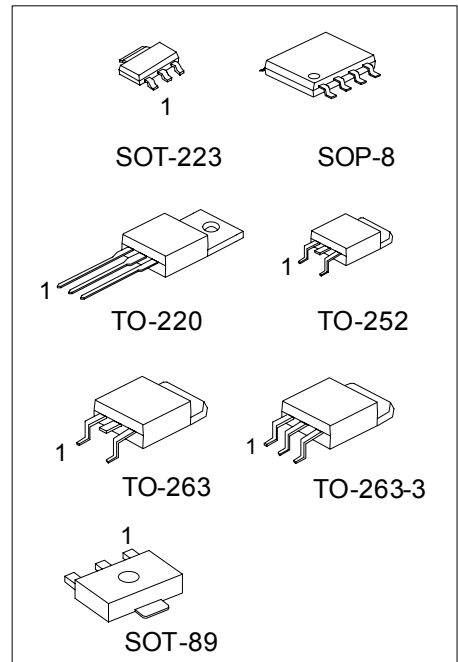
### LOW DROP POSITIVE VOLTAGE REGULATORS

■ DESCRIPTION

The UTC **LR1118** is a low drop voltage regulator able to provide up to 1A of output current, available also for adjustable version ( $V_{REF}=1.24V$ ). Output consists of pnp power transistor. So that dropout voltage can be extremely low.

■ FEATURES

- \* 2.85V device are suitable for SCSI-2 active termination
- \* Output current up to 1A
- \* Adjustable version available. ( $V_{REF}=1.24V$ )
- \* Internal current and thermal limit
- \* Available in  $\pm 1\%$  (at 25°C) and 2% in all temperature range



\*Pb-free plating product number: LR1118L

■ ORDERING INFORMATION

Order Number		Package	Pin Assignment	Packing
Normal	Lead Free Plating			
LR1118-xx-AA3- -	LR1118L-xx-AA3- -	SOT-223	A: GOI B: OGI C: GIO D: IGO	R: Tape Reel T: Tube
LR1118-xx-AB3- -	LR1118L-xx-AB3- -	SOT-89		
LR1118-xx-TA3- -	LR1118L-xx-TA3- -	TO-220		
LR1118-xx-TN3- -	LR1118L-xx-TN3- -	TO-252		
LR1118-xx-TQ2- -	LR1118L-xx-TQ2- -	TO-263		
LR1118-xx-TQ3- -	LR1118L-xx-TQ3- -	TO-263-3		
LR1118-xx-S08- -	LR1118L-xx-S08- -	SOP-8	GOOIxOOx	

Note: 1. Pin assignment: I:Vin O:Vout G:GND x:NC  
2. xx: Output Voltage, refer to Marking Information.

<p>LR1118L-xx-AA3- (1)-(5)</p> <p>(1)Packing Type (2)Pin Assignment (3)Package Type (4)Output Voltage Code (5)Lead Plating</p>	<p>(1) R: Tape Reel, T: Tube (2) refer to Pin Assignment (3) AA3: SOT-223, AB3: SOT-89, TA3: TO-220 TN3: TO-252, TQ2: TO-263, TQ3: TO-263-3, S08: SOP-8 (4) xx: refer to Marking Information (5) L: Lead Free Plating Blank: Pb/Sn</p>
--	--

# LR1118

## LINEAR INTEGRATED CIRCUIT

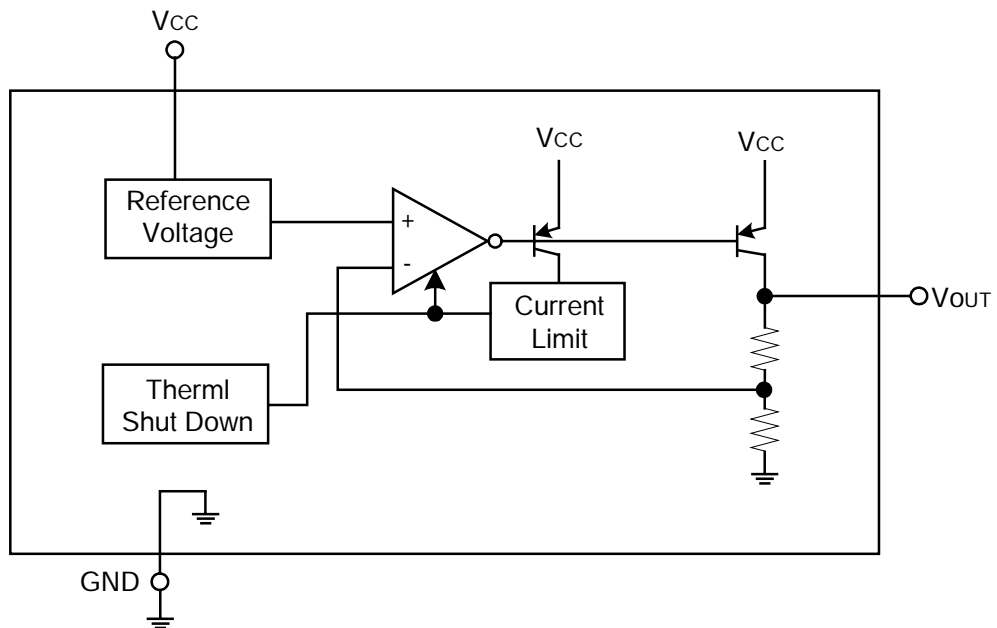
### MARKING INFORMATION

PACKAGE	VOLTAGE CODE	MARKING
SOT-89	18 : 1.8V 25 : 2.5V 30 : 3.0V 33 : 3.3V 50 : 5.0V	<p>DATE CODE ← R1118 → VOLTAGE CODE                      → PIN CODE                      → LEAD PLATING                      1 2 3</p>
SOT-223		<p>→ LEAD PLATING                      → PIN CODE                      → DATE CODE                      ← VOLTAGE CODE                      1 2 3</p>
TO-220 TO-252 TO-263 TO-263-3		<p>→ LEAD PLATING                      → PIN CODE                      → DATE CODE                      ← VOLTAGE CODE                      1 2 3</p>

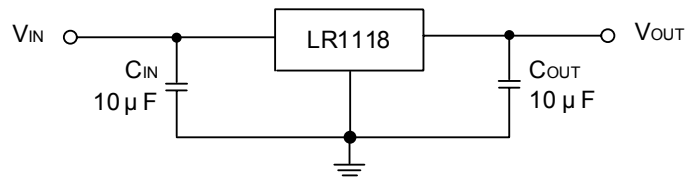
### THERMAL DATA

PARAMETER	SYMBOL	RATINGS	UNIT
Thermal Resistance Junction-Case	$\theta_{JC}$	15	°C/W
		15	
		20	
		8	
		4	
		4	

### ■ BLOCK DIAGRAM



### ■ APPLICATION CIRCUIT



## ■ ABSOLUTE MAXIMUM RATINGS

PARAMETER	SYMBOL	RATINGS	UNIT
DC Input Voltage	$V_{IN}$	15	V
Operating Junction Temperature	$T_{OPR}$	0 ~ +125	°C
Storage Temperature	$T_{STG}$	-40 ~ +150	°C

Note: 1. The device may be damaged while beyond Absolute Maximum Rating.

2. The device is guaranteed to meet performance specifications within 0°C~+70°C operation temperature range, and is assured by design from 0°C~+125°C.

## ■ ELECTRICAL CHARACTERISTICS

( $T_a=25^\circ\text{C}$ , refer to the test circuits,  $T_J=-0\sim 125^\circ\text{C}$ ,  $C_o=10\mu\text{F}$ , unless otherwise specified.)

### For LR1118-1.8V

PARAMETER	SYMBOL	TEST CONDITIONS	MIN	TYP	MAX	UNIT	
Output Voltage	$V_{OUT}$	$V_{IN}=V_{OUT}+1.5\text{V}$ , $I_{OUT}=10\text{mA}$ , $T_J=25^\circ\text{C}$	1%	1.782	1.8	1.818	V
			2%	1.764		1.836	
Output Voltage	$V_{OUT}$	$V_{IN}=(V_{OUT}+2\text{V})\sim 15\text{V}$ , $I_{OUT}=0$ to 1A	1.764	1.8	1.836	V	
Line Regulation	$\Delta V_{OUT}$	$V_{IN}=(V_{OUT}+2\text{V})\sim 15\text{V}$ , $I_{OUT}=0\text{A}$		0.1	0.6	%	
Load Regulation	$\Delta V_{OUT}$	$V_{IN}=V_{OUT}+2\text{V}$ , $I_{OUT}=0$ to 1A		2	3	%	
Temperature Stability	$\Delta V_{OUT}$			0.5		%	
Long Term Stability	$\Delta V_{OUT}$	1000 hrs, $T_J=125^\circ\text{C}$		0.3		%	
Operating Input Voltage	$V_{IN}$	$I_{OUT}=100\text{mA}$			15	V	
Quiescent Current	$I_D$	$V_{IN}\leq 10\text{V}$		5	10	mA	
Output Current	$I_{OUT}$	$V_{IN}=V_{OUT}+4.5\text{V}$ , $T_J=25^\circ\text{C}$	800	950	1200	mA	
Output Noise Voltage	eN	$B=10\text{Hz}\sim 10\text{KHz}$ , $T_J=25^\circ\text{C}$		100		$\mu\text{V}$	
Supply Voltage Rejection	SVR	$I_{OUT}=40\text{mA}$ , $f=120\text{Hz}$ , $T_J=25^\circ\text{C}$ $V_{IN}=V_{OUT}+2.5\text{V}$ , $V_{RIPPLE}=1\text{Vpp}$	60	75		dB	
Dropout Voltage	$V_D$	$I_{OUT}=100\text{mA}$ $I_{OUT}=1\text{A}$		0.32	0.48	V	
				0.65	0.88	V	
Thermal Regulation		$T_a=25^\circ\text{C}$ , 30ms Pulse		0.01	0.10	%/W	

### For LR1118-2.5V

PARAMETER	SYMBOL	TEST CONDITIONS	MIN	TYP	MAX	UNIT	
Output Voltage	$V_{OUT}$	$V_{IN}=V_{OUT}+1.5\text{V}$ , $I_{OUT}=10\text{mA}$ , $T_J=25^\circ\text{C}$	1%	2.475	2.5	2.525	V
			2%	2.450		2.550	
Output Voltage	$V_{OUT}$	$V_{IN}=(V_{OUT}+2\text{V})\sim 15\text{V}$ , $I_{OUT}=0$ to 1A	2.45	2.5	2.55	V	
Line Regulation	$\Delta V_{OUT}$	$V_{IN}=(V_{OUT}+2\text{V})\sim 15\text{V}$ , $I_{OUT}=0\text{A}$		0.1	0.6	%	
Load Regulation	$\Delta V_{OUT}$	$V_{IN}=V_{OUT}+2\text{V}$ , $I_{OUT}=0$ to 1A		2	3	%	
Temperature Stability	$\Delta V_{OUT}$			0.5		%	
Long Term Stability	$\Delta V_{OUT}$	1000 hrs, $T_J=125^\circ\text{C}$		0.3		%	
Operating Input Voltage	$V_{IN}$	$I_{OUT}=100\text{mA}$			15	V	
Quiescent Current	$I_D$	$V_{IN}\leq 10\text{V}$		5	10	mA	
Output Current	$I_{OUT}$	$V_{IN}=V_{OUT}+4.5\text{V}$ , $T_J=25^\circ\text{C}$	800	950	1200	mA	
Output Noise Voltage	eN	$B=10\text{Hz}\sim 10\text{KHz}$ , $T_J=25^\circ\text{C}$		100		$\mu\text{V}$	
Supply Voltage Rejection	SVR	$I_{OUT}=40\text{mA}$ , $f=120\text{Hz}$ , $T_J=25^\circ\text{C}$ $V_{IN}=V_{OUT}+2.5\text{V}$ , $V_{RIPPLE}=1\text{Vpp}$	60	75		dB	
Dropout Voltage	$V_D$	$I_{OUT}=100\text{mA}$ $I_{OUT}=1\text{A}$		0.16	0.25	V	
				0.56	0.7	V	
Thermal Regulation		$T_a=25^\circ\text{C}$ , 30ms Pulse		0.01	0.10	%/W	

## ■ ELECTRICAL CHARACTERISTICS (Cont.)

### For LR1118-3.0V

PARAMETER	SYMBOL	TEST CONDITIONS	MIN	TYP	MAX	UNIT
Output Voltage	$V_{OUT}$	$V_{IN}=V_{OUT}+1.5V, I_{OUT}=10mA, T_J=25^{\circ}C$	2.970	3.0	3.030	V
Output Voltage	$V_{OUT}$	$V_{IN}=(V_{OUT}+2V)\sim 15V, I_{OUT}=0$ to 1A	2.940	3.0	3.060	V
Line Regulation	$\Delta V_{OUT}$	$V_{IN}=(V_{OUT}+2V)\sim 15V, I_{OUT}=0A$		0.1	0.6	%
Load Regulation	$\Delta V_{OUT}$	$V_{IN}=V_{OUT}+2V, I_{OUT}=0$ to 1A		2	3	%
Temperature Stability	$\Delta V_{OUT}$			0.5		%
Long Term Stability	$\Delta V_{OUT}$	1000 hrs, $T_J=125^{\circ}C$		0.3		%
Operating Input Voltage	$V_{IN}$	$I_{OUT}=100mA$			15	V
Quiescent Current	$I_D$	$V_{IN}\leq 10V$		5	10	mA
Output Current	$I_{OUT}$	$V_{IN}=V_{OUT}+4.5V, T_J=25^{\circ}C$	800	950	1200	mA
Output Noise Voltage	eN	$B=10Hz \sim 10KHz, T_J=25^{\circ}C$		100		$\mu V$
Supply Voltage Rejection	SVR	$I_{OUT}=40mA, f=120Hz, T_J=25^{\circ}C$ $V_{IN}=V_{OUT}+2.5V, V_{RIPPLE}=1V_{pp}$	60	75		dB
Dropout Voltage	$V_D$	$I_{OUT}= 100mA$		0.11	0.26	V
		$I_{OUT}= 1A$		0.45	0.65	V
Thermal Regulation		$T_a=25^{\circ}C, 30ms$ Pulse		0.01	0.10	%/W

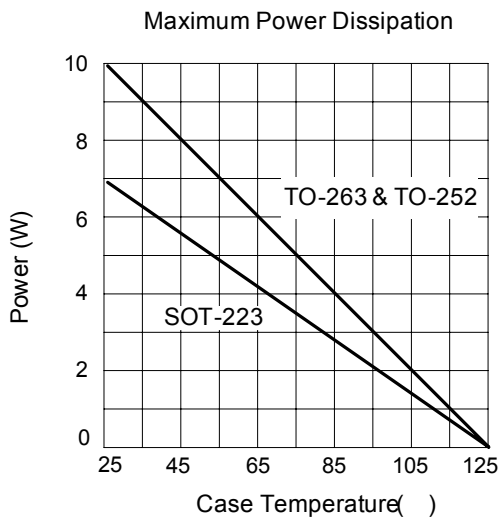
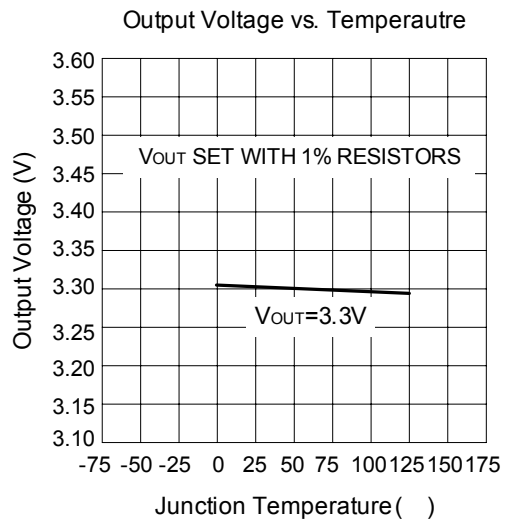
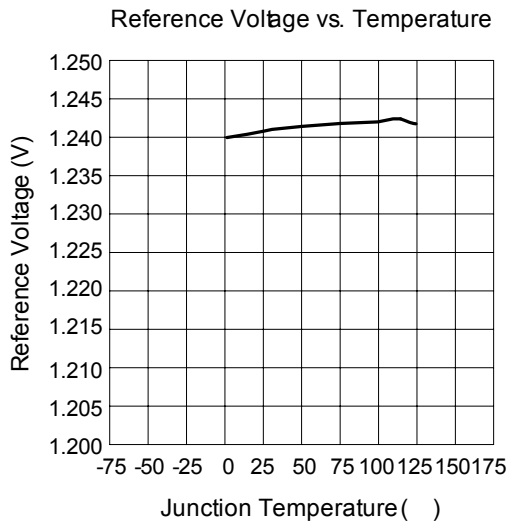
### For LR1118-3.3V

PARAMETER	SYMBOL	TEST CONDITIONS	MIN	TYP	MAX	UNIT
Output Voltage	$V_{OUT}$	$V_{IN}=V_{OUT}+1.5V, I_{OUT}=10mA, T_J=25^{\circ}C$	3.267	3.3	3.333	V
Output Voltage	$V_{OUT}$	$V_{IN}=(V_{OUT}+2V)\sim 15V, I_{OUT}=0$ to 1A	3.234	3.3	3.366	V
Line Regulation	$\Delta V_{OUT}$	$V_{IN}=(V_{OUT}+2V)\sim 15V, I_{OUT}=0A$		0.1	0.6	%
Load Regulation	$\Delta V_{OUT}$	$V_{IN}=V_{OUT}+2V, I_{OUT}=0$ to 1A		2	3	%
Temperature Stability	$\Delta V_{OUT}$			0.5		%
Long Term Stability	$\Delta V_{OUT}$	1000 hrs, $T_J=125^{\circ}C$		0.3		%
Operating Input Voltage	$V_{IN}$	$I_{OUT}=100mA$			15	V
Quiescent Current	$I_D$	$V_{IN}\leq 10V$		5	10	mA
Output Current	$I_{OUT}$	$V_{IN}=V_{OUT}+4.5V, T_J=25^{\circ}C$	800	950	1200	mA
Output Noise Voltage	eN	$B=10Hz \sim 10KHz, T_J=25^{\circ}C$		100		$\mu V$
Supply Voltage Rejection	SVR	$I_{OUT}=40mA, f=120Hz, T_J=25^{\circ}C$ $V_{IN}=V_{OUT}+2.5V, V_{RIPPLE}=1V_{pp}$	60	75		dB
Dropout Voltage	$V_D$	$I_{OUT}= 100mA$		0.11	0.26	V
		$I_{OUT}= 1A$		0.45	0.65	V
Thermal Regulation		$T_a=25^{\circ}C, 30ms$ Pulse		0.01	0.10	%/W

### For LR1118-5.0V

PARAMETER	SYMBOL	TEST CONDITIONS	MIN	TYP	MAX	UNIT
Output Voltage	$V_{OUT}$	$V_{IN}=V_{OUT}+1.5V, I_{OUT}=10mA, T_J=25^{\circ}C$	4.95	5.0	5.05	V
Output Voltage	$V_{OUT}$	$V_{IN}=(V_{OUT}+2V)\sim 15V, I_{OUT}=0$ to 1A	4.90	5.0	5.10	V
Line Regulation	$\Delta V_{OUT}$	$V_{IN}=(V_{OUT}+2V)\sim 15V, I_{OUT}=0A$		0.1	0.6	%
Load Regulation	$\Delta V_{OUT}$	$V_{IN}=V_{OUT}+2V, I_{OUT}=0$ to 1A		2	3	%
Temperature Stability	$\Delta V_{OUT}$			0.5		%
Long Term Stability	$\Delta V_{OUT}$	1000 hrs, $T_J=125^{\circ}C$		0.3		%
Operating Input Voltage	$V_{IN}$	$I_{OUT}=100mA$			15	V
Quiescent Current	$I_D$	$V_{IN}\leq 10V$		5	10	mA
Output Current	$I_{OUT}$	$V_{IN}=V_{OUT}+4.5V, T_J=25^{\circ}C$	800	950	1200	mA
Output Noise Voltage	eN	$B=10Hz \sim 10KHz, T_J=25^{\circ}C$		100		$\mu V$
Supply Voltage Rejection	SVR	$I_{OUT}=40mA, f=120Hz, T_J=25^{\circ}C$ $V_{IN}=V_{OUT}+2.5V, V_{RIPPLE}=1V_{pp}$	60	75		dB
Dropout Voltage	$V_D$	$I_{OUT}= 100mA$		0.11	0.26	V
		$I_{OUT}= 1A$		0.45	0.62	V
Thermal Regulation		$T_a=25^{\circ}C, 30ms$ Pulse		0.01	0.10	%/W

## TYPICAL CHARACTERISTICS



UTC assumes no responsibility for equipment failures that result from using products at values that exceed, even momentarily, rated values (such as maximum ratings, operating condition ranges, or other parameters) listed in products specifications of any and all UTC products described or contained herein. UTC products are not designed for use in life support appliances, devices or systems where malfunction of these products can be reasonably expected to result in personal injury. Reproduction in whole or in part is prohibited without the prior written consent of the copyright owner. The information presented in this document does not form part of any quotation or contract, is believed to be accurate and reliable and may be changed without notice.