

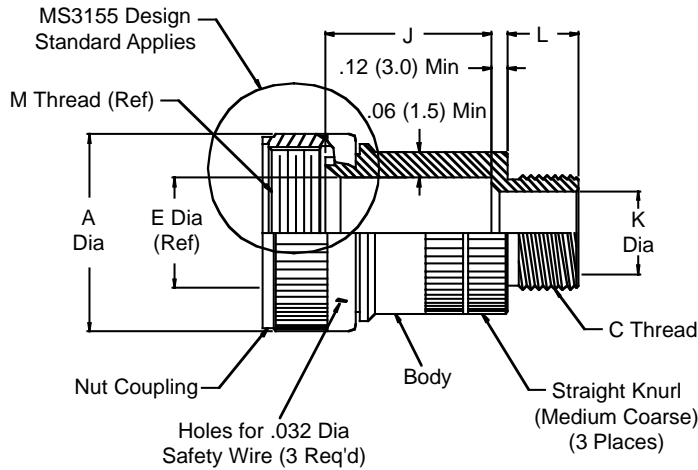
M24758/13 Adapter for Connectors with MS3155 Accessory Interface

M24758/13-16-08-01-A

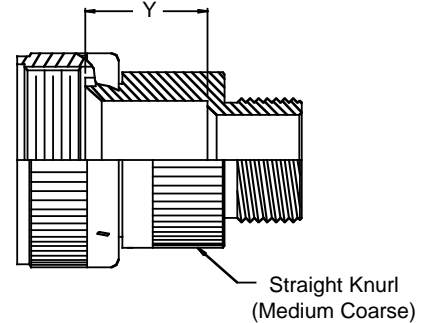
Basic Part No. _____
 Conduit Size Code _____
 (See Table I)
 Connector Dash Number _____
 (See Table II)

Material Designator:
 A = Aluminum
 B = Brass
 C = CRES 316

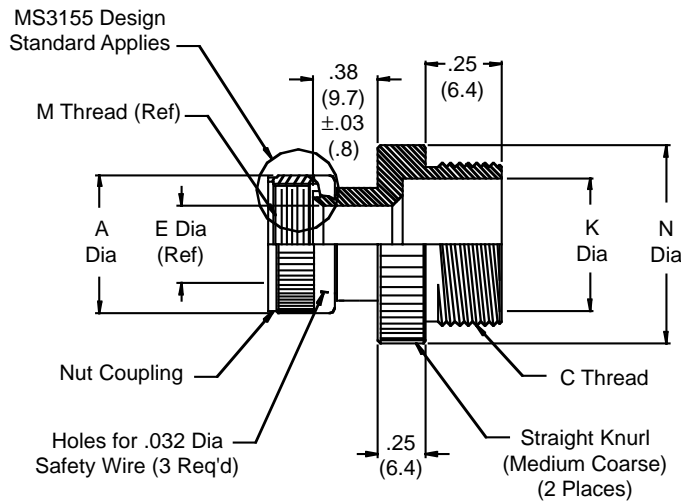
Style Designator



STYLE 01
 FOR USE WHEN E DIAMETER IS
 GREATER THAN K DIAMETER



STYLE 02
 SAME AS STYLE 01 EXCEPT Y
 DIMENSION IS LESS THAN J. STYLE
 02 IS USED WHEN THE EXTRA
 WORKING ROOM PROVIDED BY
 DIMENSION J OF STYLE 01 IS NOT A
 REQUIREMENT.



STYLE 03
 FOR USE WHEN E DIAMETER IS
 EQUAL TO OR LESS THAN K DIAMETER

M24758/13 Adapter for Connectors with MS3155 Accessory Interface



TABLE I

Conduit Size Code	C Thread (Class 2A)	L		K Dia Min.		N Dia	
		±.02	(.5)			±.02	(.5)
02	0.438 - 28 UNEF	.210	(5.3)	.250	(6.4)	.687	(17.4)
03	0.563 - 24 UNEF	.250	(6.4)	.370	(9.4)	.812	(20.6)
04	0.688 - 24 UNEF	.250	(6.4)	.500	(12.7)	.937	(23.8)
05	0.813 - 20 UNEF	.310	(7.9)	.620	(15.7)	1.062	(27.0)
06	0.938 - 20 UNEF	.310	(7.9)	.750	(19.1)	1.187	(30.1)
08	1.250 - 18 UNEF	.370	(9.4)	1.000	(25.4)	1.500	(38.1)
10	1.563 - 18 UNEF	.370	(9.4)	1.250	(31.8)	1.812	(46.0)
12	1.875 - 16 UN	.430	(10.9)	1.500	(38.1)	2.125	(54.0)
16	2.375 - 16 UN	.430	(10.9)	2.000	(50.8)	2.625	(66.7)
20	2.875 - 16 UN	.430	(10.9)	2.500	(63.5)	3.125	(79.4)
24	3.375 - 16 UN	.430	(10.9)	3.000	(76.2)	3.625	(92.1)

TABLE II (Connector Dash Numbers & Fitting Dimensions)

Conn. Dash No.	NAS 1599 & MIL-C-83723 (Series 1 & 3)		MIL-C-5015 (MS3400 Series)		MIL-C-81703 (Navy) (Series 3)		MIL-C-26482 (Series 2)		A Dia. Max.	M Thread (Class 2B) (Ref.) (Note 3)	E Dia. (Ref) Note 3	J (Style 01) (Style 02)		Y (Style 02)	
												±.03 (.8)	±.03 (.8)		
03					03				.669 (17.0)	0.563 - 24 UNEF	.270 (6.9)	1.060 (26.9)	.620 (15.7)		
08	08		8SL			08			.617 (15.7)	0.500 - 20 UNF	.270 (6.9)	1.060 (26.9)	.620 (15.7)		
10	10		10S, 10SL			10			.734 (18.6)	0.625 - 24 UNEF	.375 (9.5)	1.060 (26.9)	.690 (17.5)		
12	12		12, 12S		07	12			.858 (21.8)	0.750 - 20 UNEF	.511 (13.0)	1.060 (26.9)	.690 (17.5)		
14	14		14, 14S		12	13			.984 (25.0)	0.875 - 20 UNEF	.585 (14.9)	1.060 (26.9)	.750 (19.1)		
16	16		16, 16S		19	16			1.112 (28.2)	1.000 - 20 UNEF	.710 (18.0)	1.060 (26.9)	.750 (19.1)		
18	18		18		27	18			1.218 (30.9)	1.062 - 18 UNEF	.789 (20.0)	1.120 (28.4)	.750 (19.1)		
20	20		20		37	20			1.345 (34.2)	1.188 - 18 UNEF	.914 (23.2)	1.380 (35.1)	.810 (20.6)		
22	22		22			22			1.468 (37.3)	1.312 - 18 UNEF	1.039 (26.4)	1.830 (46.5)	.810 (20.6)		
24	24		24			24			1.593 (40.5)	1.438 - 18 UNEF	1.154 (29.3)	1.830 (46.5)	.810 (20.6)		
28			28						1.969 (50.0)	1.750 - 18 UNEF	1.389 (35.3)	2.300 (58.4)	.880 (22.4)		
32			32						2.219 (56.4)	2.000 - 18 UNS	1.635 (41.5)	2.550 (64.8)	.880 (22.4)		
36			36						2.469 (62.7)	2.250 - 16 UN	1.850 (47.0)	2.800 (71.1)	.880 (22.4)		
40			40						2.719 (69.1)	2.500 - 16 UN	2.065 (52.5)	3.050 (77.5)	.940 (23.9)		
44			44						2.969 (75.4)	2.750 - 16 UN	2.320 (58.9)	3.550 (90.2)	.940 (23.9)		
48			48						3.219 (81.8)	3.000 - 16 UN	2.570 (65.3)	3.620 (91.9)	.940 (23.9)		
61					61				1.653 (42.0)	1.500 - 18 UNEF	1.194 (30.3)	1.880 (47.8)	.810 (20.6)		

1. The M24758/13 adapter couples connectors listed in Table I to M24758/2, M24758/3 or M24758/4 conduit fittings.
2. The coupling nut end of this adapter shall conform to Military Standard MS3155 (Navy), "Connector, electric, rear accessory design standard". MS3155 takes precedence over this specification.
3. The E diameter and M-thread of this drawing are the same as the E diameter and M-thread of MS3155, and are included for reference purposes.
4. Metric dimensions (mm) are indicated in parentheses.
5. For complete dimensions see applicable Military Specification.