



## Cable glands

### The European Technical Standard DIN EN 50 262

#### Metric cable glands for electric installations - the end of the PG-Cable glands threads.

- The technical standards "Cable Glands for cables and conductors with PG standard threads" DIN 46320 (P1 - P4), DIN 46255, DIN 46259, DIN 46319 and DIN VDE 0619 became invalid on the 31 December 1999.
- Cable glands with PG threads are no longer standard.
- The design approvals granted in accordance with DIN VDE 0619: 1987 – 09 remained valid until 31.3.2001.
- The European Standard "Metric Cable Glands for Electrical Installations" EN 50 262 became valid on 1.4.1999.
- The EN Standard EN 50 262 is mandatory in all member countries of the European Union (EU) and associated countries collaborating with CENELEC (European Committee For Electrotechnical Standardization) who adopt the standard.
- That means that only metric cable glands are permitted to be used in new constructions as of 1.3.2001 in those countries described above.

We offer cable glands as a well balanced assortment for different applications.


- Cable glands made from plastic and brass
- EMC cable glands
- For hazardous areas in accordance with EN 50014, EN 50019 and ATEX
- VDE, CSA and UL approved

Cable entries, for example for enclosures or heavy duty connectors can be easily and reliably installed.

DIN 40050 protection classes:

- IP 54** Protection against dust accumulation as well as protection against water splash
- IP 65** Protection against dust inflow as well as protection against hose water
- IP 66** Protection against dust inflow as well as protection in the case of overflowing
- IP 68** Protection against dust inflow as well as protection when submerging
- IP 69** Protection against water under pressure

### Labelling of explosion protected electric equipment according to 'old' Ex approvals.


Name of manufacturer or logo	Type designation from manufacturer	Examination certificate number of EU test site	Symbol for electrical equipment certified by EU test site	Conformity to european standards certified	Risk of explosion	Abbreviation of protection classes used	Group of electrical devices
	16		 ATEX	E	Ex	e i	II

## Cable glands

### Labeling of devices and protection systems according ATEX

The following information must be clearly and permanently readable on every device and protection system:

Example:

Name of manufacturer or logo	Type/size designation from manufacturer	Number of EU-type-examination test certificate EU test site	Symbol of protection from explosion	Symbol of device group and category	Conformity to european standards certified	Risk of explosion	Abbreviation of applied type of protection classes	Device group
				II 2 G	E	EX	e ia	II

### Cable glands with metric connection thread

With the taking of effect of European standard EN 50 262 – metric cable glands for electric installation – the Europe-wide introduction of the metric ISO fine thread in cable glands took place on 01.01.2000.

The EN 60 423 standard lists the individual thread sizes. The previously-known thread sizes PG 7 to PG 48 (10 sizes) were replaced by the metric sizes M 12 to M 63 (8 sizes). This catalogue contains a large selection of metric cable glands Ex cables and cable entries for use in hazardous areas.

# Cable glands

## Cable glands

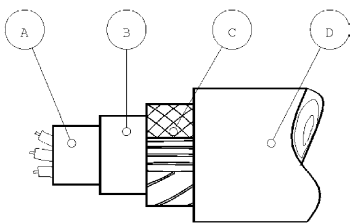
### Criteria for the selection of cable glands Type ADE

- Define the installation area, in which you want to use the glands
- Define the cable types to determine the requested functions
- Check the dimensions of the outer cable sheath
- Check the size and type of reinforcement
- Check the dimensions of the inner cable sheath
- Check the dimensions of the lead sheath
- Determine the environmental condition
- Check the accessories

### Installation instructions for endangered areas in accordance with the Standards CENELEC EN 50014 - 50018 - 50019

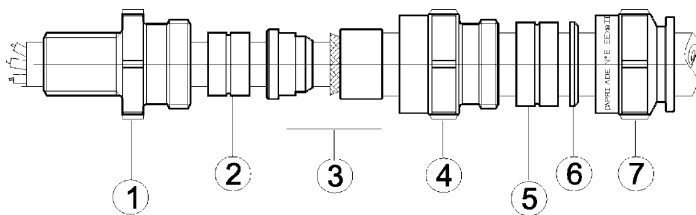
- Increased safety to Standard EN 50019; direct thread insertion into the enclosure or with a lock nut. Unused insertions have to be closed with a certified stopping plug.
- Flame protected in accordance with EN 50018; direct thread insertion into the enclosure with five full pitches (approx. 8 mm); Unused insertion have to be closed with a certified stopping plug.

### Armoured cable



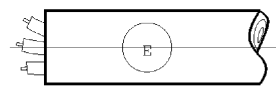
- A: Inner sheath
- B: Lead sheath
- C: Armouring (steel strip / SWA / braided)
- D: Outer sheath

### Cable glands for armoured cable



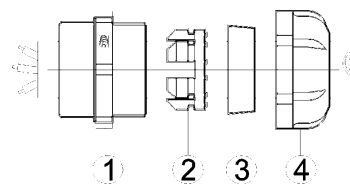
- 1: Gland
- 2: Sealing washer for inner cable sheath
- 3: Clamping module / Earthing of armouring
- 4: Base
- 5: Sealing washer for outer cable sheath
- 6: Washers
- 7: Union nut

### Non-armoured cable

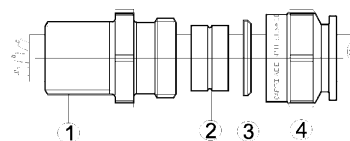


- E: Outer sheath

### Cable glands for non-armoured cable



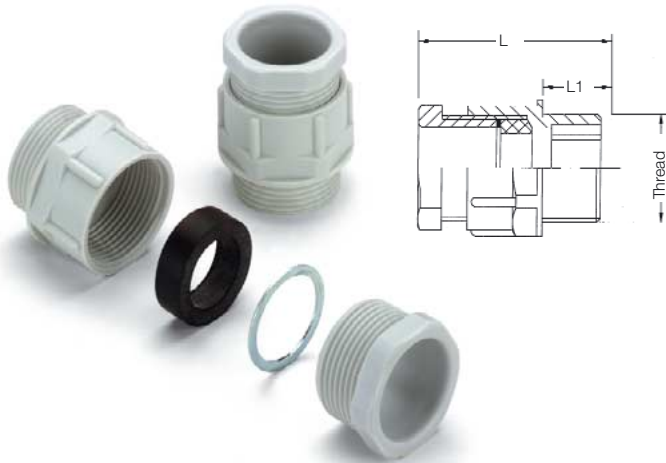
- 1: Gland
- 2: Clamping module
- 3: Sealing washer
- 4: Union nut



- 1: Gland
- 2: Sealing washer
- 3: Washer
- 4: Union nut

# Cable glands

## Plastic IP54



Reasonably priced cable glands IP 54

### Technical data

Material:	Polyamide connection thread M Polystyrene connection thread PG
Sealing:	Soft rubber
Temperature:	-20°C ... +60°C
Protection class:	IP54 (with thread sealing ring type GWDR ...-PO = IP65)
Colour:	similar grey RAL 7035

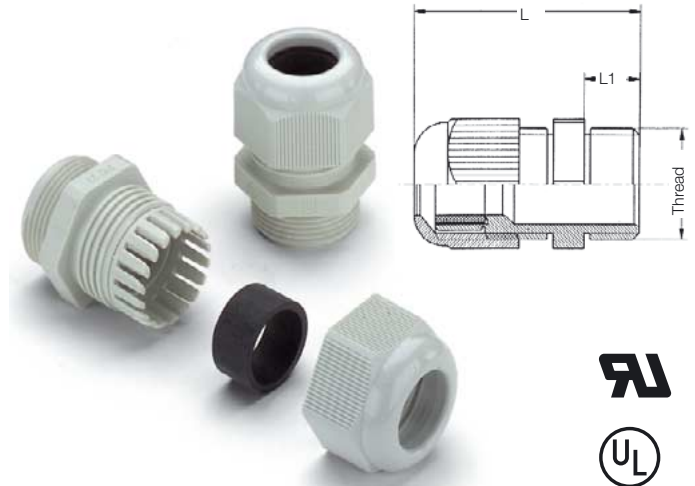
### Ordering data

Type	Thread	Clamp range	L	L1	SW1/SW2	Qty.	Cat. No.
<b>Metric gland plastic IP54</b>							
VGM12-K54	M 12 x 1.5	6.0 - 8.0	32	11	19/16	50	<b>1777080000</b>
VGM16-K54	M 16 x 1.5	8.0 - 10.0	32	11	19/16	50	<b>1777070000</b>
VGM20-K54	M 20 x 1.5	8.0 - 10.0	35	11	22/19	50	<b>1777050000</b>
VGM25-K54	M 25 x 1.5	12.0 - 14.0	39	11	27/23	50	<b>1777030000</b>
VGM25-K54	M 25 x 1.5	15.0 - 17.0	39	11	27/23	50	<b>1778830000</b>
VGM32-K54	M 32 x 1.5	24.0 - 26.0	44.50	11	42/40	25	<b>1777020000</b>
VGM40-K54	M 40 x 1.5	28.0 - 30.0	44.50	11	42/40	25	<b>1777010000</b>
VGM50-K54	M 50 x 1.5	31.0 - 33.0	53	11	53/50	10	<b>1776990000</b>
VGM63-K54	M 63 x 1.5	45.0 - 47.0	58	11	65/60	10	<b>1776980000</b>

Type	Thread	Clamp range	L	L1	SW	Qty.	Cat. No.
<b>PG gland plastic IP54</b>							
VG 7-K54	PG 7	5.0 - 7.0	28	8	15/13	50	<b>0521560000</b>
VG 9-K54	PG 9	6.0 - 8.0	29	8	19/17	50	<b>0261560000</b>
VG 11-K54	PG 11	8.0 - 10.0	32	8	22/19	50	<b>0260760000</b>
VG 13.5-K54	PG 13.5	10.0 - 12.0	34	9	24/21	50	<b>0260860000</b>
VG 16-K54	PG 16	12.0 - 14.0	38	10	27/23	25	<b>0261460000</b>
VG 21-K54	PG 21	15.0 - 17.0	43.5	11	32/30	20	<b>0260960000</b>
VG 29-K54	PG 29	24.0 - 26.0	44.5	11	42/40	20	<b>0261060000</b>
VG 36-K54	PG 36	31.0 - 33.0	55	13	53/50	10	<b>0497660000</b>
VG 42-K54	PG 42	39.0 - 40.0	60	13	60/55	10	<b>0497760000</b>
VG 48-K54	PG 48	45.0 - 47.0	61	14	65/60	5	<b>1718760000</b>

all sizes in mm

## Plastic IP68



Plastic cable glands IP68; VDE, CSA and UL tested; halogene-free.

EN 50262: metric



### Technical data

Material:	Polyamide
Sealing:	Neoprene
Temperature:	-40°C ... +70°C (peak +100°C)
Protection class:	IP68 / 5 bar in the stated clamping range with GWDR
Colour:	similar grey RAL 7035

### Ordering data

Type	Thread	Clamp range	L	L1	SW	Qty.	Cat. No.
<b>Metric gland plastic Approval: VDE</b>							
VG M 12 - K 68	M 12 x 1.5	3.0 - 6.5	31	8	15	50	<b>1772280000</b>
VG M 16 - K 68	M 16 x 1.5	5.0 - 10.0	35	10	22	50	<b>1772290000</b>
VG M 20 - K 68	M 20 x 1.5	6.0 - 12.0	43	10	24	50	<b>1772300000</b>
VG M 25 - K 68	M 25 x 1.5	13.0 - 18.0	48	10	33	25	<b>1772310000</b>
VG M 32 - K 68	M 32 x 1.5	18.0 - 25.0	61	15	42	20	<b>1772320000</b>
VG M 40 - K 68	M 40 x 1.5	22.0 - 32.0	72	15	53	20	<b>1772330000</b>
VG M 50 - K 68	M 50 x 1.5	30.0 - 38.0	74	18	60	10	<b>1772340000</b>
VG M 63 - K 68	M 63 x 1.5	34.0 - 44.0	75	18	65	5	<b>1772350000</b>

Type	Thread	Clamp range	L	L1	SW	Qty.	Cat. No.
<b>PG gland plastic Approval: VDE/UL</b>							
VG 7-K68	PG 7	3.0 - 6.5	30.5	8.0	15	50	<b>1568970000</b>
VG 9-K68	PG 9	4.0 - 8.0	34	8.0	19	50	<b>1568980000</b>
VG 11-K68	PG 11	5.0 - 10.0	37	8.0	22	50	<b>1568990000</b>
VG 13.5-K68	PG 13.5	6.0 - 12.0	39	9.0	24	50	<b>1569000000</b>
VG 16-K68	PG 16	10.0 - 14.0	42.5	10.0	27	25	<b>1569010000</b>
VG 21-K68	PG 21	13.0 - 18.0	48	11.0	33	20	<b>1569020000</b>
VG 29-K68	PG 29	18.0 - 25.0	53	11.0	42	20	<b>1569030000</b>
VG 36-K68	PG 36	22.0 - 32.0	65	13.0	53	10	<b>1569040000</b>
VG 42-K68	PG 42	30.0 - 38.0	68	13.0	60	10	<b>1569050000</b>
VG 48-K68	PG 48	34.0 - 44.0	69	14.0	65	5	<b>1718770000</b>

Type	Thread	Clamp range	L	L1	SW	Qty.	Cat. No.
<b>NPT gland plastic Approval: UL/CSA</b>							
VG NPT 3/8" 5-10-K 68	NPT 3/8"	5.0 - 10.0	42	15	22	50	<b>1772520000</b>
VG NPT 1/2" 6-12-K 68	NPT 1/2"	6.0 - 12.0	42	15	24	50	<b>1772550000</b>
VG NPT 1/2" 10-14-K 68	NPT 1/2"	10.0 - 14.0	45	15	27	25	<b>1772560000</b>
VG NPT 3/4" 13-18-K 68	NPT 3/4"	13.0 - 18.0	46	15	33	20	<b>1772590000</b>
VG NPT 1" 18-25-K 68	NPT 1"	18.0 - 25.0	60	18	42	20	<b>1772600000</b>

all sizes in mm

## Cable glands

### Cable glands brass IP54



Brass cable gland with hexagon threaded glands

#### Technical data

Material:	Nickel plated brass
Sealing:	Soft rubber
Temperature:	-20°C ... +60°C
Protection class:	IP54 (with thread sealing ring Type GWDR ...-PO = IP65)

#### Ordering data

Type	Thread	Clamp range	L	L1	SW1/SW2	Qty.	Cat. No.
<b>Metric gland brass IP 54, hexagonal</b>							
VGM12-MS54	M 12 x 1.5	5.0 - 7.0	21.50	6	14/13	100	<b>1778410000</b>
VGM12-MS54	M 12 x 1.5	6.0 - 8.0	22	6	17/15	100	<b>1778400000</b>
VGM16-MS54	M 16 x 1.5	8.0 - 10.0	26	6	20/18	100	<b>1778390000</b>
VGM20-MS54	M 20 x 1.5	8.0 - 10.0	26.50	6.50	22/18	50	<b>1778380000</b>
VGM20-MS54	M 20 x 1.5	10.0 - 12.0	26.50	6.50	22/20	50	<b>1778370000</b>
VGM25-MS54	M 25 x 1.5	12.0 - 14.0	27.50	7	27/22	50	<b>1778360000</b>
VGM25-MS54	M 25 x 1.5	15.0 - 17.0	29.50	7	30/28	50	<b>1778350000</b>
VGM32-MS54	M 32 x 1.5	24.0 - 26.0	33	8	40/38	25	<b>1778340000</b>
VGM40-MS54	M 40 x 1.5	28.0 - 30.0	33	8	43/37	25	<b>1778330000</b>
VGM50-MS54	M 50 x 1.5	31.0 - 33.0	39	9	55/47	10	<b>1778320000</b>
VGM50-MS54	M 50 x 1.5	39.0 - 41.0	43	9	57/54	5	<b>1778310000</b>
VGM63-MS54	M 63 x 1.5	45.0 - 47.0	45	10	68/60	5	<b>1778300000</b>

#### PG gland brass IP 54, hexagonal

VG 7-MS54	PG 7	5.0 - 7.0	20.5	5	14/13	50	<b>0521500000</b>
VG 9-MS54	PG 9	6.0 - 8.0	22	6	17/15	50	<b>0261500000</b>
VG 11-MS54	PG 11	8.0 - 10.0	26	6	20/18	50	<b>0260700000</b>
VG 13.5-MS54	PG 13.5	10.0 - 12.0	26	6.5	22/20	50	<b>0260800000</b>
VG 16-MS54	PG 16	12.0 - 14.0	27	6.5	24/22	25	<b>0261400000</b>
VG 21-MS54	PG 21	15.0 - 17.0	29.5	7	30/28	20	<b>0260900000</b>
VG 29-MS54	PG 29	24.0 - 26.0	33	8	40/37	20	<b>0261000000</b>
VG 36-MS54	PG 36	33.0 - 35.0	39	9	50/47	10	<b>0497600000</b>
VG 42-MS54	PG 42	41.0 - 43.0	44	10	57/54	10	<b>0497700000</b>
VG 48-MS54	PG 48	45.0 - 47.0	45	10	64/60	5	<b>1718780000</b>

all sizes in mm

### Cable glands brass IP68



Brass cable gland IP68 with strain relief.

Reduced clamping range on request.

Multiple seal insert on request.

#### Technical data

Material:	Nickel plated brass
Sealing:	Neoprene
Temperature:	-40°C ... +70°C (peak +100°C)
Protection class:	IP 68 / 5 bar with GWDR in the clamping area

#### Ordering data

Type	Thread	Clamp range	L	L1	SW	Qty.	Cat. No.
<b>Metric gland brass</b>							
VG M 12 - MS 68	M 12 x 1.5	3.0 - 6.5	24	5	14	50	<b>1772200000</b>
VG M 16 - MS 68	M 16 x 1.5	5.5 - 10.0	28	5.5	17	50	<b>1772210000</b>
VG M 20 - MS 68	M 20 x 1.5	8.0 - 13.0	32	6	22	50	<b>1772220000</b>
VG M 25 - MS 68	M 25 x 1.5	11.0 - 18.0	35	7	30	20	<b>1772230000</b>
VG M 32 - MS 68	M 32 x 1.5	15.0 - 21.0	39	8	34	20	<b>1772240000</b>
VG M 40 - MS 68	M 40 x 1.5	19.0 - 27.0	53	8	44	10	<b>1772250000</b>
VG M 50 - MS 68	M 50 x 1.5	26.0 - 35.0	55	9	55	10	<b>1772260000</b>
VG M 63 - MS 68	M 63 x 1.5	34.0 - 45.0	58	10	66	5	<b>1772270000</b>

#### PG gland brass IP 68

VG 7-MS68	PG 7	3.0 - 6.5	23	5	14	50	<b>1569060000</b>
VG 9-MS68	PG 9	4.0 - 10.0	27	6	17	50	<b>1569070000</b>
VG 11-MS68	PG 11	5.0 - 10.0	28.5	6	20	50	<b>1569080000</b>
VG 13.5-MS68	PG 13.5	6.0 - 12.0	29.5	6.5	22	50	<b>1569090000</b>
VG 16-MS68	PG 16	10.0 - 14.0	29.5	6.5	24	25	<b>1569100000</b>
VG 21-MS68	PG 21	13.0 - 18.0	33.5	7	30	20	<b>1569110000</b>
VG 29-MS68	PG 29	18.0 - 25.0	37.5	8	40	20	<b>1569120000</b>
VG 36-MS68	PG 36	22.0 - 32.0	45	9	50	10	<b>1569130000</b>
VG 42-MS68	PG 42	30.0 - 38.0	47.5	10	57	10	<b>1569140000</b>
VG 48-MS68	PG 48	34.0 - 44.0	50.5	10	64	5	<b>1718790000</b>

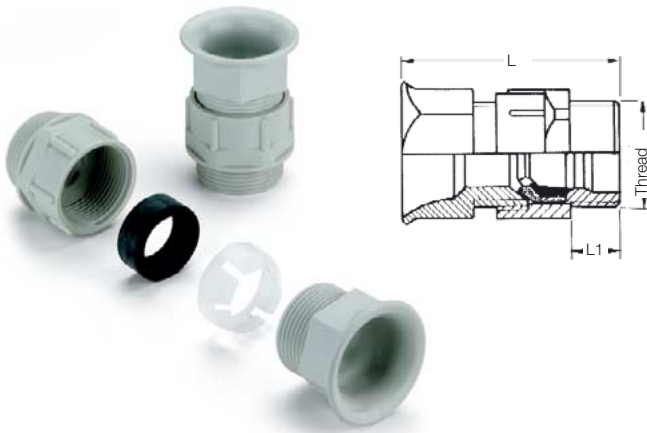
#### NPT gland brass

VG NPT 3/8" - MS 68	NPT 3/8"	4.0 - 8.0	36	15	17	50	<b>1772370000</b>
VG NPT 1/2" - MS 68	NPT 1/2"	6.0 - 12.0	36	13	22	50	<b>1772380000</b>
VG NPT 3/4" - MS 68	NPT 3/4"	13.0 - 18.0	39	13	30	20	<b>1772390000</b>

all sizes in mm

## Cable glands

### Plastic cable glands with bending protection



Cable gland with bending protection and internal strain relief. Clamping profile made of Hostaform C.

### Cable glands brass with bending protection



Cable gland with bending protection and internal strain relief. Without external strain relief clamp. Clamping profile made of Hostaform C.

#### Technical data

Material:	Polyamide, glass fibre reinforced
Sealing:	Soft rubber
Temperature:	-10°C...+80°C
Protection class:	IP 65
Colour:	similar Grey RAL 7035

#### Ordering data

Type	Thread	Clamp range	L	L1	SW	Qty.	Cat. No.
<b>Metric KV cable gland plastic bending protection</b>							
VGM12-K65 BS	M 12 x 1.5	6.0 - 8.0	40	11	19	50	<b>1778750000</b>
VGM16-K65 BS	M 16 x 1.5	6.0 - 8.0	40	11	19	50	<b>1778760000</b>
VGM20-K65 BS	M 20 x 1.5	8.0 - 10.0	45	11	22	50	<b>1778770000</b>
VGM20-K65 BS	M 20 x 1.5	10.0 - 12.0	57	11	24	50	<b>1778780000</b>
VGM25-K65 BS	M 25 x 1.5	12.0 - 14.0	51	11	27	50	<b>1778790000</b>
VGM25-K65 BS	M 25 x 1.5	14.0 - 18.0	53	11	33	25	<b>1778800000</b>
VGM32-K65 BS	M 32 x 1.5	18.0 - 24.0	60	11	42	25	<b>1778810000</b>
<b>PG-KV plastic bending protection</b>							
VG 7-K65 BS	PG 7	4.0 - 6.0	36	8	15	50	<b>1720400000</b>
VG 9-K65 BS	PG 9	6.0 - 8.0	37	8	19	50	<b>1720410000</b>
VG 11-K65 BS	PG 11	8.0 - 10.0	42	8	22	50	<b>1720420000</b>
VG 13.5-K65 BS	PG 13.5	10.0 - 12.0	45	9	24	50	<b>1720430000</b>
VG 16-K65 BS	PG 16	12.0 - 14.0	50	10	27	25	<b>1720440000</b>
VG 21-K65 BS	PG 21	14.0 - 18.0	53	11	32	20	<b>1720450000</b>
VG 29-K65 BS	PG 29	18.0 - 24.0	60	11	42	20	<b>1720460000</b>

all sizes in mm

#### Technical data

Material:	Nickel plated brass
Sealing:	Soft rubber
Temperature:	-10°C...+80°C
Protection class:	IP 65

#### Ordering data

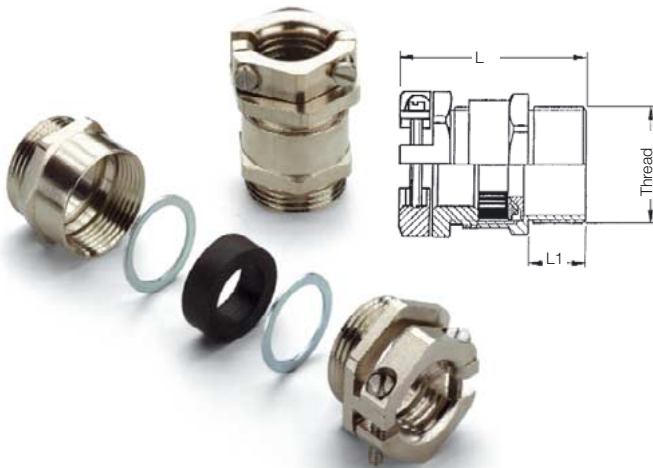
Type	Thread	Clamp range	L	L1	SW1/SW2	Qty.	Cat. No.
<b>PG-KV cable gland Brass bending protection</b>							
VG 9-MS65 BS	PG 9	6.0 - 8.0	35	6	19/15	50	<b>1720340000</b>
VG 11-MS65 BS	PG 11	8.0 - 10.0	35	6	22/19	50	<b>1720350000</b>
VG 13.5-MS65 BS	PG 13.5	10.0 - 12.0	36	6.5	24/20	50	<b>1720360000</b>
VG 16-MS65 BS	PG 16	12.0 - 14.0	40	7	27/30	25	<b>1720370000</b>
VG 21-MS65 BS	PG 21	14.0 - 18.0	44	7	32/34	20	<b>1720380000</b>
VG 29-MS65 BS	PG 29	18.0 - 24.0	50	8	41/46	20	<b>1720390000</b>

all sizes in mm



## Cable glands

### Cable glands brass IP54 with gripping jaw



With cantered strain relief

### Cable glands brass for Ex-areas



For use in hazardous areas. These cable glands are tested for higher safety specifications with certified conformity to approvals LCIE 97ATEX6005X.  
Variant for EMC applications are available.

#### Technical data

Material:	Nickel plated brass
Sealing:	Universal sealing ring neoprene
Temperature:	-30°C ... +90°C
Protection class:	IP54 (with thread sealing ring type GWDR ...-PO = IP65)

#### Ordering data

Type	Thread	Clamp range	L	L1	SW1/SW2	Qty.	Cat. No.
<b>Metric gland brass IP 54, hexagonal</b>							
VG M12-MS54ZE	M 12 x 1.5	5.0 - 7.0	21.50	6	14	100	<b>1778420000</b>
VG M12-MS54ZE	M 12 x 1.5	4.0 - 9.5	22	6	17	100	<b>1778430000</b>
VG M16-MS54ZE	M 16 x 1.5	4.0 - 9.5	26	6	18	100	<b>1778440000</b>
VG M20-MS54ZE	M 20 x 1.5	6.0 - 11.5	26.50	6.50	22	50	<b>1778450000</b>
VG M20-MS54ZE	M 20 x 1.5	6.0 - 13.5	26.50	6.50	22	50	<b>1778460000</b>
VG M25-MS54ZE	M 25 x 1.5	6.0 - 15.5	27.50	7	30	50	<b>1778470000</b>
VG M25-MS54ZE	M 25 x 1.5	9.0 - 21.5	29.50	7	30	50	<b>1778480000</b>
VG M32-MS54ZE	M 32 x 1.5	17.0 - 29.5	33	8	39	25	<b>1778490000</b>
VG M40-MS54ZE	M 40 x 1.5	17.0 - 29.5	33	8	43	25	<b>1778500000</b>
VG M50-MS54ZE	M 50 x 1.5	23.0 - 36.5	39	9	55	10	<b>1778510000</b>
VG M50-MS54ZE	M 50 x 1.5	29.0 - 42.5	43	9	57	5	<b>1778520000</b>
VG M63-MS54ZE	M 63 x 1.5	35.0 - 46.5	45	10	68	5	<b>1778530000</b>
<b>PG gland brass IP 54, hexagonal</b>							
VG 7-MS54-ZE	PG 7	5.0 - 7.0	27	5	14/16	50	<b>1718800000</b>
VG 9-MS54-ZE	PG 9	4.0 - 11.0	30.5	6	17/19	50	<b>1718810000</b>
VG 11-MS54-ZE	PG 11	6.0 - 13.0	31.5	6	20/22	50	<b>1718820000</b>
VG 13.5-MS54-ZE	PG 13.5	6.0 - 13.0	32	6.5	22/24	50	<b>1718830000</b>
VG 16-MS54-ZE	PG 16	6.0 - 16.0	33	6.5	24/27	25	<b>1718840000</b>
VG 21-MS54-ZE	PG 21	9.0 - 20.0	38	7	30/34	20	<b>1718850000</b>
VG 29-MS54-ZE	PG 29	17.0 - 28.0	43	8	40/42	20	<b>1718860000</b>
VG 36-MS54-ZE	PG 36	23.0 - 34.0	49.5	9	50/52	10	<b>1718870000</b>
VG 42-MS54-ZE	PG 42	29.0 - 40.0	53.5	10	57/62	10	<b>1718880000</b>
VG 48-MS54-ZE	PG 48	35.0 - 46.0	55	10	64/68	5	<b>1718890000</b>

all sizes in mm

#### Technical data

Material:	Nickel plated brass
Sealing:	Neoprene
Temperature:	-20°C ... +100°C
Protection class:	IP66 (with thread sealing ring Type GWDR ...-NP = IP68/20 bar) ATEX certification available

#### Ordering data

Type	Thread	Clamp range	L	L1	SW	Qty.	Cat. No.
<b>Metric gland brass-KV for Eex-e</b>							
VG M 16-Exe MS	M 16 x 1.5	7.0 - 11.0	28	8	22	50	<b>1737210000</b>
VG M 20-Exe MS	M 20 x 1.5	8.5 - 13.0	28	8	24	50	<b>1737220000</b>
VG M 25-Exe MS	M 25 x 1.5	13.5 - 18.0	33	9	30	25	<b>1737230000</b>
VG M 32-Exe MS	M 32 x 1.5	17.5 - 25.0	38	10	41	20	<b>1737240000</b>
VG M 40-Exe MS	M 40 x 1.5	24.5 - 33.5	49	11	52	10	<b>1737250000</b>
VG M 50-Exe MS	M 50 x 1.5	33.0 - 43.0	54	12	63	5	<b>1737260000</b>
VG M 63-Exe MS	M 63 x 1.5	43.5 - 55.0	60	13	77	5	<b>1737270000</b>
<b>PG gland brass-KV for Eex-e</b>							
VG 7-Exe MS	PG 7	4.0 - 8.0	24	7	18	50	<b>1718990000</b>
VG 9-Exe MS	PG 9	6.0 - 11.0	28	8	22	50	<b>1719000000</b>
VG 11-Exe MS	PG 11	7.5 - 13.0	28	8	24	50	<b>1719010000</b>
VG 13.5-Exe MS	PG 13.5	7.5 - 13.0	32	8	24	50	<b>1719020000</b>
VG 16-Exe MS	PG 16	12.5 - 18.0	33	9	30	25	<b>1719030000</b>
VG 21-Exe MS	PG 21	17.5 - 23.5	38	10	41	20	<b>1719040000</b>
VG 29-Exe MS	PG 29	24.5 - 31.5	49	11	52	20	<b>1719050000</b>
VG 36-Exe MS	PG 36	33.0 - 40.5	54	12	63	10	<b>1719060000</b>
VG 42-Exe MS	PG 42	33.0 - 43.0	54	12	63	10	<b>1719070000</b>
VG 48-Exe MS	PG 48	42.5 - 52.5	60	13	77	5	<b>1719080000</b>
<b>NPT brass KV for Eex-e</b>							
VG NPT 1/2" Eex-e MS	NPT 1/2"	8.5 - 13.0	36	16	24	50	<b>1778160000</b>
VG NPT 3/4" Eex-e MS	NPT 3/4"	13.5 - 18.0	40	16	30	25	<b>1778150000</b>
VG NPT 1" Eex-e MS	NPT 1"	17.5 - 25.0	48	20	41	1	<b>1778140000</b>
VG NPT 1 1/4" Eex-e MS	NPT 1 1/4"	24.5 - 33.5	58	20	52	1	<b>1778130000</b>
VG NPT 1 1/2" Eex-e MS	NPT 1 1/2"	24.5 - 33.5	58	20	52	1	<b>1778120000</b>
VG NPT 2" Eex-e MS	NPT 2"	33.0 - 43.0	62	20	63	1	<b>1778110000</b>
VG NPT 2 1/2" Eex-e MS	NPT 2 1/2"	43.5 - 55.0	75	28	77	1	<b>1778090000</b>

all sizes in mm



## Cable glands

### Plastic cable glands for EExe-areas



For use in hazardous areas (EEx e II). These cable glands are tested for higher safety specifications with certified conformity to approvals LCIE 97ATEX6007X.

The clamping profile serves as an internal strain relief. The sealing ring is constructed with a membrane against dust, which can be easily pierced.

#### Technical data

Material:	Polyamide
Sealing:	Santoprene
Temperature:	-40°C ... +90°C
Protection class:	IP66 (with thread sealing ring) Type GWDR ...-NP = IP68/5 bar) ATEX available
Colour:	similar Black RAL 9005

#### Ordering data

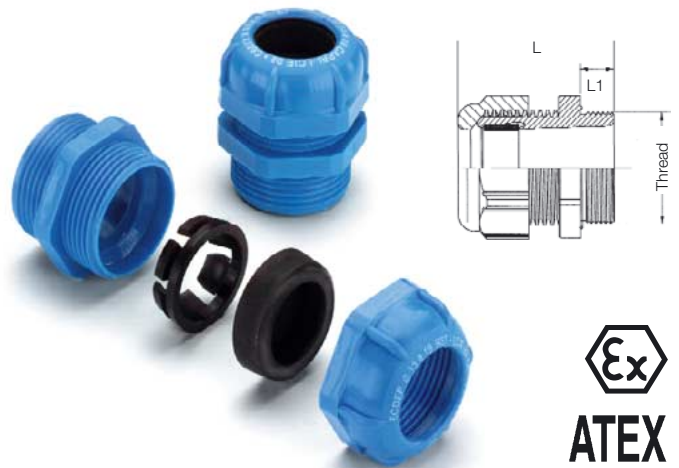
Type	Thread	Clamp range	L	L1	SW	Qty.	Cat. No.
<b>Metric plastic cable glands for EExe-areas</b>							
VG M 16-Exe SW	M 16 x 1.5	5.0 - 8.0	34	12	19	50	<b>1737280000</b>
VG M 20-Exe SW	M 20 x 1.5	8.0 - 13.0	35	12	24	50	<b>1737290000</b>
VG M 25-Exe SW	M 25 x 1.5	13.0 - 19.0	42	13	32	25	<b>1737300000</b>
VG M 32-Exe SW	M 32 x 1.5	17.0 - 25.0	44	15	41	20	<b>1737310000</b>
VG M 40-Exe SW	M 40 x 1.5	24.0 - 32.0	50	15	52	10	<b>1737320000</b>
VG M 50-Exe SW	M 50 x 1.5	29.0 - 38.0	56	16	59	5	<b>1737330000</b>
VG M 63-Exe SW	M 63 x 1.5	36.0 - 44.0	58	16	65	5	<b>1737340000</b>

#### PG plastic cable glands for EExe-areas

VG 7-Exe SW	PG 7	3.5 - 6.0	27	9	15	50	<b>1569360000</b>
VG 9-Exe SW	PG 9	5.0 - 8.0	31	9	19	50	<b>1490500000</b>
VG 11-Exe SW	PG 11	6.0 - 10.0	31	9	22	50	<b>1490600000</b>
VG 13.5-Exe SW	PG 13.5	8.0 - 13.0	33	10	24	50	<b>1490700000</b>
VG 16-Exe SW	PG 16	10.0 - 15.0	33	10	26	25	<b>1490800000</b>
VG 21-Exe SW	PG 21	13.0 - 19.0	40	11	32	20	<b>1490900000</b>
VG 29-Exe SW	PG 29	17.0 - 25.0	41	12	41	20	<b>1491000000</b>
VG 36-Exe SW	PG 36	24.0 - 32.0	49	14	52	10	<b>1491100000</b>
VG 42-Exe SW	PG 42	28.0 - 38.0	56	16	59	10	<b>1491200000</b>
VG 48-Exe SW	PG 48	34.0 - 44.0	60	16	65	5	<b>1718970000</b>

all sizes in mm

### Plastic cable glands for EExi-areas



For use in explosion endangered areas (EEx i). These cable glands are tested for higher safety specifications with certified conformity to approvals LCIE 97ATEX6007X. The clamping profile is used as an internal strain relief. The sealing ring is constructed with a membrane against dust, which can be easily pierced.

#### Technical data

Material:	Polyamide
Sealing:	Santoprene
Temperature:	-40°C ... +90°C
Protection class:	IP66 (with thread sealing ring) Type GWDR ...-NP = IP68/5 bar) ATEX granted
Colour:	similar Blue RAL 5012

#### Ordering data

Type	Thread	Clamp range	L	L1	SW	Qty.	Cat. No.
<b>PG plastic cable glands for EExi-areas</b>							
VG M 16-Exi BL	M 16 x 1.5	5.0 - 8.0	34	12	19	50	<b>1737350000</b>
VG M 20-Exi BL	M 20 x 1.5	8.0 - 13.0	35	12	24	50	<b>1737360000</b>
VG M 25-Exi BL	M 25 x 1.5	13.0 - 19.0	42	13	32	25	<b>1737370000</b>
VG M 32-Exi BL	M 32 x 1.5	17.0 - 25.0	44	15	41	20	<b>1737380000</b>
VG M 40-Exi BL	M 40 x 1.5	24.0 - 32.0	50	15	52	10	<b>1737390000</b>
VG M 50-Exi BL	M 50 x 1.5	29.0 - 38.0	56	16	59	5	<b>1737400000</b>
VG M 63-Exi BL	M 63 x 1.5	36.0 - 44.0	58	16	67/65	5	<b>1737410000</b>

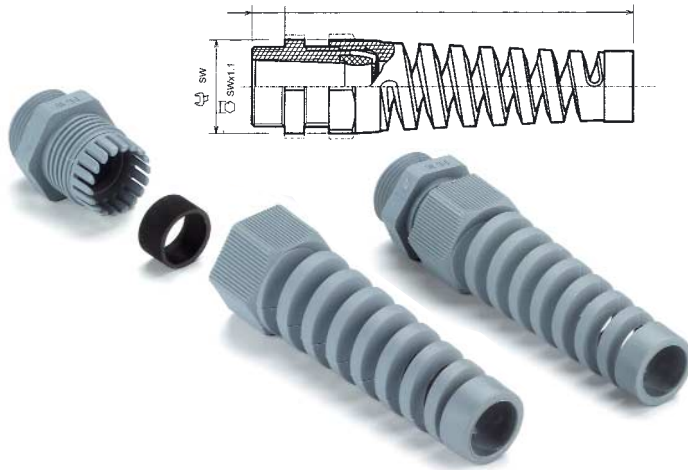
#### PG plastic cable glands for EExi-areas

VG 7-Exi BL	PG 7	3.5 - 6.0	27	9	15	50	<b>1569370000</b>
VG 9-Exi BL	PG 9	5.0 - 8.0	31	9	19	50	<b>1491300000</b>
VG 11-Exi BL	PG 11	6.0 - 10.0	31	9	22	50	<b>1491400000</b>
VG 13.5-Exi BL	PG 13.5	8.0 - 13.0	33	10	24	50	<b>1491500000</b>
VG 16-Exi BL	PG 16	10.0 - 15.0	33	10	26	25	<b>1491600000</b>
VG 21-Exi BL	PG 21	13.0 - 19.0	40	11	32	20	<b>1491700000</b>
VG 29-Exi BL	PG 29	17.0 - 25.0	41	12	41	20	<b>1491800000</b>
VG 36-Exi BL	PG 36	24.0 - 32.0	49	14	52	10	<b>1491900000</b>
VG 42-Exi BL	PG 42	28.0 - 38.0	56	16	59	10	<b>1492000000</b>
VG 48-Exi BL	PG 48	34.0 - 44.0	60	16	65	5	<b>1718980000</b>

all sizes in mm

## Cable glands

### Plastic cable glands with strain relief spiral cap



Cable gland specially for moveable connections.; Approvals to VDE and UL; halogen-free.

Reduced clamping range on request

EN 50262: metric

#### Technical data

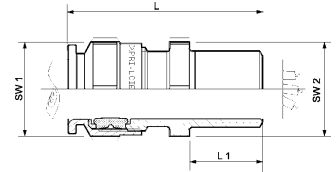
Material:	Polyamide 6
Sealing:	Neoprene
Temperature:	-40°C...+70°C (peak 150°C)
Protection class:	IP 68 / 5 bar with GWDR
Colour:	similar grey RAL 7035 (on request 9005)

#### Ordering data

Type	Thread	Clamp range	L	L1	SW	Qty.	Cat. No.
<b>Metric.plastic-KV with strain relief spiral cap</b>							
VGM12-K68 SKS	M 12 x 1.5	3.0 - 6.5	66.5	8	15	100	<b>1776700000</b>
VGM16-K68 SKS	M 16 x 1.5	5.0 - 10.0	80	10	22	50	<b>1776710000</b>
VGM20-K68 SKS	M 20 x 1.5	6.0 - 12.0	106	11	24	50	<b>1778860000</b>
VGM20-K68 SKS	M 20 x 1.5	10.0 - 14.0	106	15	27	50	<b>1776720000</b>
VGM25-K68 SKS	M 25 x 1.5	13.0 - 18.0	129	15	33	25	<b>1776730000</b>
<b>PG plastic cable glands with strain relief spiral cap</b>							
VG 7-K68 SKS	PG 7	3.0 - 6.5	62	8	15	50	<b>1720470000</b>
VG 9-K68 SKS	PG 9	4.0 - 8.0	78	8	19	50	<b>1720480000</b>
VG 11-K68 SKS	PG 11	5.0 - 10.0	84	8	22	50	<b>1720490000</b>
VG 13.5-K68 SKS	PG 13.5	6.0 - 12.0	105	9	24	50	<b>1720500000</b>
VG 16-K68 SKS	PG 16	10.0 - 14.0	117	10	27	25	<b>1720510000</b>
VG 21-K68 SKS	PG 21	13.0 - 18.0	130	11	33	20	<b>1720520000</b>

all sizes in mm

### Cable Gland ADE 1F



For use in hazardous areas

EEx e II,  
EEx d IIB,  
EEx d II C ≤ 2000 cm³

These cable glands are certified in accordance with LCIE 97ATEX6008X.

#### Technical data

Material:	Nickel plated brass (on request stainless steel)
Sealing:	Neoprene
Temperature:	-40 °C - 100 °C
Protection class:	IP 68 (10 bar) ATEX available

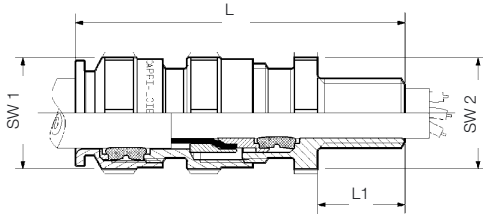
#### Ordering data

Type	Thread	Protecting cap	Clamp range	L	L1	SW1	SW2	Qty.	Cat. No.
<b>Metric cable glands</b>									
VG ADE 1/M 12 Exe/d	M 12 x 1.5		4.0 - 8.0	35	15	15	15	5	<b>1736690000</b>
VG ADE 1/M 16 Exe/d	M 16 x 1.5		6.0 - 12.0	37	15	19	19	5	<b>1736700000</b>
VG ADE 1/M 20 Exe/d	M 20 x 1.5		8.5 - 16.0	40	15	24	24	2	<b>1736710000</b>
VG ADE 1/M 25 Exe/d	M 25 x 1.5		12.0 - 20.5	42	15	30	30	2	<b>1736720000</b>
VG ADE 1/M 32 Exe/d	M 32 x 1.5		16.0 - 27.5	49	15	41	41	2	<b>1736730000</b>
VG ADE 1/M 40 Exe/d	M 40 x 1.5		21.0 - 34.0	51	15	48	48	2	<b>1736740000</b>
VG ADE 1/M 50 Exe/d	M 50 x 1.5		27.0 - 41.0	55	16	55	55	1	<b>1736750000</b>
VG ADE 1/M 63 Exe/d	M 63 x 1.5		40.0 - 56.0	60	17	72	72	1	<b>1736760000</b>
VG ADE 1/M 75 Exe/d	M 75 x 1.5		47.0 - 65.0	67	18	85	85	1	<b>1736770000</b>
VG ADE 1/M 80 Exe/d	M 80 x 2		54.0 - 73.0	76	20	95	95	1	<b>1736780000</b>
VG ADE 1/M 90 Exe/d	M 90 x 2		63.0 - 82.0	83	22	110	110	1	<b>1736790000</b>
VG ADE 1/M 100 Exe/d	M 100 x 2		72.0 - 92.0	84	22	120	120	1	<b>1736800000</b>

all sizes in mm

# Cable glands

## ADE 4F



For use in hazardous areas:  
 EEx e II,  
 EEx d IIB,  
 EEx d II C ≤ 2000 cm³

These cable glands are certified in accordance with LCIE 97ATEX6008X.

On request: silicone sealing ring, halogen-free,  
 Working temperature: -70 °C - +220 °C.

### Technical data

Material:	Nickel plated brass (on request stainless steel)
Sealing:	Neoprene
Temperature:	-40 °C - 100 °C
Protection class:	IP 68 (10 bar)
	ATEX available

### Ordering data

Type	Thread	Sealing ring	Cable Ø outside	Armoured	Cable Ø inside	L	L1	SW1	SW2	Qty.	Cat. No.
<b>Metric gland</b>											
VG ADE 4F/M 12 Exe/d	M 12 x 1.5	5	6.0 - 12.0	0 - 0.9	4.0 - 8.0	51	15	19	19	5	<b>1736810000</b>
VG ADE 4F/M 16 Exe/d	M 16 x 1.5	6	8.5 - 16.0	0 - 1.25	6.0 - 12.0	57	15	24	24	5	<b>1736820000</b>
VG ADE 4F/M 20 Exe/d	M 20 x 1.5	7	12.0 - 21.0	0 - 1.25	8.5 - 15.5	61	15	30	30	2	<b>1736830000</b>
VG ADE 4F/M 25 Exe/d	M 25 x 1.5	8	16.0 - 27.5	0 - 1.6	12.0 - 20.5	71	15	41	41	2	<b>1736840000</b>
VG ADE 4F/M 32 Exe/d	M 32 x 1.5	9	21.0 - 34.0	0 - 1.6	16.0 - 27.5	78	15	48	48	2	<b>1736850000</b>
VG ADE 4F/M 40 Exe/d	M 40 x 1.5	10	27.0 - 41.0	0 - 2	21.0 - 34.0	83	15	55	55	2	<b>1736860000</b>
VG ADE 4F/M 50 Exe/d	M 50 x 1.5	11	33.0 - 48.0	0 - 2.5	27.0 - 41.0	90	16	64	64	1	<b>1736870000</b>
VG ADE 4F/M 63 Exe/d	M 63 x 1.5	13	47.0 - 65.0	0 - 2.5	40.0 - 56.0	102	17	85	85	1	<b>1736880000</b>
VG ADE 4F/M 75 Exe/d	M 75 x 1.5	14	54.0 - 74.0	0 - 2.5	47.0 - 65.0	110	18	95	95	1	<b>1736890000</b>
VG ADE 4F/M 80 Exe/d	M 80 x 2	15	63.0 - 83.0	0 - 3.15	54.0 - 73.0	124	20	110	110	1	<b>1736900000</b>
VG ADE 4F/M 90 Exe/d	M 90 x 2	16	72.0 - 93.0	0 - 3.15	63.0 - 82.0	130	22	120	120	1	<b>1736910000</b>

all sizes in mm

## EMC cable glands



High shielding factor up to 100 dB. An endless lock washer is pressed against the cable armour by two conical rings; thus guaranteeing a reliable and safe contact. This ensures that the shield braiding is inserted into the enclosure.

### Technical data

Material:	Nickel plated brass
Sealing:	TPE-V /thermoplastic Elastomer
O-Ring:	Perbunan
Temperature:	-40°C ... +135°C (peak 150°C)
Protection class:	IP 68

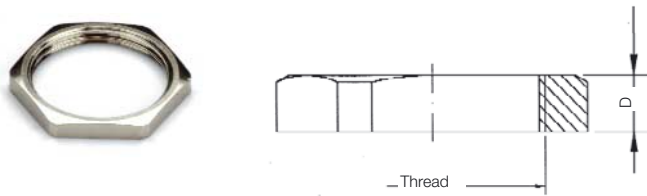
### Ordering data

Type	Thread	Clamp range	Armour-Ø	L	SW	Qty.	Cat. No.
<b>Metric cable glands brass</b>							
VG EMC M18x1.5	M 18x1.5	6.0 - 9.5	3.0 - 7.0	26.7	24	5	<b>1706920000</b>
VG EMC M20x1.5	M 20x1.5	7.0 - 11.0	4.0 - 8.5	26.7	24	5	<b>1706940000</b>
VG EMC M24x1.5	M 24x1.5	16.5 - 14.0	8.0 - 12.0	33.5	30	5	<b>1706930000</b>
VG EMC M25x1.5	M 25x1.5	16.5 - 14.0	8.0 - 12.0	33.5	30	5	<b>1706950000</b>
<b>PG cable gland brass</b>							
VG EMC Pg 7/9	PG 7 / 9	4.0 - 6.0	1.5 - 4.0	32.9	17	20	<b>1713870000</b>
VG EMC Pg 9/11	PG 9 / 11	6.5 - 9.5	2.5 - 6.5	32.9	20	20	<b>1706860000</b>
VG EMC Pg 11	PG 11	6.0 - 9.0	3.5 - 7.5	39.6	24	20	<b>1706870000</b>
VG EMC Pg 13.5	PG 13.5	7.0 - 10.5	4.0 - 8.5	39.0	24	10	<b>1706880000</b>
VG EMC Pg 16	PG 16	10.0 - 14.0	8.0 - 13.0	40.5	30	10	<b>1706890000</b>
VG EMC Pg 16	PG 16	14.0 - 18.0	8.0 - 13.0	40.5	30	10	<b>1713880000</b>
VG EMC Pg 21	PG 21	14.0 - 18.0	10.0 - 15.0	40.5	35	10	<b>1706900000</b>
VG EMC Pg 21	PG 21	17.0 - 28.0	12.5 - 17.5	40.5	35	10	<b>1713890000</b>
VG EMC Pg 29	PG 29	22.0 - 26.0	15.0 - 21.0	43.5	40	5	<b>1706910000</b>
VG EMC Pg 29	PG 29	25.0 - 29.0	18.0 - 25.0	55.3	40	5	<b>1713900000</b>
VG EMC Pg 36	PG 36	32.0 - 27.0	18.0 - 25.0	55.3	40	5	<b>1770410000</b>

all sizes in mm

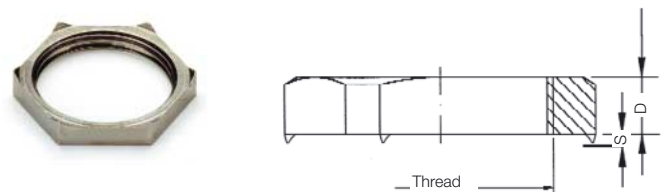
# Cable glands

## Lock nut brass



Lock nut for securing brass cable glands in accordance with DIN 46320

## Lock nut with EMC



These lock nuts are equipped with six cutting elements, which cut into the painted insulating layer of the enclosure; thus creating an optimum contact.

### Technical data

Material: Nickel plated brass (on request stainless steel)

---



---



---



---

### Ordering data

Type	Thread	D	SW	Qty.	Cat. No.
<b>Metric gland lock nut brass</b>					
SKMU M 12-MS	M 12 x 1.5	2.8	14	50	1772360000
SKMU M 16-MS	M 16 x 1.5	2.8	18	50	1736990000
SKMU M 20-MS	M 20 x 1.5	3	23	50	1737000000
SKMU M 25-MS	M 25 x 1.5	3	28	25	1737010000
SKMU M 32-MS	M 32 x 1.5	4	36	20	1737020000
SKMU M 40-MS	M 40 x 1.5	4.5	44	10	1737030000
SKMU M 50-MS	M 50 x 1.5	5	54	5	1737040000
SKMU M 63-MS	M 63 x 1.5	6	70	5	1737050000
SKMU M 75-MS	M 75 x 1.5	8	85	5	1737060000

### PG gland lock nut brass

SKMU Pg7-MS	PG 7	2.8	15	50	1694070000
SKMU Pg9-MS	PG 9	2.8	18	50	1694080000
SKMU Pg11-MS	PG 11	3.0	21	50	1694090000
SKMU Pg13.5-MS	PG 13.5	3.0	23	50	1694100000
SKMU Pg16-MS	PG 16	3.0	26	25	1694110000
SKMU Pg21-MS	PG 21	3.5	32	20	1719200000
SKMU Pg29-MS	PG 29	4.0	41	20	1719210000
SKMU Pg36-MS	PG 36	5.0	51	10	1719220000
SKMU Pg42-MS	PG 42	5.0	58	10	1719230000
SKMU Pg48-MS	PG 48	5.5	64	5	1719240000

all sizes in mm

### Technical data

Material: Nickel plated brass

---



---



---



---

### Ordering data

Type	Thread	D	S	SW	Qty.	Cat. No.
<b>Metric gland lock nut EMC brass</b>						
			approx.			
SKMU EMC M10	M 10 x 1	3.10	1.0	12	100	1777600000
SKMU EMC M12	M 12 x 1.5	3.60	1.0	14	100	1777610000
SKMU EMC M16	M 16 x 1.5	3.60	1.0	18	100	1777620000
SKMU EMC M20	M 20 x 1.5	3.60	1.0	23	100	1777630000
SKMU EMC M25	M 25 x 1.5	3.60	1.0	28	50	1777640000
SKMU EMC M32	M 32 x 1.5	4.10	1.0	36	25	1777650000
SKMU EMC M40	M 40 x 1.5	4.60	1.0	44	25	1777660000
SKMU EMC M50	M 50 x 1.5	4.60	1.0	54	10	1777670000
SKMU EMC M63	M 63 x 1.5	6.60	1.0	70	10	1777680000

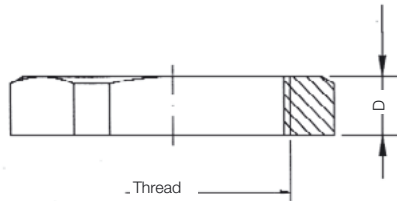
### PG gland lock nut brass with EMC

SKMU EMC Pg7	PG 7	4.7	1.0	15	20	1718900000
SKMU EMC Pg9	PG 9	4.7	1.0	18	20	1718910000
SKMU EMC Pg11	PG 11	4.7	1.0	21	20	1718920000
SKMU EMC Pg13.5	PG 13.5	4.7	1.0	23	10	1718930000
SKMU EMC Pg16	PG 16	4.7	1.0	26	10	1718940000
SKMU EMC Pg21	PG 21	5.2	1.0	32	10	1718950000
SKMU EMC Pg29	PG 29	5.7	1.0	41	5	1718960000

all sizes in mm

## Cable glands

### Lock nut Plastic



Lock nut for securing plastic cable glands in accordance with DIN 46320.

#### Technical data

Material:	Polyamide, glass fibre reinforced
Temperature:	-40°C ... +70°C
Colour:	similar grey RAL 7035
DIN:	46320

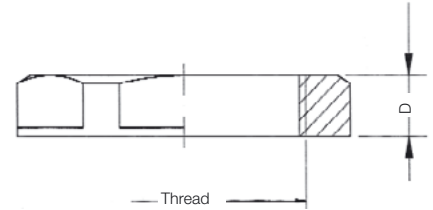
#### Ordering data

Type	Thread	D	SW	Qty.	Cat. No.
<b>Metric gland lock nut plastic grey</b>					
SKMU M12-K GR	M 12 x 1.5	5	18	50	<b>1772440000</b>
SKMU M16-K GR	M 16 x 1.5	5	22	50	<b>1772450000</b>
SKMU M20-K GR	M 20 x 1.5	6	26	50	<b>1772460000</b>
SKMU M25-K GR	M 25 x 1.5	6	32	25	<b>1772470000</b>
SKMU M32-K GR	M 32 x 1.5	7	41	20	<b>1772480000</b>
SKMU M40-K GR	M 40 x 1.5	7	50	20	<b>1772490000</b>
SKMU M50-K GR	M 50 x 1.5	8	60	10	<b>1772500000</b>
SKMU M63-K GR	M 63 x 1.5	8	75	10	<b>1772510000</b>

<b>PG gland lock nut plastic grey</b>					
SKMU Pg7-K GR	PG 7	5.0	19	50	<b>1697440000</b>
SKMU Pg9-K GR	PG 9	5.0	22	50	<b>1697450000</b>
SKMU Pg11-K GR	PG 11	5.0	24	50	<b>1697460000</b>
SKMU Pg13.5-K GR	PG 13.5	6.0	27	50	<b>1697470000</b>
SKMU Pg16-K GR	PG 16	6.0	30	25	<b>1697480000</b>
SKMU Pg21-K GR	PG 21	7.0	36	20	<b>1698220000</b>
SKMU Pg29-K GR	PG 29	7.0	46	20	<b>1698230000</b>
SKMU Pg36-K GR	PG 36	8.0	60	10	<b>1698240000</b>
SKMU Pg42-K GR	PG 42	8.0	65	10	<b>1698250000</b>
SKMU Pg48-K GR	PG 48	8.0	70	5	<b>1719090000</b>

all sizes in mm

### Lock nut Plastic Ex



Lock nut for securing cable glands used in Ex-areas in accordance with LCIE 97ATEX6007X.



#### Technical data

Material:	Polyamide
Temperature:	-40°C ... +70°C
Colour:	similar black RAL 9005

#### Ordering data

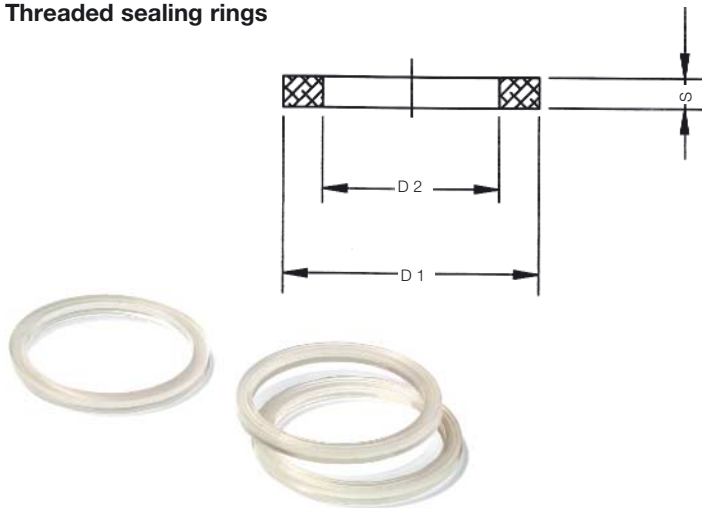
Type	Thread	D	SW	Qty.	Cat. No.
<b>Metric gland lock nut plastic Ex</b>					
SKMU M 16-K SW	M 16 x 1.5	5.0	22	50	<b>1736920000</b>
SKMU M 20-K SW	M 20 x 1.5	6.0	26	50	<b>1736930000</b>
SKMU M 25-K SW	M 25 x 1.5	6.0	32	25	<b>1736940000</b>
SKMU M 32-K SW	M 32 x 1.5	7.0	41	20	<b>1736950000</b>
SKMU M 40-K SW	M 40 x 1.5	7.0	50	10	<b>1736960000</b>
SKMU M 50-K SW	M 50 x 1.5	8.0	60	5	<b>1736970000</b>
SKMU M 63-K SW	M 63 x 1.5	8.0	75	5	<b>1736980000</b>

<b>PG gland lock nut plastic Ex</b>					
SKMU Pg7-K SW	PG 7	5.0	19	50	<b>1719100000</b>
SKMU Pg9-K SW	PG 9	5.0	22	50	<b>1719110000</b>
SKMU Pg11-K SW	PG 11	5.0	24	50	<b>1719120000</b>
SKMU Pg13.5-K SW	PG 13.5	6.0	27	50	<b>1719130000</b>
SKMU Pg16-K SW	PG 16	6.0	30	25	<b>1719140000</b>
SKMU Pg21-K SW	PG 21	7.0	36	20	<b>1719150000</b>
SKMU Pg29-K SW	PG 29	7.0	46	20	<b>1719160000</b>
SKMU Pg36-K SW	PG 36	8.0	60	10	<b>1719170000</b>
SKMU Pg42-K SW	PG 42	8.0	65	10	<b>1719180000</b>
SKMU Pg48-K SW	PG 48	8.0	70	5	<b>1719190000</b>

all sizes in mm

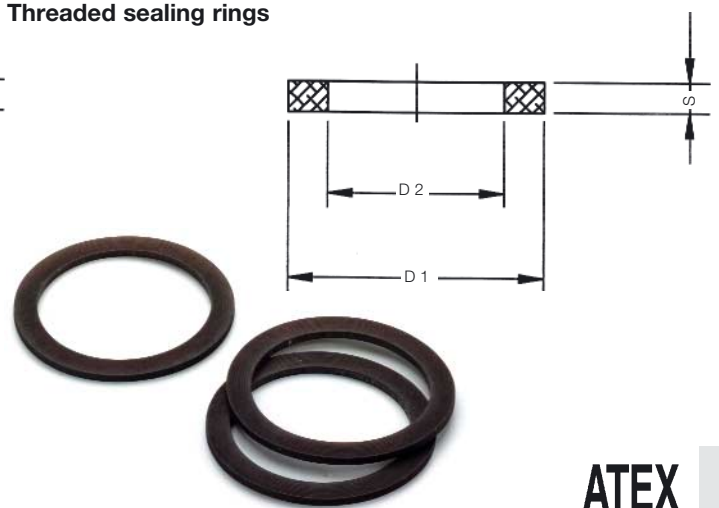
## Cable glands

### Threaded sealing rings



To increase the protection class of cable glands.

### Threaded sealing rings



To increase the protection class of cable glands in Ex areas in accordance with LCIE 97ATEX6007X.

**ATEX**

### Technical data

Material:	Polyethylene
DIN:	46320

### Ordering data

Type	Thread	D1	D2	S	Qty.	Cat. No.
<b>Metric threaded sealing rings, polyethylene</b>						
GWDR M12-PO	M 12 x 1.5	16	12	1.5	100	<b>1777920000</b>
GWDR M16-PO	M 16 x 1.5	20	16	1.5	100	<b>1777930000</b>
GWDR M20-PO	M 20 x 1.5	24	20	2.0	100	<b>1777940000</b>
GWDR M25-PO	M 25 x 1.5	29	25	2.0	100	<b>1777950000</b>
GWDR M32-PO	M 32 x 1.5	36	32	2.0	50	<b>1777960000</b>
GWDR M40-PO	M 40 x 1.5	44	40	2.0	50	<b>1777970000</b>
GWDR M50-PO	M 50 x 1.5	54	50	2.0	25	<b>1777980000</b>
GWDR M63-PO	M 63 x 1.5	67	63	2.0	10	<b>1777990000</b>

Type	Thread	D1	D2	S	Qty.	Cat. No.
<b>PG Threaded sealing rings, polyethylene</b>						
GWDR Pg7-PO	PG 7	16.5	12.5	1.6	50	<b>1719440000</b>
GWDR Pg9-PO	PG 9	19	15.3	1.6	50	<b>1719450000</b>
GWDR Pg11-PO	PG 11	22.5	18.6	1.8	50	<b>1719460000</b>
GWDR Pg13.5-PO	PG 13.5	25	20.4	1.8	50	<b>1719470000</b>
GWDR Pg16-PO	PG 16	27	22.5	1.8	25	<b>1719480000</b>
GWDR Pg21-PO	PG 21	33.5	28.5	2.2	20	<b>1719490000</b>
GWDR Pg29-PO	PG 29	43.5	37.0	2.2	20	<b>1719500000</b>
GWDR Pg36-PO	PG 36	55	47.0	2.7	10	<b>1719510000</b>
GWDR Pg42-PO	PG 42	63	54.0	3.2	10	<b>1719520000</b>
GWDR Pg48-PO	PG 48	69	59.3	3.2	5	<b>1719530000</b>

all sizes in mm

### Technical data

Material:	Neoprene
DIN:	46320

### Ordering data

Type	Thread	D1	D2	S	Qty.	Cat. No.
<b>Metric threaded sealing rings, neoprene</b>						
GWDR M 16-NP	M 16	22	16	1.2	20	<b>1736230000</b>
GWDR M 20-NP	M 20	24	20	1.2	20	<b>1736240000</b>
GWDR M 25-NP	M 25	30	25	1.5	20	<b>1736250000</b>
GWDR M 32-NP	M 32	42	32	1.5	20	<b>1736260000</b>
GWDR M 40-NP	M 40	52	40	1.5	10	<b>1736270000</b>
GWDR M 50-NP	M 50	63	50	1.5	10	<b>1736280000</b>
GWDR M 63-NP	M 63	77	63	2	10	<b>1736290000</b>

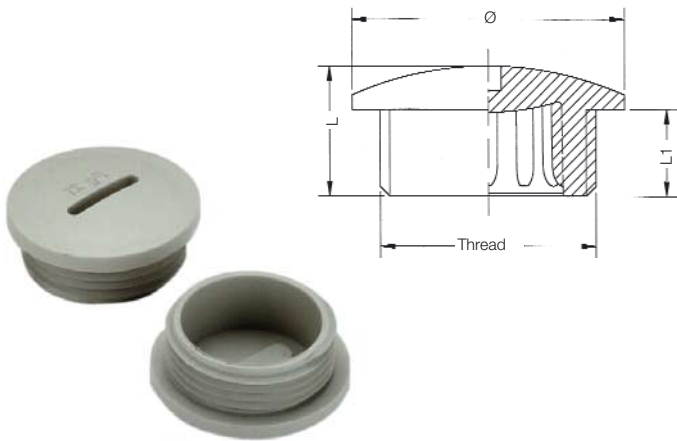
Type	Thread	D1	D2	S	Qty.	Cat. No.
<b>PG threaded sealing rings, neoprene</b>						
GWDR Pg7-NP	PG 7	17	11.6	1.2	50	<b>1719540000</b>
GWDR Pg9-NP	PG 9	21	14.0	1.2	50	<b>1719550000</b>
GWDR Pg11-NP	PG 11	24	17.0	1.2	50	<b>1719560000</b>
GWDR Pg13.5-NP	PG 13.5	27	19.5	1.2	50	<b>1719570000</b>
GWDR Pg16-NP	PG 16	30	22.5	1.2	25	<b>1719580000</b>
GWDR Pg21-NP	PG 21	35	28.3	1.5	20	<b>1719590000</b>
GWDR Pg29-NP	PG 29	45	37.0	1.5	20	<b>1719600000</b>
GWDR Pg36-NP	PG 36	60	47.0	1.5	10	<b>1719610000</b>
GWDR Pg42-NP	PG 42	65	54.0	1.5	10	<b>1719620000</b>
GWDR Pg48-NP	PG 48	71	59.3	1.5	5	<b>1719630000</b>

all sizes in mm



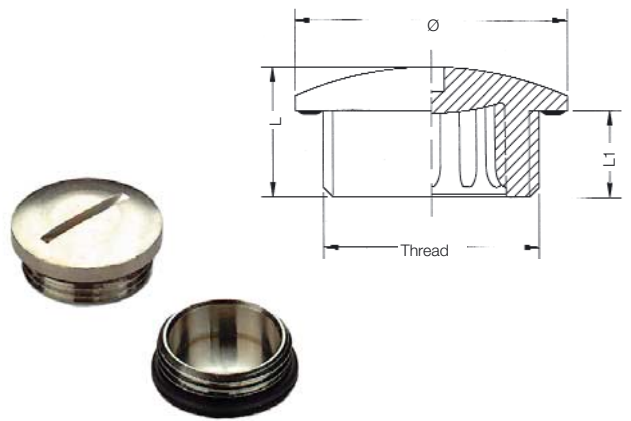
# Cable glands

## Sealing plug, plastic



Glass-fibre reinforced polyamide offers excellent resistance to numerous chemicals.

## Sealing plug, brass



Self-sealing version with O-ring made of perbunan. Also available with a hexagon head.

### Technical data

Material:	Polyamide, glass fibre reinforced
Temperature:	-40°C ... +100°C
Protection class:	IP54 (with thread sealing ring Type GWDR ...-PO = IP66)
Colour:	similar Grey RAL 7035
DIN:	46320

### Technical data

Material:	Nickel plated brass
Sealing:	O-Ring Perbunan
Temperature:	-40°C ... +100°C
Protection class:	IP65

### Ordering data

Type	Thread	L	L1	Head Ø	Qty.	Cat. No.
<b>Metric sealing plug, plastic</b>						
VP M12-K54	M12 x 1.5	10.0	6	15	100	<b>1776930000</b>
VP M16-K54	M16 x 1.5	11.5	7	19	100	<b>1776920000</b>
VP M20-K54	M20 x 1.5	12.5	7.5	22	100	<b>1776910000</b>
VP M25-K54	M25 x 1.5	15.0	11	27	100	<b>1776900000</b>
VP M32-K54	M32 x 1.5	16.0	11	34	100	<b>1776940000</b>
VP M40-K54	M40 x 1.5	18.0	12	42	50	<b>1776950000</b>
VP M50-K54	M50 x 1.5	20.0	13	52	50	<b>1776960000</b>
VP M63-K54	M63 x 1.5	20.0	14	65	50	<b>1776970000</b>

Type	Thread	L	L1	Head Ø	Qty.	Cat. No.
<b>PG sealing plug, plastic</b>						
VP 7-K54	PG 7	8	6	15	50	<b>1719250000</b>
VP 9-K54	PG 9	9	6	19	50	<b>0294760000</b>
VP 11-K54	PG 11	10.5	6.5	22	50	<b>0294860000</b>
VP 13.5-K54	PG 13.5	9.5	6	25	50	<b>0294960000</b>
VP 16-K54	PG 16	9.5	6	27	25	<b>0295060000</b>
VP 21-K54	PG 21	11	8	33	20	<b>0295160000</b>
VP 29-K54	PG 29	12	8	44	20	<b>0501160000</b>
VP 36-K54	PG 36	15	10	55	10	<b>0501260000</b>
VP 42-K54	PG 42	16	10	62	10	<b>0501360000</b>
VP 48-K54	PG 48	16	12	69	5	<b>1719260000</b>

all sizes in mm

### Ordering data

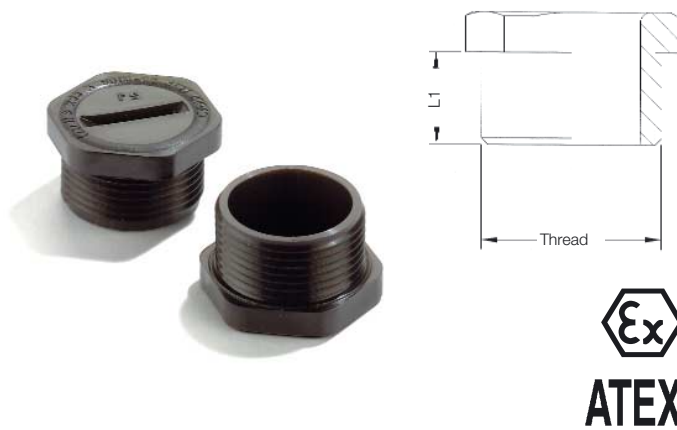
Type	Thread	L	L1	Head-Ø	Qty.	Cat. No.
<b>Metric sealing plug, brass</b>						
VP M16 - MS65	M 16	5.0	18	100	<b>1777730000</b>	
VP M20 - MS65	M 20	6.5	22	100	<b>1777740000</b>	
VP M25 - MS65	M 25	7.0	28	100	<b>1777750000</b>	
VP M32 - MS65	M 32	8.0	35	50	<b>1777760000</b>	
VP M40 - MS65	M 40	8.0	45	50	<b>1777770000</b>	
VP M50 - MS65	M 50	9.0	55	25	<b>1777780000</b>	
VP M63 - MS65	M 63	10.0	68	10	<b>1777790000</b>	

Type	Thread	L	L1	Head-Ø	Qty.	Cat. No.
<b>PG sealing plug, brass</b>						
VP 7-MS65	PG 7	8	5	16	50	<b>0521600000</b>
VP 9-MS65	PG 9	7.9	4.5	19	50	<b>0294700000</b>
VP 11-MS65	PG 11	7.9	4.5	22	50	<b>0294800000</b>
VP 13.5-K65	PG 13.5	9.5	6	24	50	<b>0294900000</b>
VP 16-MS65	PG 16	9	6	26	25	<b>0295000000</b>
VP 21-MS65	PG 21	10	6	32	20	<b>0295100000</b>
VP 29-MS65	PG 29	12	8	39	20	<b>0501100000</b>
VP 36-MS65	PG 36	15	9	50	10	<b>0501200000</b>
VP 42-MS65	PG 42	16	10	57	10	<b>0501300000</b>
VP 48-MS65	PG 48	16	10	64	5	<b>1719270000</b>

all sizes in mm

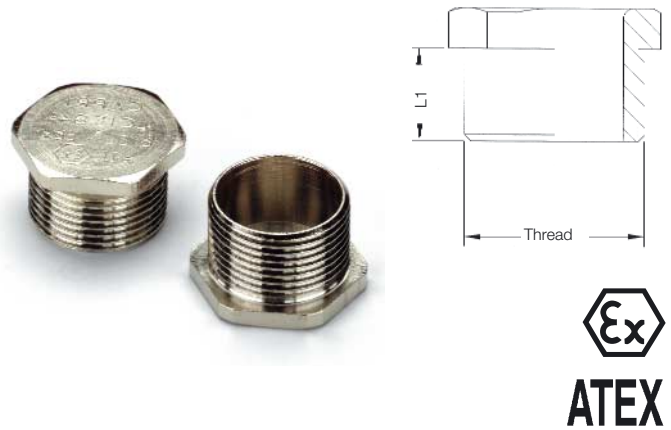
## Cable glands

### Sealing plug plastic EExe



Sealing plugs for Ex areas in accordance with LCIE 97ATEX6003X. Also available with metric ISO thread

### Sealing plug brass EExe / EExd



Hexagon head version for Ex-areas (EExe II). Approvals in accordance with LCIE 98ATEX0001X. Also available with metric ISO thread.

#### Technical data

Material:	Polyamide
Temperature:	-40°C ... +100°C
Protection class:	IP54 (with thread sealing ring Type GWDR ...-PO = IP66) ATEX granted
Colour:	similar Black RAL 9005

#### Ordering data

Type	Thread	L	L1	SW	Qty.	Cat. No.
<b>Metric sealing plug, plastic EExe</b>						
VP M 16-Exe SW	M 16 x 1.5	19	15	19	50	<b>1737070000</b>
VP M 20-Exe SW	M 20 x 1.5	19	15	23	50	<b>1737080000</b>
VP M 25-Exe SW	M 25 x 1.5	20	15	28	25	<b>1737090000</b>
VP M 32-Exe SW	M 32 x 1.5	20.5	15	36	20	<b>1737100000</b>
VP M 40-Exe SW	M 40 x 1.5	20.5	15	44	10	<b>1737110000</b>
VP M 50-Exe SW	M 50 x 1.5	21	15	54	5	<b>1737120000</b>
VP M 63-Exe SW	M 63 x 1.5	21.5	15	67	5	<b>1737130000</b>

#### PG sealing plug, plastic EExe

VP 7-Exe SW	PG 7	12	8	15	50	<b>1719280000</b>
VP 9-Exe SW	PG 9	14.5	10	19	50	<b>1719290000</b>
VP 11-Exe SW	PG 11	15	10.5	22	50	<b>1569380000</b>
VP 13.5-Exe SW	PG 13.5	16	11	24	50	<b>1569390000</b>
VP 16-Exe SW	PG 16	17	12	27	25	<b>1569400000</b>
VP 21-Exe SW	PG 21	18	12.5	32	20	<b>1569410000</b>
VP 29-Exe SW	PG 29	19	13.5	40	20	<b>1719300000</b>
VP 36-Exe SW	PG 36	21	15	54	10	<b>1719310000</b>
VP 42-Exe SW	PG 42	21.5	15	59	10	<b>1719320000</b>
VP 48-Exe SW	PG 48	22	15.5	64	5	<b>1719330000</b>

all sizes in mm

#### Technical data

Material:	Nickel plated brass
Temperature:	-40°C ... +100°C
Protection class:	IP54 (with thread sealing ring Type GWDR ...-NP = IP66) ATEX granted

#### Ordering data

Type	Thread	L	L1	SW	Qty.	Cat. No.
<b>Metric sealing plug, brass EExe</b>						
VP M 16-Exe SW	M 16 x 1.5	18	15	18	50	<b>1737140000</b>
VP M 20-Exe SW	M 20 x 1.5	18	15	23	50	<b>1737150000</b>
VP M 25-Exe SW	M 25 x 1.5	18.5	15	28	25	<b>1737160000</b>
VP M 32-Exe SW	M 32 x 1.5	19	15	36	20	<b>1737170000</b>
VP M 40-Exe SW	M 40 x 1.5	19	15	44	10	<b>1737180000</b>
VP M 50-Exe SW	M 50 x 1.5	21	16	54	5	<b>1737190000</b>
VP M 63-Exe SW	M 63 x 1.5	24	17	67	5	<b>1737200000</b>

#### PG sealing plug, brass EExe

VP 7-Exe MS	PG 7	18	15	15	50	<b>1719340000</b>
VP 9-Exe MS	PG 9	18	15	18	50	<b>1719350000</b>
VP 11-Exe MS	PG 11	18	15	21	50	<b>1719360000</b>
VP 13.5-Exe MS	PG 13.5	18	15	23	50	<b>1719370000</b>
VP 16-Exe MS	PG 16	18	15	26	25	<b>1719380000</b>
VP 21-Exe MS	PG 21	18	15	32	20	<b>1719390000</b>
VP 29-Exe MS	PG 29	19	15	41	20	<b>1719400000</b>
VP 36-Exe MS	PG 36	20	15	51	10	<b>1719410000</b>
VP 42-Exe MS	PG 42	20	15	58	10	<b>1719420000</b>
VP 48-Exe MS	PG 48	20.5	15	64	5	<b>1719430000</b>

all sizes in mm

# Cable glands

## Adaptors



### Technical data

Material:	Nickel plated brass
Temperature:	-40°C ... +100°C
Protection class:	IP54 (with thread sealing ring Type GWDR ...-NP = IP66)
Approval:	in accordance with LCIE 97ATEX6001X

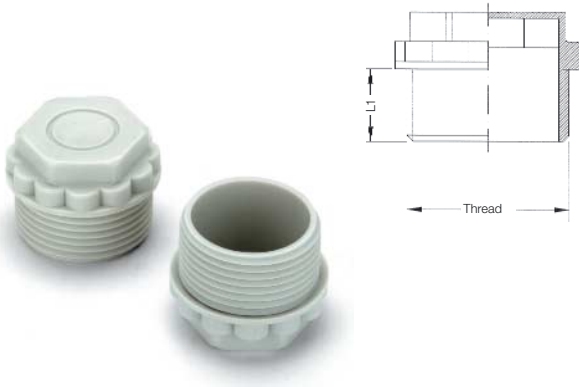
**Metric PG adaptors, available soon.**  
Please contact us

Male thread	3" NPT	2 1/2" NPT	2" NPT	1 1/2" NPT	1 1/4" NPT	1" NPT	3/4" NPT	1/2" NPT	M 75	M 63	M 50	M 40	M 32	M 25	M 20	M 16
<b>Female thread</b>																
<b>M 16</b>	1737420000	1737430000	1737440000	1737450000	1737460000	1737470000	1737480000	1737490000	1737500000	1737510000	1737520000	1737530000	1737540000	1737550000	1737560000	1737570000
<b>M 20</b>	1737580000	1737590000	1737600000	1737610000	1737620000	1737630000	1737640000	1737650000	1737660000	1737670000	1737680000	1737690000	1737700000	1737710000	1737720000	1737730000
<b>M 25</b>	1737740000	1737750000	1737760000	1737770000	1737780000	1737790000	1737800000	1737810000	1737820000	1737830000	1737840000	1737850000	1737860000	1737870000	1737880000	
<b>M 32</b>	1737890000	1737900000	1737910000	1737920000	1737930000	1737940000	1737950000		1737960000	1737970000	1737980000	1737990000	1738000000	1738010000		
<b>M 40</b>	1738020000	1738030000	1738040000	1738050000	1738060000	1738070000			1738080000	1738090000	1738100000	1738110000	1738120000			
<b>M 50</b>	1738130000	1738140000	1738150000	1738160000	1738170000				1738180000	1738190000	1738200000	1738210000				
<b>M 63</b>	1738220000	1738230000	1738240000	1738250000					1738260000	1738270000	1738280000					
<b>M 75</b>	1738290000	1738300000	1738310000						1738320000	1738330000						
<b>1/2" NPT</b>	1738340000	1738350000	1738360000	1738370000	1738380000	1738390000	1738400000	1738410000	1738420000	1738430000	1738440000	1738450000	1738460000	1738470000	1738480000	1738490000
<b>3/4" NPT</b>	1738500000	1738510000	1738520000	1738530000	1738540000	1738550000	1738560000	1738570000	1738580000	1738590000	1738600000	1738610000	1738620000	1738630000	1738640000	
<b>1" NPT</b>	1738650000	1738660000	1738670000	1738680000	1738690000	1738700000			1738710000	1738720000	1738730000	1738740000	1738750000	1738760000		
<b>1 1/4" NPT</b>	1738770000	1738780000	1738790000	1738800000	1738810000	1738820000			1738830000	1738840000	1738850000	1738860000	1738870000			
<b>1 1/2" NPT</b>	1738880000	1738890000	1738900000	1738910000	1738920000				1738930000	1738940000	1738950000	1738960000				
<b>2" NPT</b>	1738970000	1738980000	1738990000	1739000000					1739010000	1739020000	1739030000					
<b>2 1/2" NPT</b>	1739040000	1739050000	1739060000						1739070000	1739080000						
<b>3" NPT</b>	1739090000	1739100000							1739110000							

# Cable glands

## Stopper

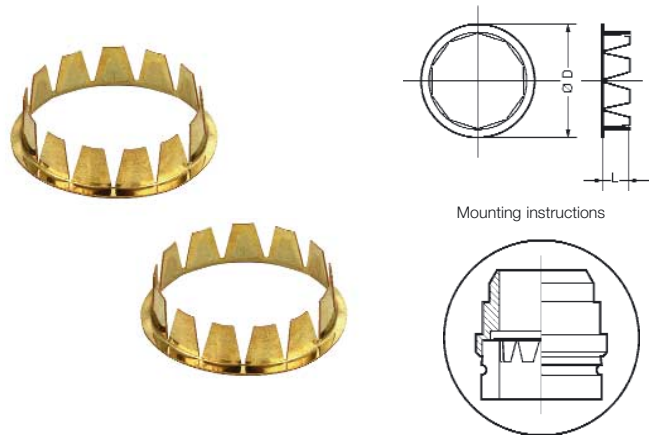
### Seal stopper



Closed version which can be used as a simple sealing plug

## Accessories

### Earthing washer, brass for lead-sheathed cables



In order to improve conductivity, the earthing washer is inserted into the cable gland when using lead-sheathed cables.

Please refer to the mounting instructions.

## Technical data

Material:	Polyethylene
Temperature:	-20°C ... +70°C
Protection class:	IP 54
Colour:	similar grey RAL 7035

## Ordering data

Type	Thread	L1	Qty.	Cat. No.
<b>PG seal stopper</b>				
DN Pg9	PG 9	9.5	50	<b>1719640000</b>
DN Pg11	PG 11	10	50	<b>1719650000</b>
DN Pg13.5	PG 13.5	12	50	<b>1719660000</b>
DN Pg16	PG 16	12	25	<b>1719670000</b>
DN Pg21	PG 21	14	20	<b>1719680000</b>
DN Pg29	PG 29	16	20	<b>1719690000</b>
DN Pg36	PG 36	19	10	<b>1719700000</b>
DN Pg42	PG 42	23	10	<b>1719710000</b>
DN Pg48	PG 48	24	5	<b>1719720000</b>

all sizes in mm

## Technical data

Material:	brass
-----------	-------

## Ordering data

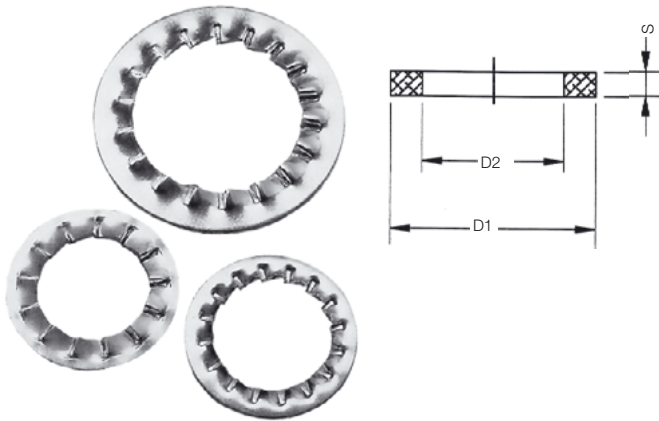
Type	Cable Ø	D	L	Qty.	Cat. No.
EA VS No. 6	6.0 - 11.0	13.9	4	20	<b>1736370000</b>
EA VS No. 7	9.0 - 15.0	18.3	4.8	20	<b>1736380000</b>
EA VS No. 8	12.0 - 20.0	23.8	5.7	20	<b>1736390000</b>
EA VS No. 9	18.0 - 26.5	31	7.2	20	<b>1736400000</b>
EA VS No. 10	21.0 - 32.5	38.3	8.2	20	<b>1736410000</b>
EA VS No. 11	28.0 - 39.5	45.3	8.8	20	<b>1736420000</b>
EA VS No. 12	33.0 - 46.5	52.8	9.5	20	<b>1736430000</b>
EA VS No. 13	40.0 - 54.5	60.8	10.1	10	<b>1736440000</b>
EA VS No. 14	46.5 - 61.0	71	11.4	10	<b>1736450000</b>
EA VS No. 15	54.0 - 72.5	80.5	12.6	10	<b>1736460000</b>
EA VS No. 16	63.0 - 81.5	89.5	12.6	5	<b>1736470000</b>

all sizes in mm

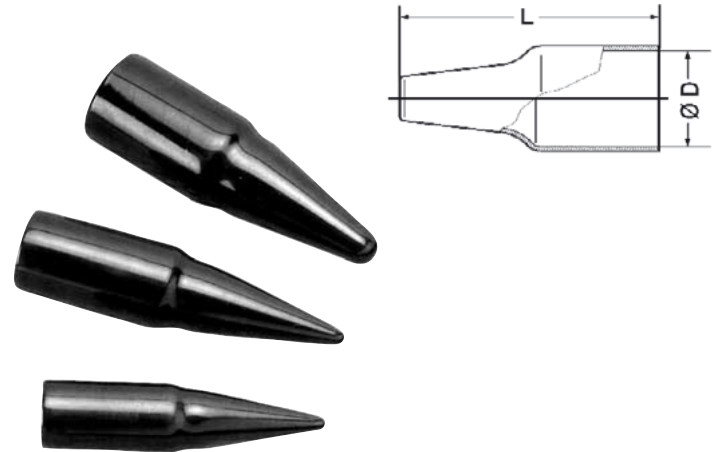
# Cable glands

## Accessories

### Serrated lock washer



### Protecting cap (shroud)



The protective cap is simply slid or pulled over the cable gland. The use of protective caps achieves a more effective sealing of the cable glands via the exterior cable sheath. This method of sealing protects cable glands in corrosive atmospheres.

### Technical data

Material:	Steel, nickel plated

### Technical data

Material:	PVC
Temperature:	-40 °C - 100 °C
Colour:	Black

### Ordering data

Type	Thread	D1	D2	S	Qty.	Cat. No.
<b>Metric safety washers</b>						
SZS M 16	M 16	-	-	-	10	<b>1736300000</b>
SZS M 20	M 20	32.8	21.5	1.5	10	<b>1736310000</b>
SZS M 25	M 25	39.8	26.5	1.9	10	<b>1736320000</b>
SZS M 32	M 32	49.3	32.8	1.5	10	<b>1736330000</b>
SZS M 40	M 40	64.5	42.2	1.8	5	<b>1736340000</b>
SZS M 50	M 50	80	53	1.8	5	<b>1736350000</b>
SZS M 63	M 63	100	64	1.9	5	<b>1736360000</b>

### Ordering data

Type	Cable Ø	D	L	L1	Qty.	Cat. No.
Protection cap No. 4	6.0 - 12.0	20	90	42	20	<b>1736560000</b>
Protection cap No. 5	6.0 - 12.0	20	90	42	20	<b>1736570000</b>
Protection cap No. 6	8.5 - 16.0	25	110	50	20	<b>1736580000</b>
Protection cap No. 7	10.0 - 21.0	31	110	50	20	<b>1736590000</b>
Protection cap No. 8	16.0 - 27.5	43	125	60	20	<b>1736600000</b>
Protection cap No. 9	21.0 - 34.0	50	135	70	20	<b>1736610000</b>
Protection cap No. 10	27.0 - 41.0	57	150	75	20	<b>1736620000</b>
Protection cap No. 11	33.0 - 48.0	67	165	80	10	<b>1736630000</b>
Protection cap No. 12	40.0 - 56.0	75	170	82	10	<b>1736640000</b>
Protection cap No. 13	47.0 - 65.0	89	190	97	10	<b>1736650000</b>
Protection cap No. 14	54.0 - 74.0	100	205	105	5	<b>1736660000</b>
Protection cap No. 15	63.0 - 83.0	115	245	120	5	<b>1736670000</b>
Protection cap No. 16	72.0 - 93.0	125	245	120	5	<b>1736680000</b>

all sizes in mm

all sizes in mm







