

High Density D-Subminiature Connector

17AE Series



FEATURE

- Right angle D-Sub connectors with SMT and DIP solder termination style.
- Compatible to standard D-Sub connectors.
- High temperature resin for reflow soldering process.
- 2mm shorter than standard D-Sub connector's height.
- Screw and board lock mounting.

SPECIFICATIONS

Rated Voltage	300V AC(r.m.s.)
Rated Current	3A / contact
Dielectric Withstanding Voltage	1000V AC(r.m.s.) / 1 minute
Insulation Resistance	1000M Ω (min.) at 500V DC
Contact Resistance	20m Ω (max.)
Operating Temperature	-65°C ~ 125°C

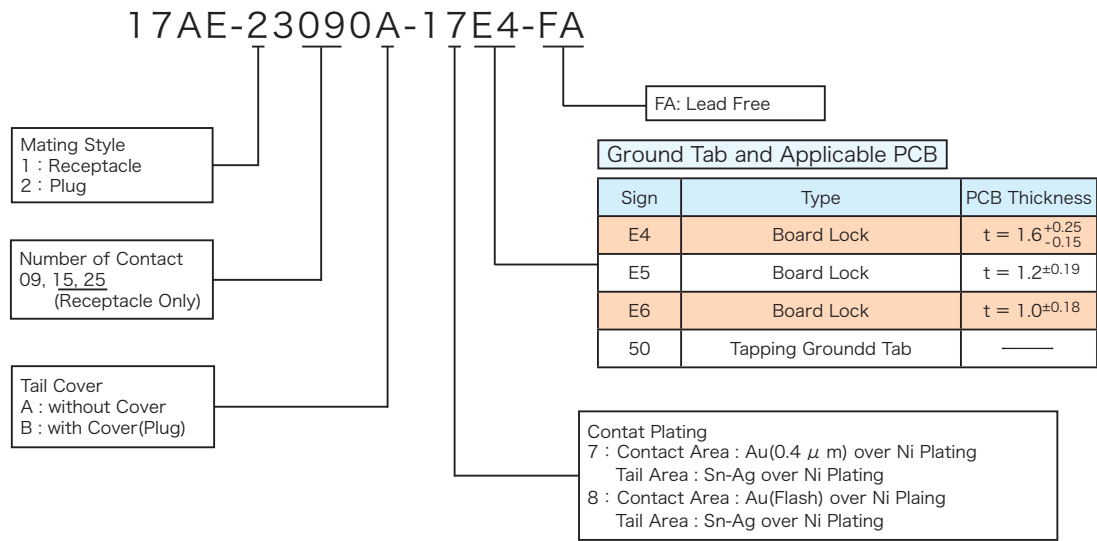
MATERIAL / FINISH



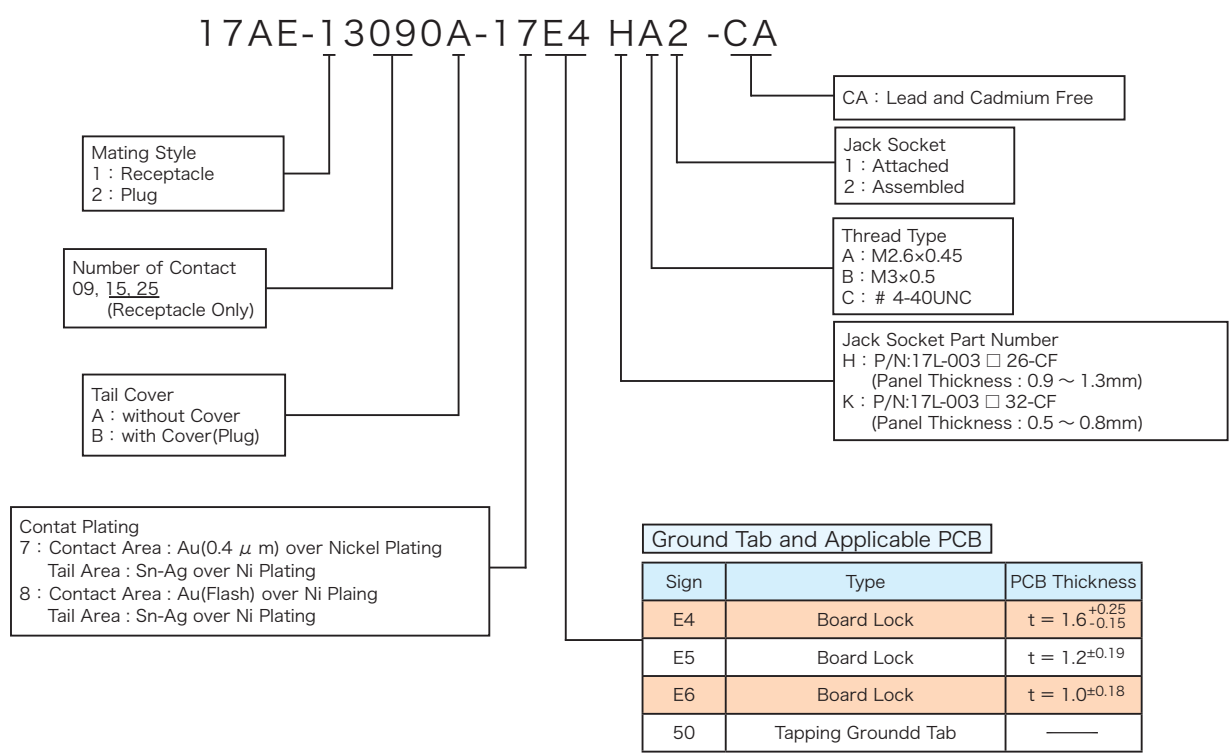
ITEM	MATERIAL / FINISH
Insulator	PPS Resin / (UL94V-0) / Black
Shell	Steel / Ni Plating
Contact	Copper Alloy / Contact Area: Au(0.4 μ m) over Ni Plating Tail Area: Sn-Ag over Ni Plating
Ground Tab	Copper Alloy / Sn-Ag Plating

© Specifications and/or dimensions in this catalogue are subject to change without notice.
Your catalogue checking the latest specifications with our drawings would be highly appreciated.

▶ DIP Mounting Style without Jack Socket

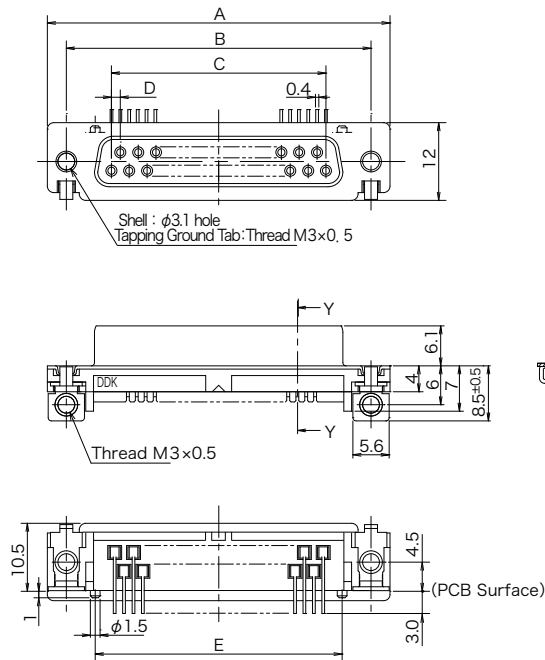


▶ DIP Mounting Style with Jack Socket



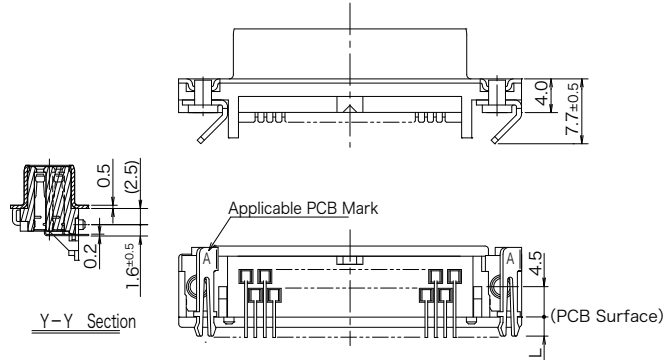
© Specifications and/or dimensions in this catalogue are subject to change without notice.
Your catalogue checking the latest specifications with our drawings would be highly appreciated.

DIP Mounting Style Receptacle Connector



Tapping Ground Tab Type
(17AE-13 □ □ OA-1 □ 50-FA)

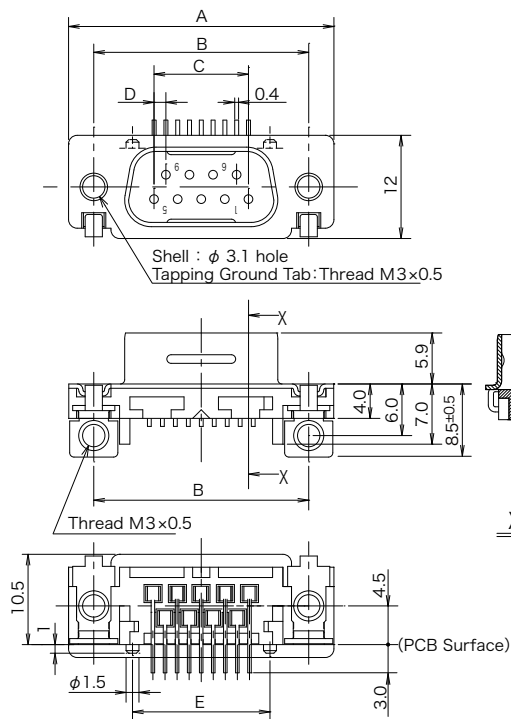
Number of Contact	A	B	C	D	E
9	30.8	24.99	10.98	1.373	15.98
15	39.1	33.32	19.20	1.371	24.20
25	53.0	47.04	33.12	1.380	38.12



Board Lock Ground Tab Type
(17AE-13 □ □ OA-1 □ E □ -FA)

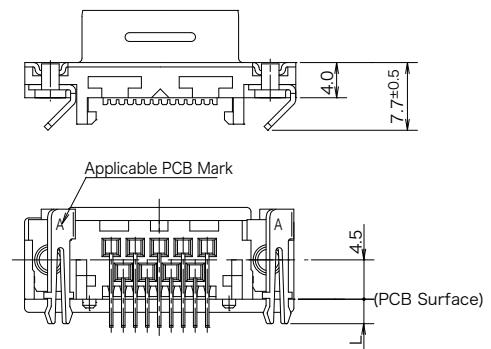
Part Number	L	Mark	PCB Thickness
17AE-13 □ □ OA-1 □ E4-FA	3.2	A	t = 1.6
17AE-13 □ □ OA-1 □ E5-FA	2.8	B	t = 1.2
17AE-13 □ □ OA-1 □ E6-FA	2.6	C	t = 1.0

DIP Mounting Style Plug Connector



Tapping Ground Tab Type
(17AE-23 □ □ OA-1 □ 50-FA)

Number of Contact	A	B	C	D	E
9	30.8	24.99	10.98	1.373	15.98

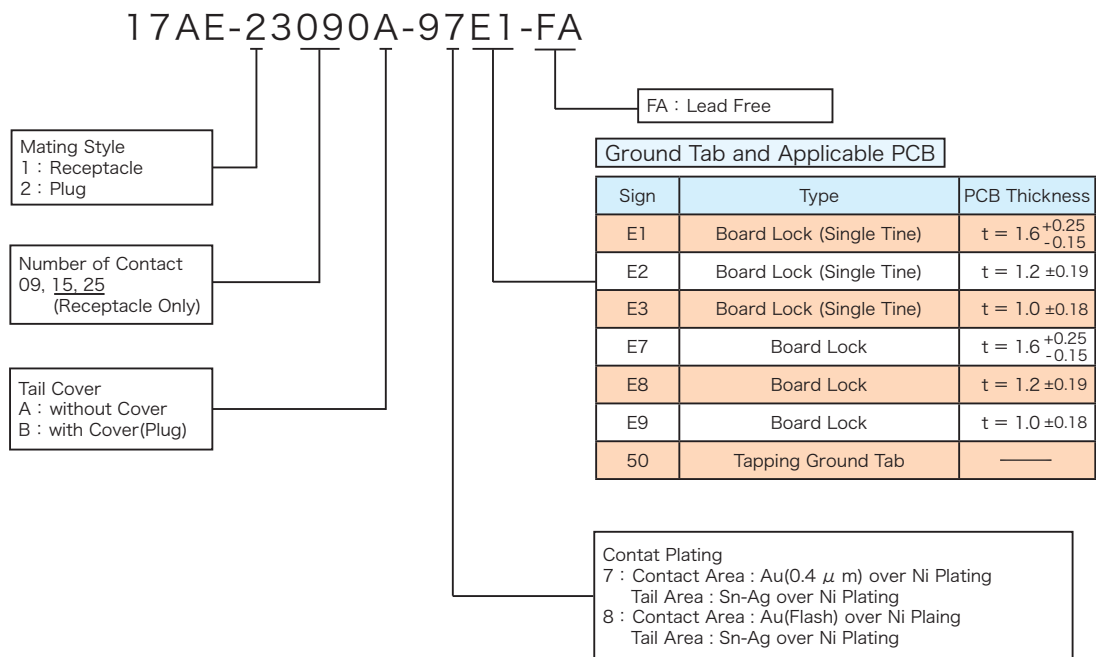


Board Lock Ground Tab Type
(17AE-23 □ □ OA-1 □ E □ -FA)

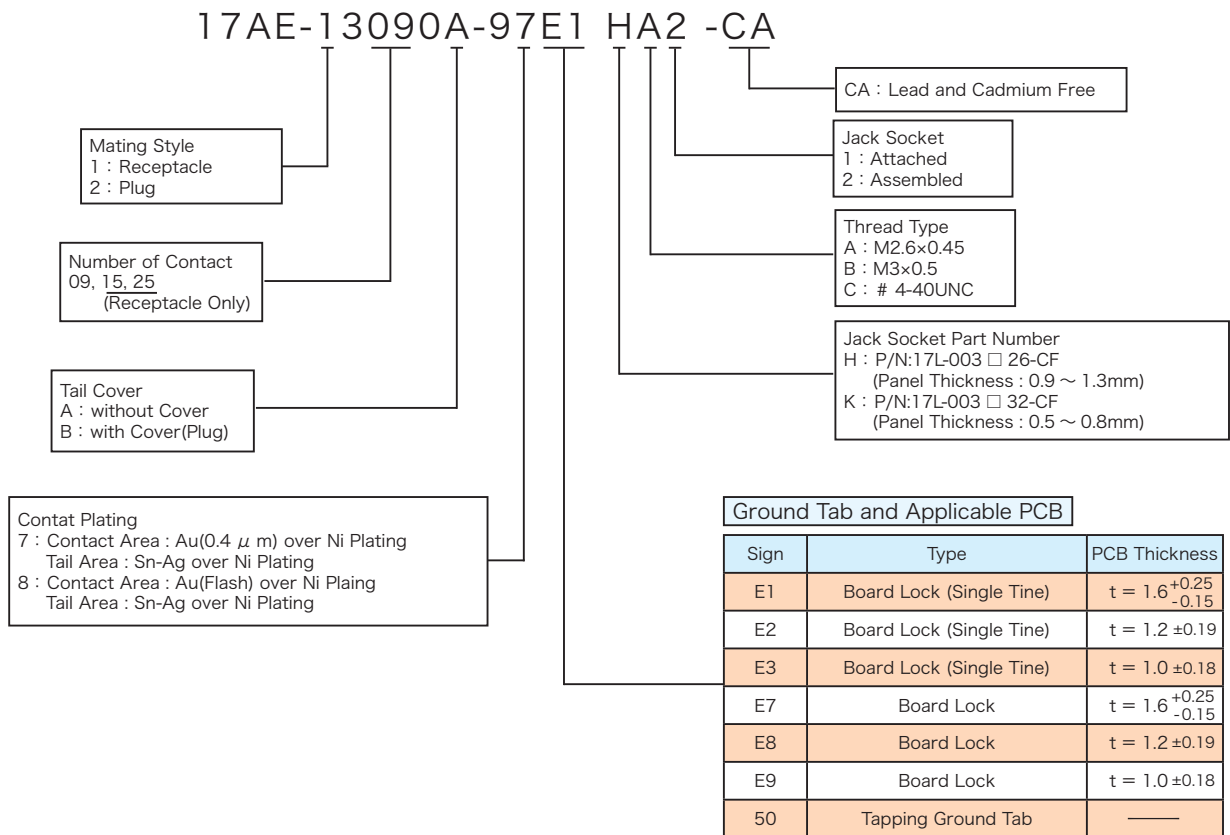
Part Number	L	Mark	PCB Thickness
17AE-23 □ □ OA-1 □ E4-FA	3.2	A	t = 1.6
17AE-23 □ □ OA-1 □ E5-FA	2.8	B	t = 1.2
17AE-23 □ □ OA-1 □ E6-FA	2.6	C	t = 1.0

※ Tail cover is common to SMT style plug connector.
Part Number : 17AE-09A-700

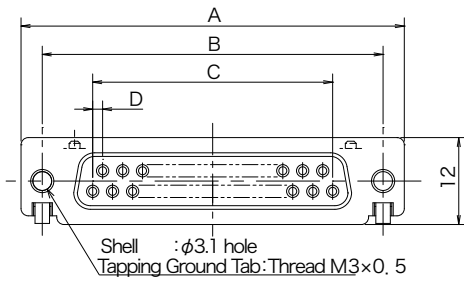
▶ SMT Mounting Style without Jack Socket



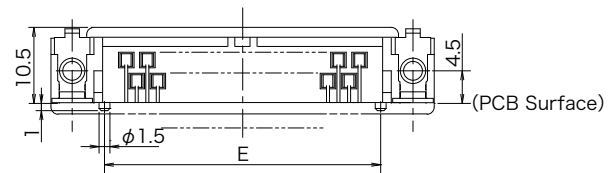
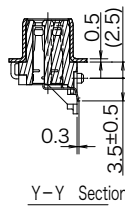
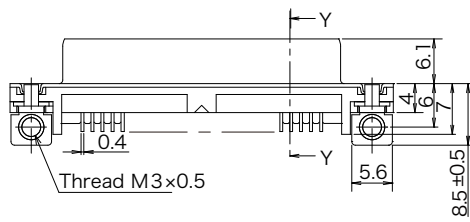
▶ SMT Mounting Style with Jack Socket



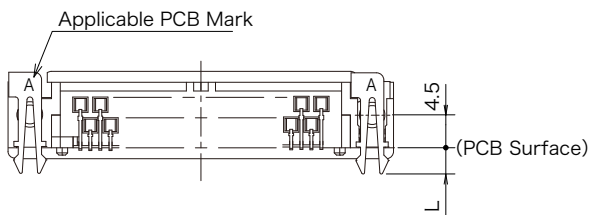
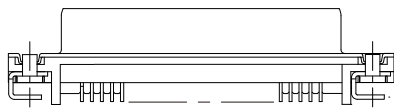
SMT Mounting Style Receptacle Connector



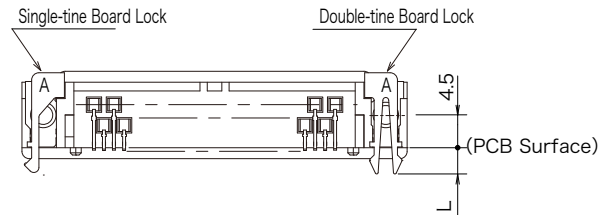
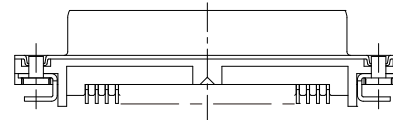
Number of Contact	A	B	C	D	E
9	30.8	24.99	10.98	1.373	15.98
15	39.1	33.32	19.20	1.371	24.20
25	53.0	47.04	33.12	1.380	38.12



Tapping Ground Tab Type
(17AE-13 □ □ 0A-9 □ 50-FA)



Board Lock Ground Tab Type
(17AE-13 □ □ 0A-9 □ E □ -FA)

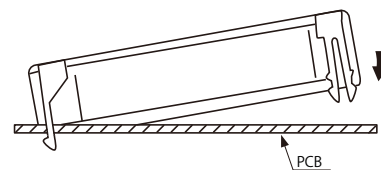


Single-tine Board Lock Ground Tab Type
(17AE-13 □ □ 0A-9 □ E □ -FA)

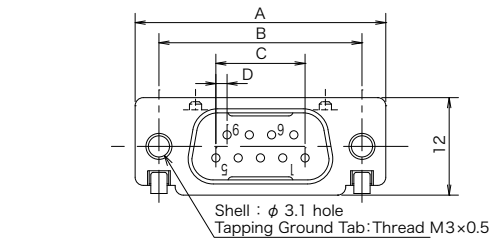
Part Number	L	Mark	PCB Thickness
17AE-13 □ □ 0A-9 □ E7-FA	4.0	A	t = 1.6
17AE-13 □ □ 0A-9 □ E8-FA	3.6	B	t = 1.2
17AE-13 □ □ 0A-9 □ E9-FA	3.4	C	t = 1.0

Part Number	L	Mark	PCB Thickness
17AE-13 □ □ 0A-9 □ E1-FA	4.0	A	t = 1.6
17AE-13 □ □ 0A-9 □ E2-FA	3.6	B	t = 1.2
17AE-13 □ □ 0A-9 □ E3-FA	3.4	C	t = 1.0

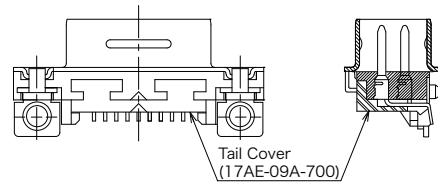
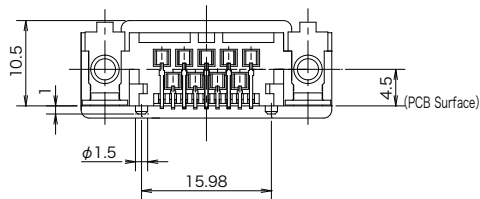
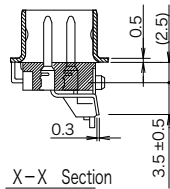
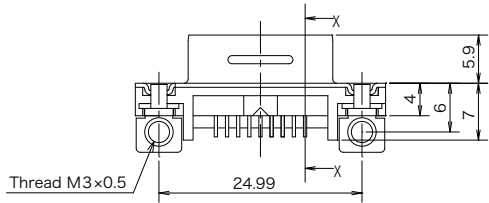
※ Insert the single lock pin first, and double lock pin next. It requires about a half insertion force to mount the connector on the PCB.



SMT Mounting Style Plug Connector

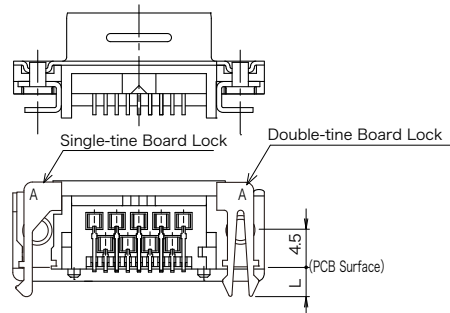
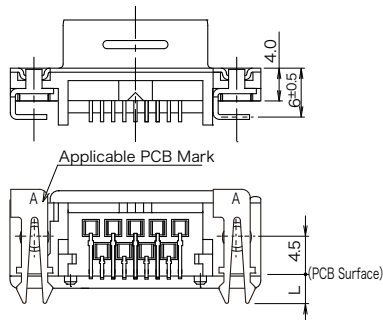


Number of Contact	A	B	C	D
9	30.8	24.99	10.98	1.373



Tapping Ground Tab Type
(17AE-23 □ □ 0A-9 □ 50-FA)

With Tail Cover
(17AE-23 □ □ 0B-9 □ □ □)



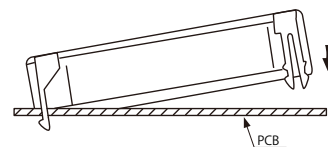
Board Lock Ground Tab Style
(17AE-23 □ □ 0A-9 □ E □ -FA)

Single-tine Board Lock Ground Tab Style
(17AE-23 □ □ 0A-9 □ E □ -FA)

Part Number	L	Mark	PCB Thickness
17AE-23 □ □ 0A-9 □ E7-FA	4.0	A	t = 1.6
17AE-23 □ □ 0A-9 □ E8-FA	3.6	B	t = 1.2
17AE-23 □ □ 0A-9 □ E9-FA	3.4	C	t = 1.0

Part Number	L	Mark	PCB Thickness
17AE-23 □ □ 0A-9 □ E1-FA	4.0	A	t = 1.6
17AE-23 □ □ 0A-9 □ E2-FA	3.6	B	t = 1.2
17AE-23 □ □ 0A-9 □ E3-FA	3.4	C	t = 1.0

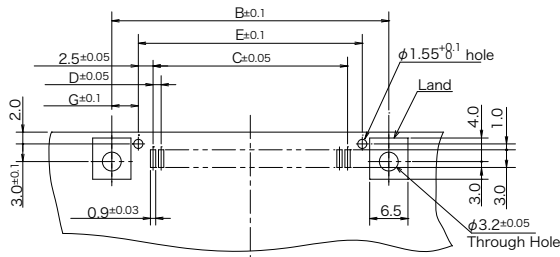
※ Insert the single lock pin first, and double lock pin next. It requires about a half insertion force to mount the connector on the PCB.



▶ PCB Mounting Dimensions(Reference)

● SMT Mounting Style

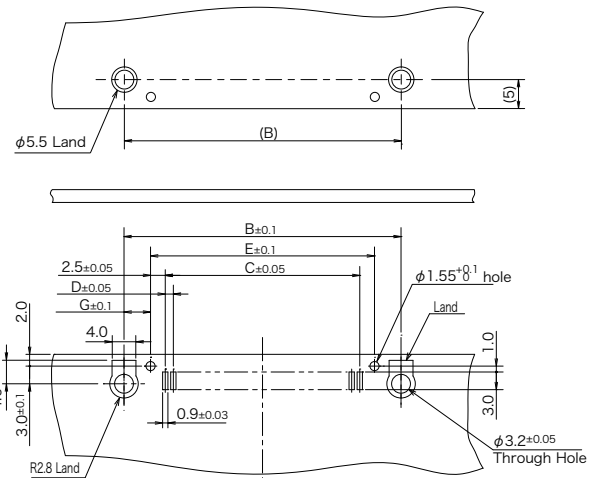
Tapping Ground Tab Style
 (17AE- □ 3 □ □ OA-9 □ 50 □ □ □ - □ □)



PCB Mounting Dimensions

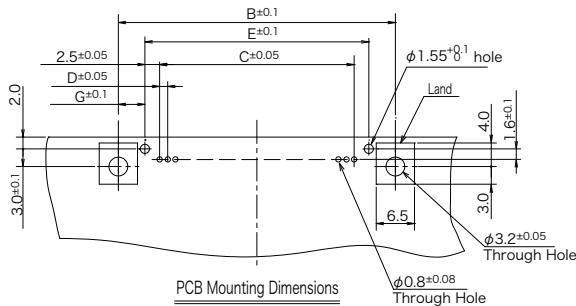
Number of Contact	B	C	D	E	G
9	24.99	10.98	1.373	15.98	4.51
15	33.32	19.20	1.371	24.20	4.56
25	47.04	33.12	1.380	38.12	4.46

Board Lock Ground Tab Style
 (17AE- □ 3 □ □ OA-9 □ E □ □ □ □ - □ □)



● DIP Mounting Style

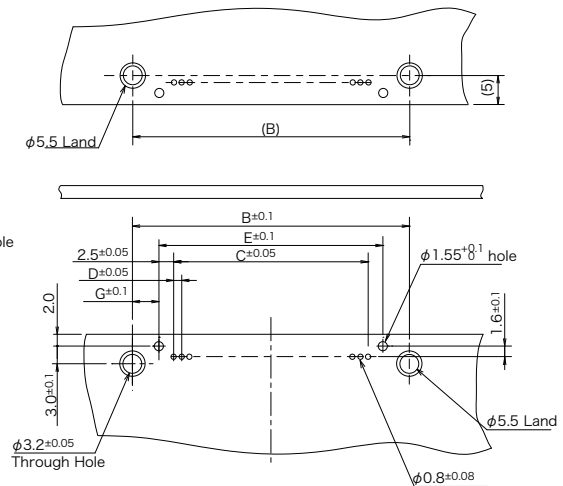
Tapping Ground Tab Type
 (17AE- □ 3 □ □ OA-1 □ 50 □ □ □ - □ □)



PCB Mounting Dimensions

Number of Contact	B	C	D	E	G	
					Tapping Type	Board Lock Type
9	24.99	10.98	1.373	15.98	4.51	3.51
15	33.32	19.20	1.371	24.20	4.56	3.56
25	47.04	33.12	1.380	38.12	4.46	3.46

Board Lock Ground Tab Type
 (17AE- □ 3 □ □ OA-1 □ E □ □ □ □ - □ □)



Jack Socket

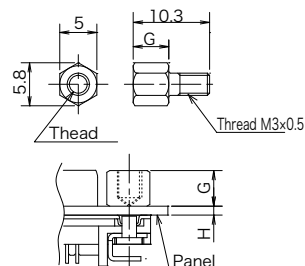
(Panel Mounting Type)

● Jack Socket

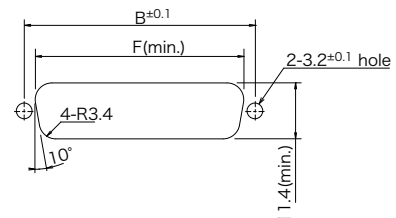
Material/Finish : Copper Alloy/Nickel Plating

Part Number	G	H : PCB Thickness
17L-003 □ 26-CF	4.8	0.9 ~ 1.3
17L-003 □ 32-CF	5.3	0.5 ~ 0.8

□ : Thread Size
 A : M2.6 × 0.45
 B : M3 × 0.5
 C : # 4-40UNC



Panel Cut-out Dimensions



Number of Contact	B	F
9	24.99	20.5
15	33.32	28.8
25	47.04	42.5