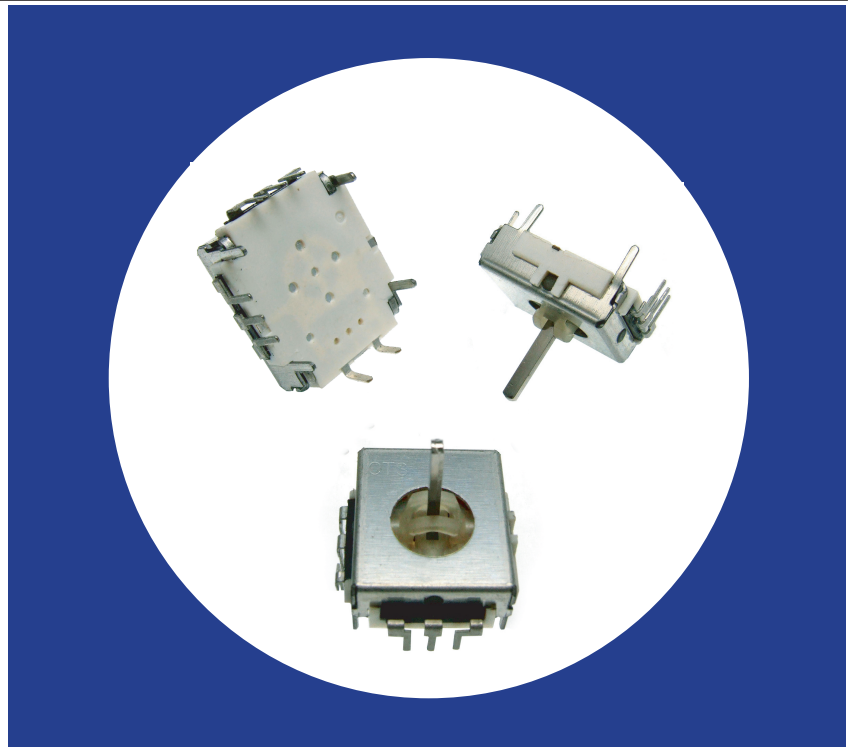


Two Axis, Ministick Controller With Optional Momentary Switch

Features

- Compact Size: 20x18x6mm (.79"x.71"x.24")
- Long Life 1 Million Cycles
- Optional momentary switch is operational at all rotations
- Sturdy metal case with convenient mounting tabs
- RoHS compliant



Pat. No: US 6,654,005 . Taiwan: 176676. Pat. Pending in Japan & China

Electrical and Mechanical Specifications

Potentiometer 1 & 2

Resistance Range

10 K ohms through 200 K ohms

Resistance Tolerance

Standard: $\pm 30\%$

Special: $\pm 10\%$ and $\pm 20\%$ available

Insulation Resistance

100 Megaohms @ 250 VDC

Operation Torque

180 \pm 50 gf-cm (2.5 \pm 0.7 in-oz)

Power Rating

0.0125 watt @ 50°C, derated to load @ 85°C

Maximum Operating Voltage

50 VAC or 5 VDC maximum

Angle of Rotation

54° maximum

Life

Standard: 1,000,000 cycles

Special: Consult CTS

RoHS Compliance

Compliant with European Union RoHS Directive

Available Switch

Type

Momentary

Contact Resistance

100 milliohms max

Maximum Contact Resistance

200 milliohms max after 500,000 cycles
switching 5mA @ 5VDC

Dielectric Strength

250 VAC 50/60 Hz for 1 minute

Insulation Resistance

100 Megaohms min @ 100 VDC

Operational Force

1,200 \pm 260 g

Power Rating

5 VDC, 5 mA maximum

Travel

0.5 $\begin{matrix} +0.5 \\ -0.4 \end{matrix}$ mm

Switch Life

500,000 cycles

Electrical and Mechanical Specifications

Potentiometer 1 & 2

Operating Temperature
Operating: -10°C to +70°C

Mounting Information
PC Terminals

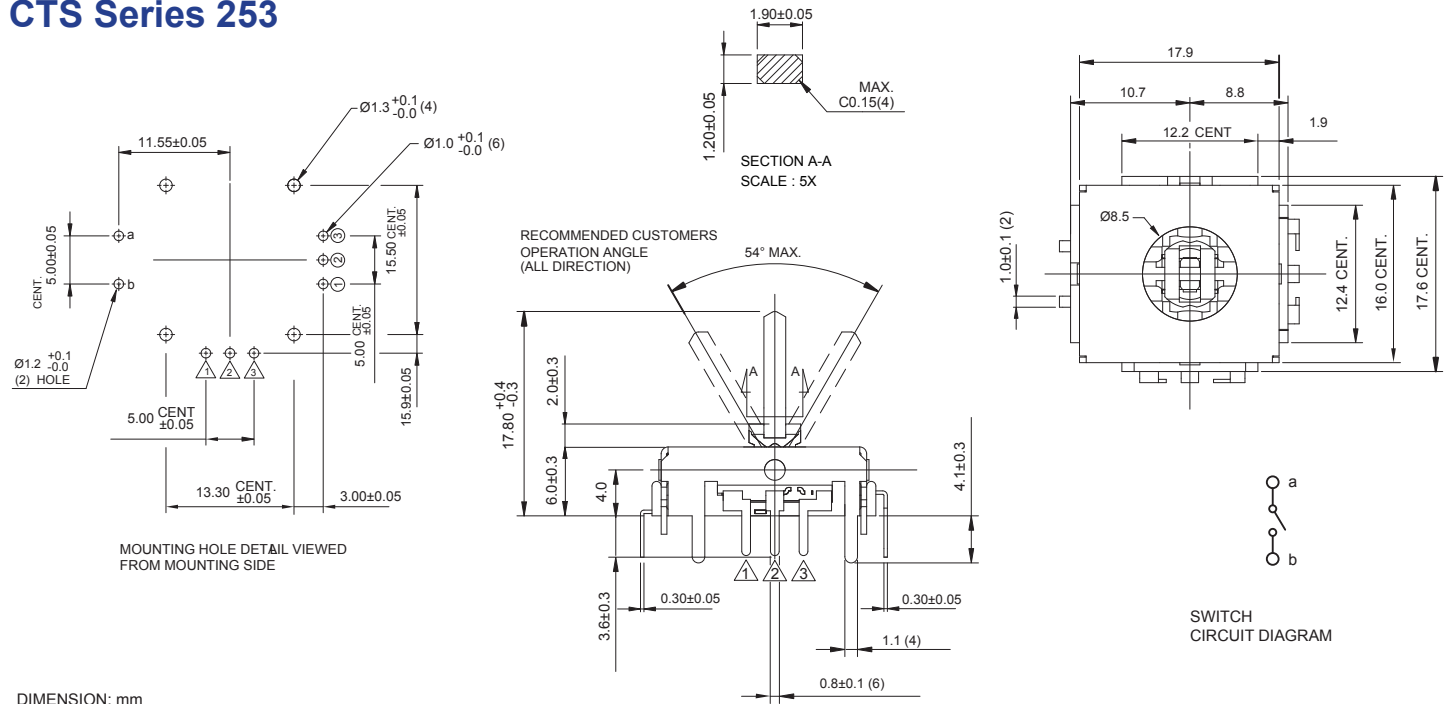
Soldering Conditions

Wave - up to 5 seconds at 260°C
No Solder or flux on component side of board

Caution

Please use extra mechanism to restrict rotational angle at less than 54 degree or there will be bumpy or rugged rotational feeling

CTS Series 253



Ordering Information

