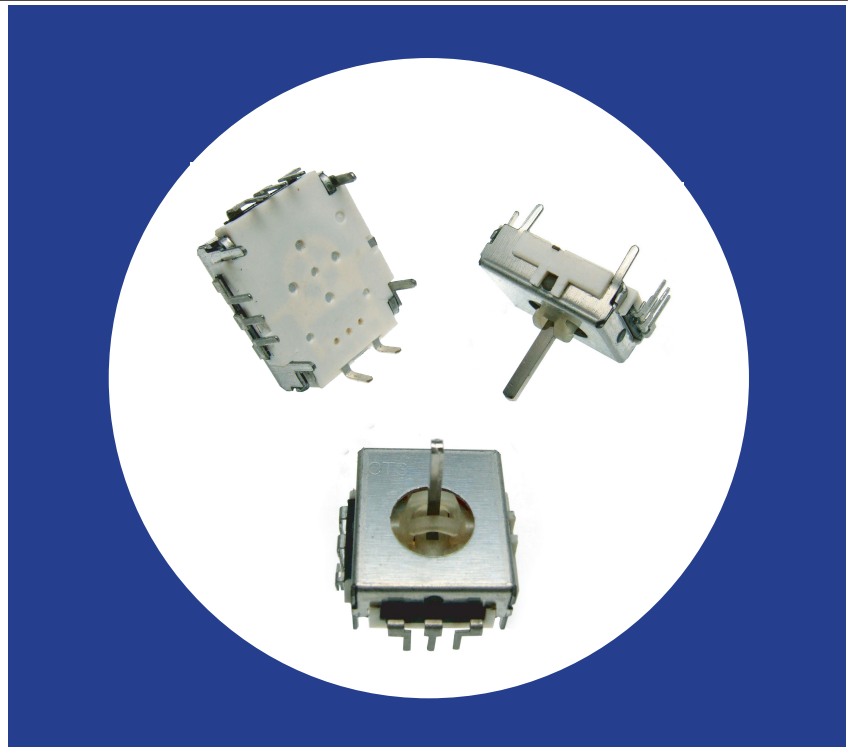


### Two Axis, Ministick Controller With Optional Momentary Switch

#### Features

- Compact Size: 20x18x6mm (.79"x.71"x.24")
- Long Life 1 Million Cycles
- Optional momentary switch is operational at all rotations
- Sturdy metal case with convenient mounting tabs
- RoHS compliant



Pat. No: US 6,654,005 . Taiwan: 176676. Pat. Pending in Japan & China

### Electrical and Mechanical Specifications

#### Potentiometer 1 & 2

**Resistance Range**

10 K ohms through 200 K ohms

**Resistance Tolerance**

Standard:  $\pm 30\%$

Special:  $\pm 10\%$  and  $\pm 20\%$  available

**Insulation Resistance**

100 Megaohms @ 250 VDC

**Operation Torque**

180  $\pm$ 50 gf-cm (2.5  $\pm$ 0.7 in-oz)

**Power Rating**

0.0125 watt @ 50°C, derated to load @ 85°C

**Maximum Operating Voltage**

50 VAC or 5 VDC maximum

**Angle of Rotation**

54° maximum

**Life**

Standard: 1,000,000 cycles

Special: Consult CTS

**RoHS Compliance**

Compliant with European Union RoHS Directive

#### Available Switch

**Type**

Momentary

**Contact Resistance**

100 milliohms max

**Maximum Contact Resistance**

200 milliohms max after 500,000 cycles  
switching 5mA @ 5VDC

**Dielectric Strength**

250 VAC 50/60 Hz for 1 minute

**Insulation Resistance**

100 Megaohms min @ 100 VDC

**Operational Force**

1,200 $\pm$ 260 g

**Power Rating**

5 VDC, 5 mA maximum

**Travel**

0.5  $\begin{matrix} +0.5 \\ -0.4 \end{matrix}$  mm

**Switch Life**

500,000 cycles

# Electrical and Mechanical Specifications

## Potentiometer 1 & 2

**Operating Temperature**  
 Operating: -10°C to +70°C

**Mounting Information**  
 PC Terminals

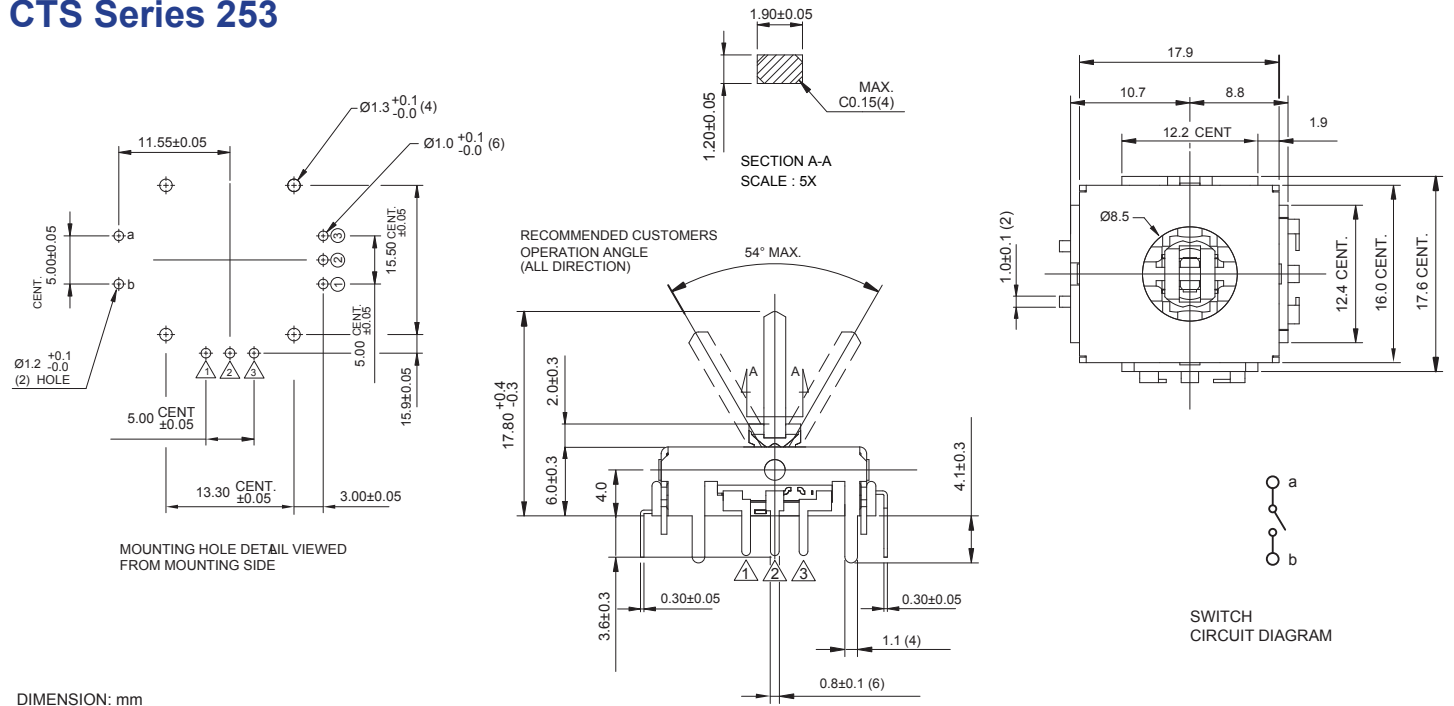
### Soldering Conditions

Wave - up to 5 seconds at 260°C  
 No Solder or flux on component side of board

### Caution

Please use extra mechanism to restrict rotational angle at less than 54 degree or there will be bumpy or rugged rotational feeling

## CTS Series 253



## Ordering Information

