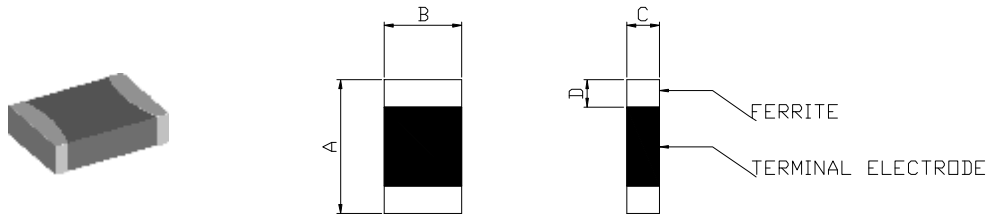


MECHANICALS

**I FEATURE**

1. Operating temperature -40°C to 80°C
2. Excellent solderability and resistance to soldering heat.
3. suitable for flow and reflow soldering
4. Good dimensions, high reliability, and easy surface mount assembly
5. Wide range of inductance value for flexible needs

I APPLICATIONS

1. mobile phones
2. potable phones
3. cordless phones
4. pages and personal hardy systems(phs)

I 特性

1. 操作溫度範圍： -40°C 到 80°C
2. 良好的焊錫性和耐熱性
3. 適用於 flow 及 reflow 之焊錫
4. 標準的尺寸，高可靠度及易於表面貼裝配置
5. 各種範圍的容量可供選擇

I 用途

1. 行動電話
2. 手提式電話
3. 無線電話
4. 呼叫器及個人手提電話系統

I TYPE AND DIMENSION

TYPE	A	B	C	D
MI160808 (0603)	1.6 ± 0.2 (0.063 ± 0.008)	0.8 ± 0.2 (0.31 ± 0.008)	0.8 ± 0.2 (0.31 ± 0.008)	0.5 ± 0.3 (0.020 ± 0.012)
MI160812 (0603)	1.6 ± 0.2 (0.063 ± 0.008)	0.8 ± 0.2 (0.31 ± 0.008)	1.2 ± 0.2 (0.047 ± 0.008)	0.5 ± 0.3 (0.020 ± 0.012)
MI201209 (0850)	2.0 ± 0.2 (0.079 ± 0.008)	1.2 ± 0.2 (0.047 ± 0.008)	0.9 ± 0.2 (0.035 ± 0.008)	0.5 ± 0.3 (0.020 ± 0.012)
MI201212 (0850)	2.0 ± 0.2 (0.079 ± 0.008)	1.2 ± 0.2 (0.047 ± 0.008)	1.2 ± 0.2 (0.047 ± 0.008)	0.5 ± 0.3 (0.020 ± 0.012)
MI321611 (1206)	3.2 ± 0.2 (0.126 ± 0.008)	1.6 ± 0.2 (0.063 ± 0.008)	1.1 ± 0.2 (0.047 ± 0.008)	0.5 ± 0.3 (0.020 ± 0.012)
MI321616 (1206)	3.2 ± 0.2 (0.126 ± 0.008)	1.6 ± 0.2 (0.063 ± 0.008)	1.6 ± 0.2 (0.063 ± 0.008)	0.5 ± 0.3 (0.020 ± 0.012)

I PATR NUMBERING SYSTEM(品名規定)

<u>MI</u>	<u>1 6 0 8 0 8</u>	-	<u>47N</u>	<u>□</u>	<u>O</u>
1	2		3	4	5
multilayer chip Inductors 多層貼片電感	Dimensions A.B.C 尺寸		Inductance 電感值	Tolerance 公差	Packaging style 包裝類型 B=Bulk, T=Tape&Reel

I MATERIAL CHARACTERISTIC

ITEM	UNIT		STANDARD VALUE		
Material Code	-	B	U	Z	G
Initial Permeability (μiac)	-	45	200	500	110
Maximum Permeability(mm)	-	125	450	900	250
Saturation Flux Density at 10 0e	Gauss	2000	1400	1500	1700
Curie Temperature	°C	>200	>130	>100	>130
Volume Resistivity	Ω·m	10 ⁵	10 ⁵	10 ⁵	10 ⁵
Temperature Coefficient	10 ⁻⁶ /°C	10	13	5	12
Density	g/cm ³	4.8	4.8	4.8	4.8

I ELECTRICAL SPECIFICATION

PART NO.	INDUCTANCE	Q	TEST FREQ	S.R.F FREQ	DC RESISTANCE	RATED CURRENT
	(μH)	MIN	(MHz)	(MHz)MIN.	(Ω)MAX	(mA)MAX
MI160808-47N□O	0.047 ±20%	10	50	260	0.30	50
MI160808-68N□O	0.068 ±20%	10	50	250	0.30	50
MI160808-82N□O	0.082±20%	10	50	245	0.30	50
MI160808-R10□O	0.10 ±20%	15	25	240	0.50	50
MI160808-R12□O	0.12±20%	15	25	205	0.50	50
MI160808-R15□O	0.15 ±20%	15	25	180	0.60	50
MI160808-R18□O	0.18±20%	15	25	165	0.60	50
MI160808-R22□O	0.22 ±20%	15	25	150	0.80	50
MI160808-R27□O	0.27 ±20%	15	25	136	0.80	50
MI160808-R33□O	0.33 ±20%	15	25	125	0.85	35
MI160808-R39□O	0.39 ±20%	15	25	110	1.00	35
MI160808-R47□O	0.47 ±20%	15	25	105	1.35	35



I ELECTRICAL SPECIFICATION

PART NO.	INDUCTANCE	Q	TEST FREQ	S.R.F FREQ	DC RESISTANCE	RATED CURRENT
	(μH)	MIN	(MHz)	(MHz)MIN.	(Ω)MAX	(mA)MAX
MI160808-R56□O	0.56 \pm 20%	15	25	95	1.55	35
MI160808-R68□O	0.68 \pm 20%	15	25	90	1.70	35
MI160808-R82□O	0.82 \pm 20%	15	25	85	2.10	35
MI160808-1R0□O	1.0 \pm 20%	35	10	75	0.60	25
MI160808-1R2□O	1.2 \pm 20%	35	10	65	0.80	25
MI160808-1R5□O	1.5 \pm 20%	35	10	60	0.80	25
MI160808-1R8□O	1.8 \pm 20%	35	10	55	0.95	25
MI160808-2R2□O	2.2 \pm 20%	35	10	50	1.15	15
MI160808-2R7□O	2.7 \pm 20%	35	10	45	1.35	15
MI160808-3R3□O	3.3 \pm 20%	35	10	40	1.55	15
MI160808-3R9□O	3.9 \pm 20%	35	10	35	1.70	15
MI160808-4R7□O	4.7 \pm 20%	35	10	33	2.10	15
MI160808-5R6□O	5.6 \pm 20%	35	4	32	1.55	5
MI201209-47N□O	0.047 \pm 20%	15	50	320	0.20	300
MI201209-68N□O	0.068 \pm 20%	15	50	280	0.20	300
MI201209-82N□O	0.082 \pm 20%	15	50	255	0.20	300
MI201209-R10□O	0.10 \pm 20%	20	25	235	0.30	250
MI201209-R12□O	0.12 \pm 20%	20	25	220	0.30	250
MI201209-R15□O	0.15 \pm 20%	20	25	200	0.40	250
MI201209-R18□O	0.18 \pm 20%	20	25	185	0.40	250
MI201209-R22□O	0.22 \pm 20%	20	25	170	0.50	250
MI201209-R27□O	0.27 \pm 20%	20	25	150	0.50	250
MI201209-R33□O	0.33 \pm 20%	20	25	145	0.55	250
MI201209-R39□O	0.39 \pm 20%	25	25	135	0.65	200
MI201209-R47□O	0.47 \pm 20%	25	25	125	0.65	200
MI201209-R56□O	0.56 \pm 20%	25	25	115	0.75	150
MI201209-R68□O	0.68 \pm 20%	25	25	105	0.80	150
MI201209-R82□O	0.82 \pm 20%	25	25	100	1.00	150
MI201209-1R0□O	1.0 \pm 20%	45	10	75	0.40	50
MI201209-1R2□O	1.2 \pm 20%	45	10	65	0.50	50
MI201209-1R5□O	1.5 \pm 20%	45	10	60	0.50	50
MI201209-1R8□O	1.8 \pm 20%	45	10	55	0.60	50
MI201209-2R2□O	2.2 \pm 20%	45	10	50	0.65	30



I ELECTRICAL SPECIFICATION

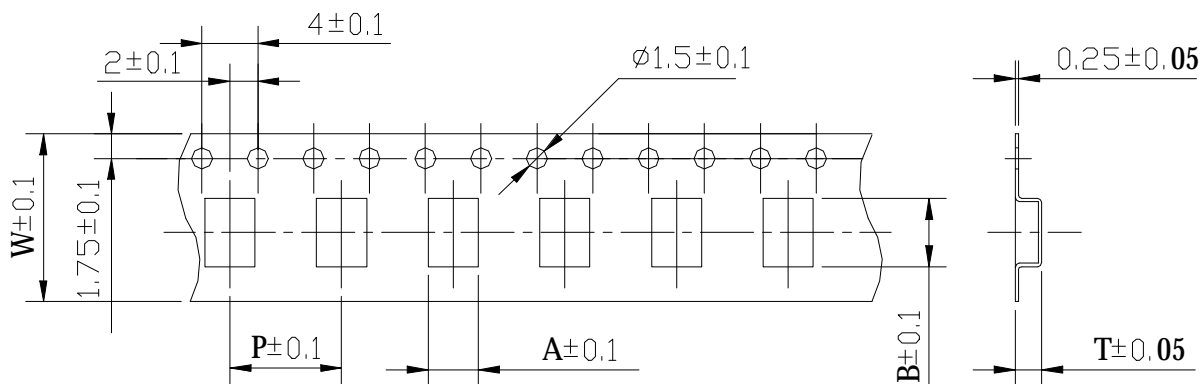
PART NO.	INDUCTANCE	Q	TEST FREQ	S.R.F FREQ	DC RESISTANCE	RATED CURRENT
	(μH)	MIN	(MHz)	(MHz)MIN.	(Ω)MAX	(mA)MAX
MI201212-2R7□O	2.7 \pm 20%	45	10	45	0.75	30
MI201212-3R3□O	3.3 \pm 20%	45	10	41	0.80	30
MI201212-3R9□O	3.9 \pm 20%	45	10	38	0.90	30
MI201212-4R7□O	4.7 \pm 20%	45	10	35	1.00	30
MI201212-5R6□O	5.6 \pm 20%	50	4	32	0.90	15
MI201212-6R8□O	6.8 \pm 20%	50	4	29	1.00	15
MI201212-8R2□O	8.2 \pm 20%	50	4	26	1.10	15
MI201212-100□O	10 \pm 20%	50	2	24	1.15	15
MI201212-120□O	12 \pm 20%	50	2	22	1.25	15
MI201212-150□O	15 \pm 20%	30	1	19	0.80	5
MI201212-180□O	18 \pm 20%	30	1	18	0.90	5
MI201212-220□O	22 \pm 20%	30	1	16	1.10	5
MI201212-270□O	27 \pm 20%	30	1	14	1.15	5
MI201212-330□O	33 \pm 20%	30	0.4	13	1.25	5
MI201212-390□O	39 \pm 20%	35	2	8	2.90	4
MI201212-470□O	47 \pm 20%	35	2	7.5	3.00	4
MI201212-560□O	56 \pm 20%	35	2	7	3.10	4
MI321611-47N□O	0.047 \pm 20%	20	50	320	0.15	300
MI321611-68N□O	0.068 \pm 20%	20	50	280	0.25	300
MI321611-R10□O	0.10 \pm 20%	20	25	235	0.25	250
MI321611-R12□O	0.12 \pm 20%	20	25	220	0.30	250
MI321611-R15□O	0.15 \pm 20%	20	25	200	0.30	250
MI321611-R18□O	0.18 \pm 20%	20	25	185	0.40	250
MI321611-R22□O	0.22 \pm 20%	20	25	170	0.40	250
MI321611-R27□O	0.27 \pm 20%	20	25	150	0.50	250
MI321611-R33□O	0.33 \pm 20%	20	25	145	0.60	250
MI321611-R39□O	0.39 \pm 20%	20	25	135	0.50	200
MI321611-R47□O	0.47 \pm 20%	25	25	125	0.60	200
MI321611-R56□O	0.56 \pm 20%	25	25	115	0.70	150
MI321611-R68□O	0.68 \pm 20%	25	25	105	0.80	150
MI321611-R82□O	0.82 \pm 20%	25	25	100	0.90	150
MI321611-1R0□O	1.0 \pm 20%	45	10	75	0.40	100
MI321611-1R2□O	1.2 \pm 20%	45	10	65	0.50	100

I ELECTRICAL SPECIFICATION

PART NO.	INDUCTANCE	Q	TEST FREQ	S.R.F FREQ	DC RESISTANCE	RATED CURRENT
	(μ H)	MIN	(MHz)	(MHz)MIN.	(Ω)MAX	(mA)MAX
MI321611-1R5□O	1.5 \pm 20%	45	10	60	0.50	50
MI321611-1R8□O	1.8 \pm 20%	45	10	55	0.50	50
MI321611-2R2□O	2.2 \pm 20%	45	10	50	0.60	50
MI321611-2R7□O	2.7 \pm 20%	45	10	45	0.60	50
MI321611-3R3□O	3.3 \pm 20%	45	10	41	0.70	50
MI321611-3R9□O	3.9 \pm 20%	45	10	38	0.80	50
MI321611-4R7□O	4.7 \pm 20%	45	10	35	0.90	50
MI321611-5R6□O	5.6 \pm 20%	50	4	32	0.70	25
MI321611-6R8□O	6.8 \pm 20%	50	4	29	0.80	25
MI321611-8R2□O	8.2 \pm 20%	50	4	26	0.90	25
MI321611-100□O	10 \pm 20%	50	2	24	1.00	25
MI321611-120□O	12 \pm 20%	50	2	22	1.05	15
MI321611-150□O	15 \pm 20%	35	1	19	0.70	5
MI321611-180□O	18 \pm 20%	35	1	18	0.70	5
MI321611-220□O	22 \pm 20%	35	1	16	0.90	5
MI321611-270□O	27 \pm 20%	35	1	14	0.90	5
MI321611-330□O	33 \pm 20%	35	0.4	13	1.05	5
MI321611-390□O	39 \pm 20%	40	2	11	3.00	10
MI321611-470□O	47 \pm 20%	40	2	10	3.40	10
MI321611-560□O	56 \pm 20%	40	2	9.5	3.80	4

1. 47NMEANS 47nH or 0.047uH
2. □:MEANS THE INDUCTANCE TOLERANCE.M= \pm 20%,K= \pm 10%,J= \pm 5%
3. O:MEANS PACKAGING STYLE

● PACKING

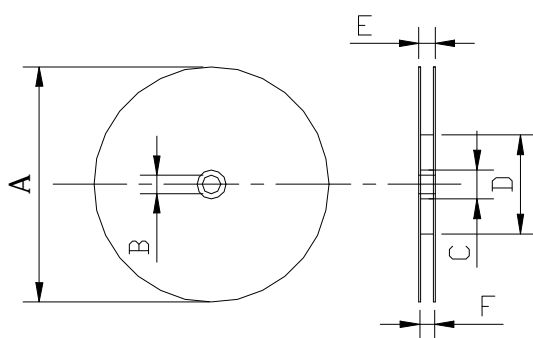


1. TAPE DIMENSIONS AND PACKING QUANTITY

TYPE	A	B	W	P	T	CHIPS/REEL
MI321616	1.9	3.5	8	4	2.0	2000
MI321611	1.9	3.5	8	4	1.5	3000
MI201212	1.5	2.3	8	4	1.6	3000
MI201209	1.5	2.3	8	4	1.3	4000
MI160812	1.1	1.9	8	4	1.5	3000
MI160808	1.1	1.9	8	4	1.1	4000

Material: Paper, Plastic

2. REEL DIMENSION



DIMENSION	W=8 mm	W=12mm
A	178±2	178±2
B	13.0±0.8	13.0±0.8
C	21.0±0.8	21.0±0.8
D	75	75
E	12.5	16.5
F	10.0	14.0