

MRS SERIES

Miniature Rotary • Gold Contacts Available

A-95-09

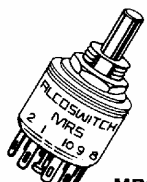
SPECIFICATIONS

Contacts: silver- silver plated Beryllium copper /gold available	Case Material: zinc die cast
Contact Rating: gold- 0.4 VA at 20 VDC max. silver- 150 mA at 115 VAC	Actuator Material: stainless steel
Initial Contact Resistance: 20 milliohms max.	Rotation Torque: 15 inch - ounce average
Contact Timing: non-shorting standard/shorting available	Plunger/Actuator Travel: 36°
Insulation Resistance: 10,000 megohms min.	Terminal Seal: insert molded
Dielectric Strength: 600 volts RMS at sea level	Process Seal: MRSE only
Life Expectancy: 25,000 operations	Terminals/Fixed Contacts: silver plated brass/gold available
Operating Temperature: -20°C to +80°C (-4°F to +176°F)	High Torque Bushing Shoulder: N/A
Storage Temperature: -20°C to +100°C (-4°F to +212°F)	Solder Heat Resistance: manual- 270°C for 3 seconds

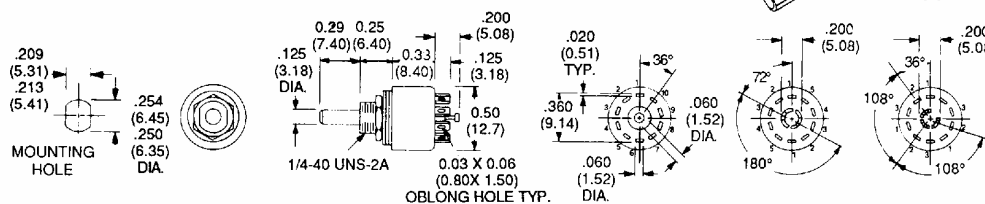
Note: Refer to page M36 for additional options.

NOTICE: Intermediate stop positions are easily made by properly orienting external stop ring.

36° ANGLE OF THROW

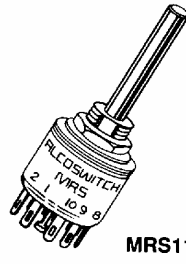


MRS110

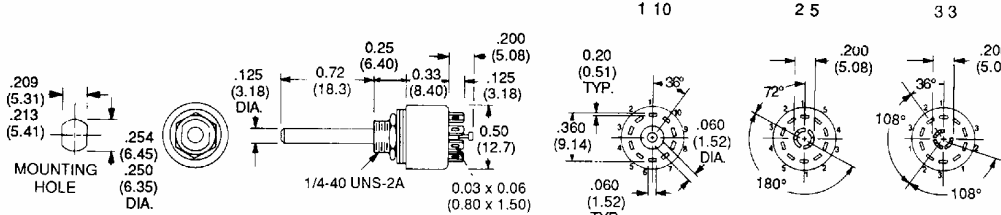


MODEL	NO. POLES	MAXIMUM POSITIONS	SPECIAL DETAILS
MRS110C	1 POLE	CONTINUOUS ROTATION	NON-SHORTING
MRS110	1 POLE	2-10 ADJUSTABLE	NON-SHORTING
MRS25	2 POLES	2-5 ADJUSTABLE	NON-SHORTING
MRS33	3 POLES	2-3 ADJUSTABLE	NON-SHORTING

36° ANGLE OF THROW



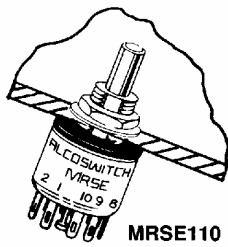
MRS110S



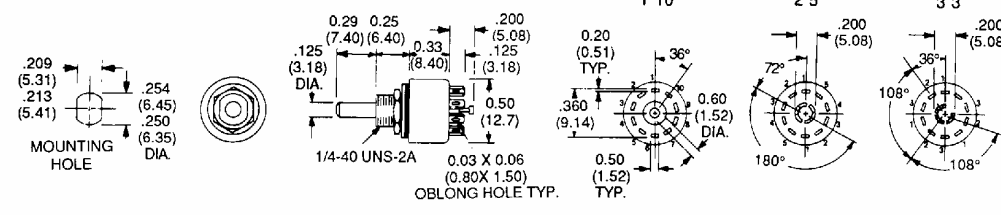
MODEL	NO. POLES	MAXIMUM POSITIONS	SPECIAL DETAILS
MRS110CS	1 POLE	CONTINUOUS ROTATION	NON-SHORTING
MRS110S	1 POLE	2-10 ADJUSTABLE	NON-SHORTING
MRS25S	2 POLES	2-5 ADJUSTABLE	NON-SHORTING
MRS33S	3 POLES	2-3 ADJUSTABLE	NON-SHORTING

SPLASHPROOF

36° ANGLE OF THROW



MRSE110



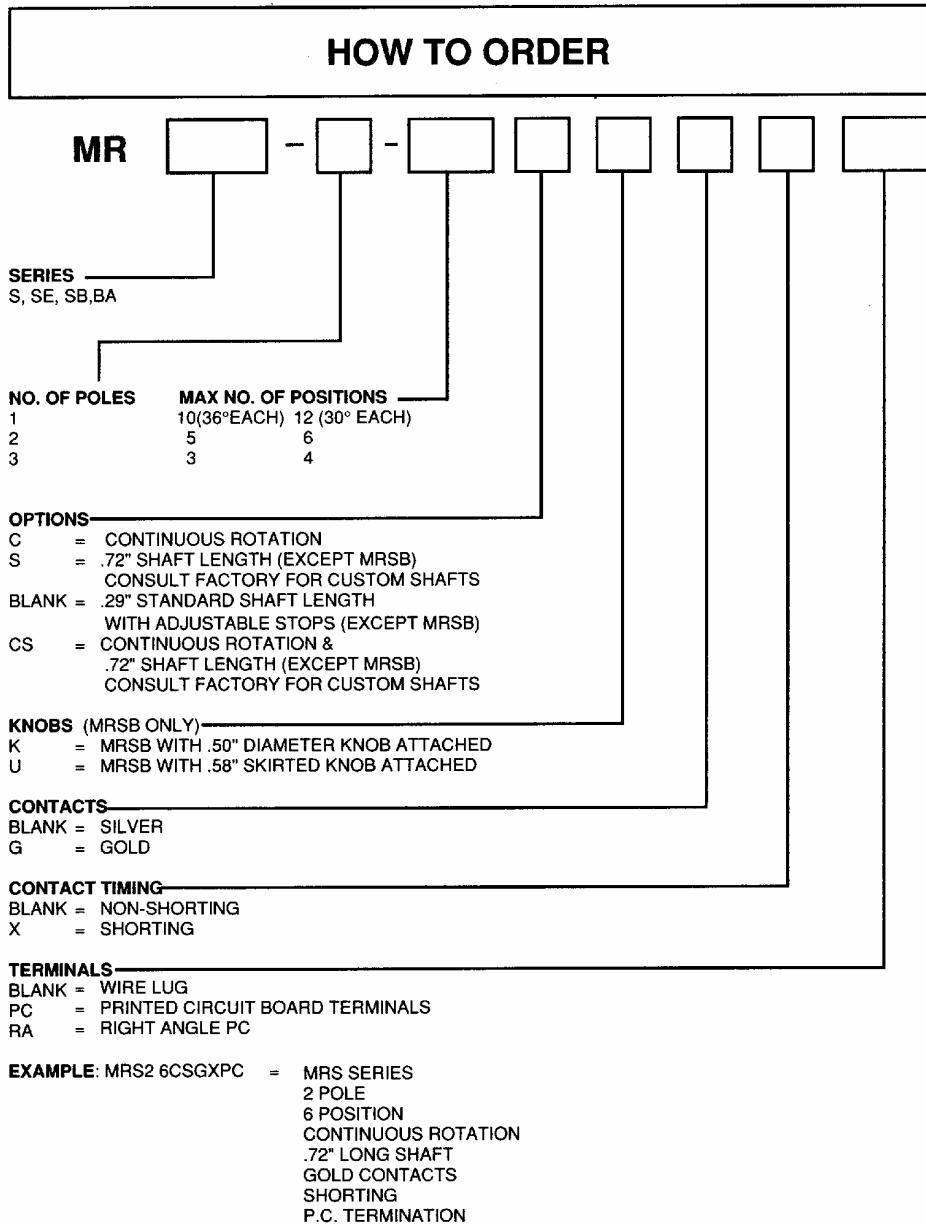
MODEL	NO. POLES	MAXIMUM POSITIONS	SPECIAL DETAILS
MRSE110	1 POLE	FIXED, 10 POSITIONS	NON-SHORTING
MRSE25	2 POLES	FIXED, 5 POSITIONS	NON-SHORTING
MRSE33	3 POLES	FIXED, 3 POSITIONS	NON-SHORTING

SPECIFICATIONS SUBJECT TO CHANGE WITHOUT NOTICE.

ROTARY SWITCHES

MRS, MRSE, MRSB and MRBA

HOW TO ORDER INFORMATION



SPECIFICATIONS SUBJECT TO CHANGE WITHOUT NOTICE