

MRS SERIES

Miniature Rotary • Gold Contacts Available

A-95-09


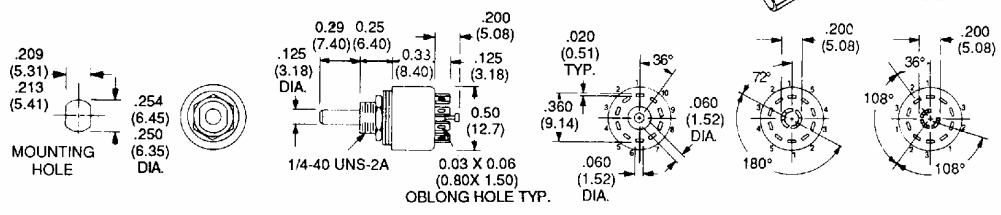
SPECIFICATIONS

Contacts: silver- silver plated Beryllium copper /gold available
Contact Rating: gold- 0.4 VA at 20 VDC max.
 silver- 150 mA at 115 VAC
Initial Contact Resistance: 20 milliohms max.
Contact Timing: non-shorting standard/shorting available
Insulation Resistance: 10,000 megohms min.
Dielectric Strength: 600 volts RMS at sea level
Life Expectancy: 25,000 operations
Operating Temperature: -20°C to +80°C (-4°F to +176°F)
Storage Temperature: -20°C to +100°C (-4°F to +212°F)

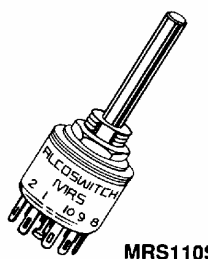
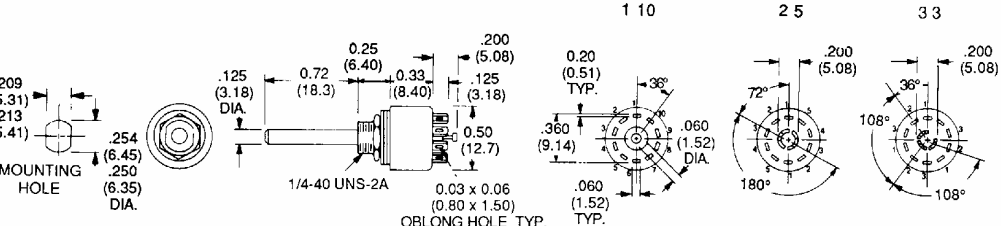
Case Material: zinc die cast
Actuator Material: stainless steel
Rotation Torque: 15 inch - ounce average
Plunger/Actuator Travel: 36°
Terminal Seal: insert molded
Process Seal: MRSE only
Terminals/Fixed Contacts: silver plated brass/gold available
High Torque Bushing Shoulder: N/A
Solder Heat Resistance: manual- 270°C for 3 seconds
 Note: Refer to page M36 for additional options.

NOTICE: Intermediate stop positions are easily made by properly orienting external stop ring.

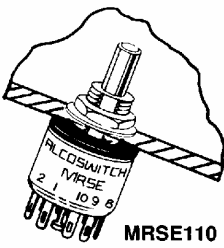
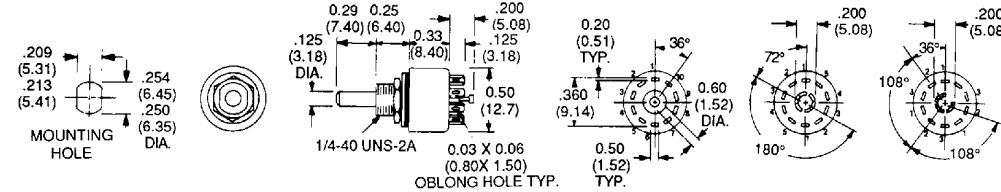
36° ANGLE OF THROW

 MRS110				
	MODEL	NO. POLES	MAXIMUM POSITIONS	SPECIAL DETAILS
	MRS110C	1 POLE	CONTINUOUS ROTATION	NON-SHORTING
	MRS110	1 POLE	2-10 ADJUSTABLE	NON-SHORTING
	MRS25	2 POLES	2-5 ADJUSTABLE	NON-SHORTING
	MRS33	3 POLES	2-3 ADJUSTABLE	NON-SHORTING

36° ANGLE OF THROW

 MRS110S				
	MODEL	NO. POLES	MAXIMUM POSITIONS	SPECIAL DETAILS
	MRS110CS	1 POLE	CONTINUOUS ROTATION	NON-SHORTING
	MRS110S	1 POLE	2-10 ADJUSTABLE	NON-SHORTING
	MRS25S	2 POLES	2-5 ADJUSTABLE	NON-SHORTING
	MRS33S	3 POLES	2-3 ADJUSTABLE	NON-SHORTING

SPLASHPROOF 36° ANGLE OF THROW

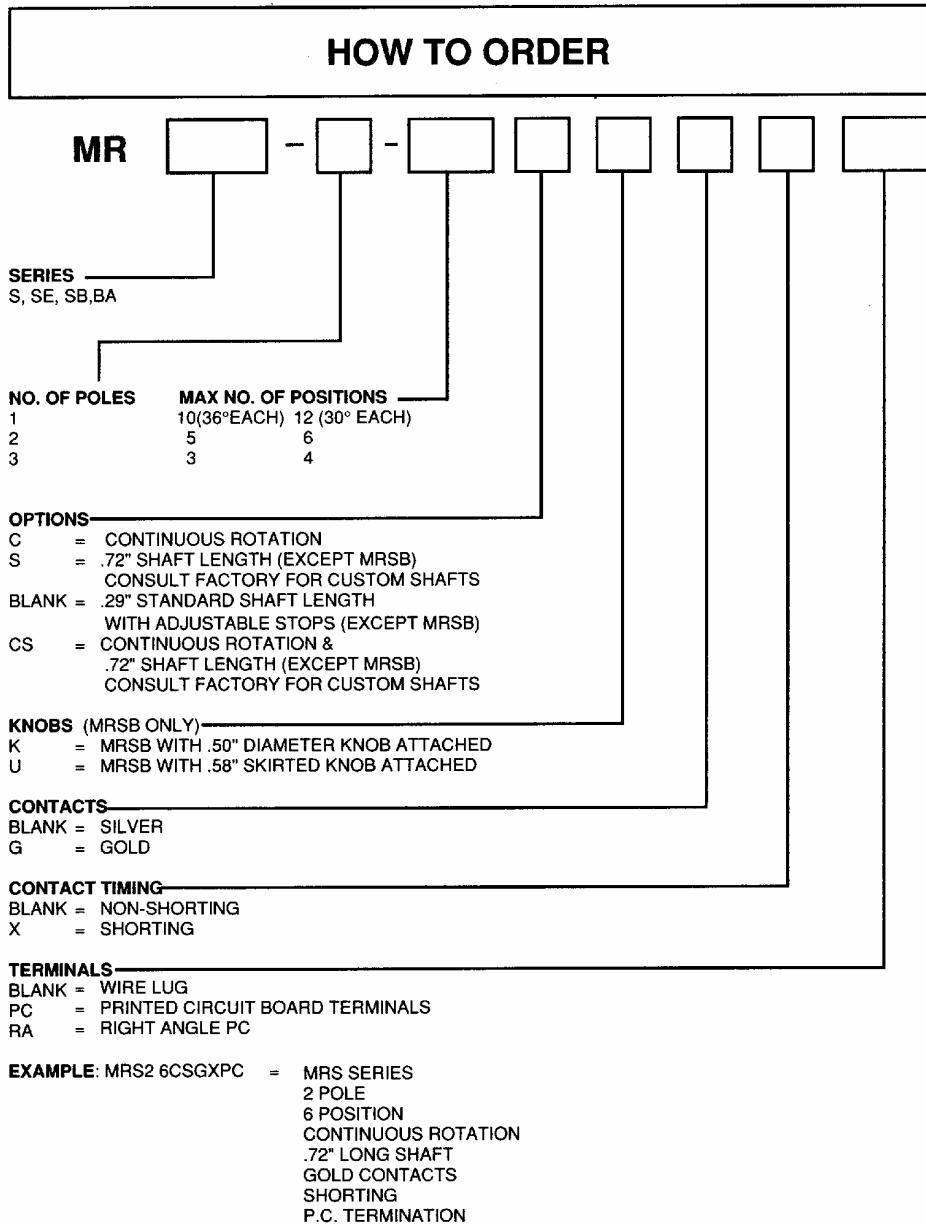
 MRSE110				
	MODEL	NO. POLES	MAXIMUM POSITIONS	SPECIAL DETAILS
	MRSE110	1 POLE	FIXED, 10 POSITIONS	NON-SHORTING
	MRSE25	2 POLES	FIXED, 5 POSITIONS	NON-SHORTING
	MRSE33	3 POLES	FIXED, 3 POSITIONS	NON-SHORTING

SPECIFICATIONS SUBJECT TO CHANGE WITHOUT NOTICE.

ROTARY SWITCHES

MRS, MRSE, MRSB and MRBA

HOW TO ORDER INFORMATION



SPECIFICATIONS SUBJECT TO CHANGE WITHOUT NOTICE



Alcoswitch®

1551 Osgood Street

N. Andover, MA 01845 USA

Tel: (508)685-4371

FAX: (508)686-9545

TLX: 27542