

PLEASE CHECK WWW.MOLEX.COM FOR LATEST PART INFORMATION

Part Number: [0424920319](#)
Status: **Active**
Description: 3.96mm (.156") Pitch KK® Solid Header, Right Angle, Friction Lock, with Press-fit Plastic Peg PCB Lock, 2 Circuits, 0.38µm (15µ") Gold (Au) Selective Plating

Documents:

3D Model	Product Specification PS-08-50 (PDF)
Packaging Specification (PDF)	RoHS Certificate of Compliance (PDF)
Drawing (PDF)	

Agency Certification

CSA	LR19980
UL	E29179

General

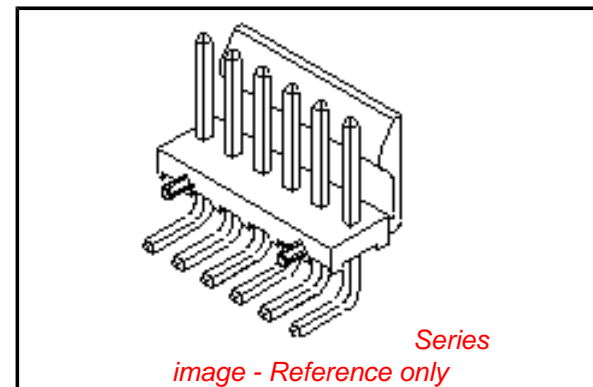
Product Family	PCB Headers
Series	42492
Application	Wire-to-Board
Product Name	KK®

Physical

Breakaway	No
Circuits (Loaded)	2
Circuits (maximum)	2
Durability (mating cycles max)	100
Flammability	94V-0
Glow-Wire Compliant	No
Lock to Mating Part	Yes
Material - Metal	Brass
Material - Plating Mating	Gold
Material - Plating Termination	Tin
Number of Rows	1
Orientation	Right Angle
PC Tail Length (in)	0.156 In
PC Tail Length (mm)	3.96 mm
PCB Locator	Yes
PCB Retention	Yes
PCB Thickness Recommended (in)	0.062 In
PCB Thickness Recommended (mm)	1.60 mm
Packaging Type	Bag
Pitch - Mating Interface (in)	0.156 In
Pitch - Mating Interface (mm)	3.96 mm
Plating min: Mating (µin)	15
Plating min: Mating (µm)	0.38
Plating min: Termination (µin)	100
Plating min: Termination (µm)	2.5
Polarized to Mating Part	Yes
Polarized to PCB	Yes
Shrouded	Partial
Stackable	Yes
Temperature Range - Operating	0°C to +75°C
Termination Interface: Style	Through Hole

Electrical

Current - Maximum per Contact	7A
Voltage - Maximum	250V



EU RoHS

ELV and RoHS Compliant
REACH SVHC Contains SVHC: No
Halogen-Free Status

China RoHS



Need more information on product environmental compliance?

Email productcompliance@molex.com
 For a multiple part number RoHS Certificate of Compliance, [click here](#)

Please visit the [Contact Us](#) section for any non-product compliance questions.

Search Parts in this Series

[42492Series](#)

Mates With

[3069](#) , [2139](#) , [2145](#) , [6442](#) , [7674](#) , [7675](#) , [41695](#) , L ink:41815

Solder Process Data

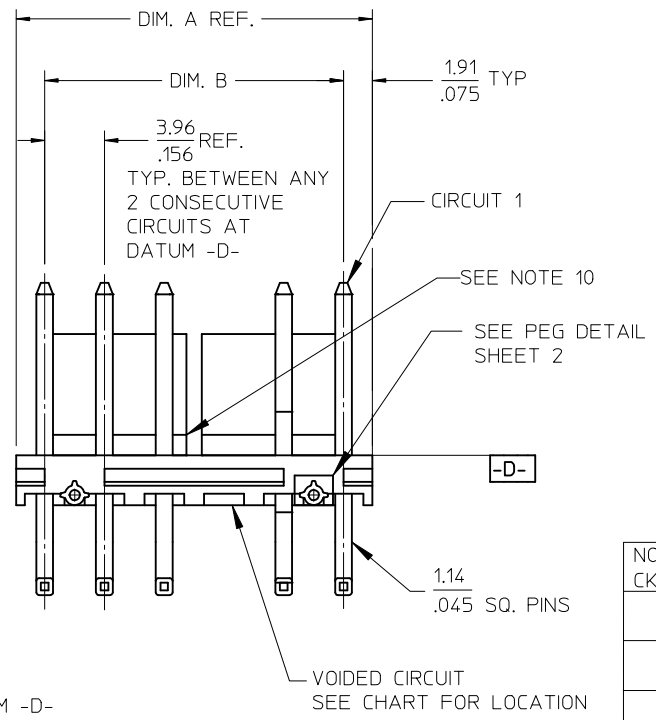
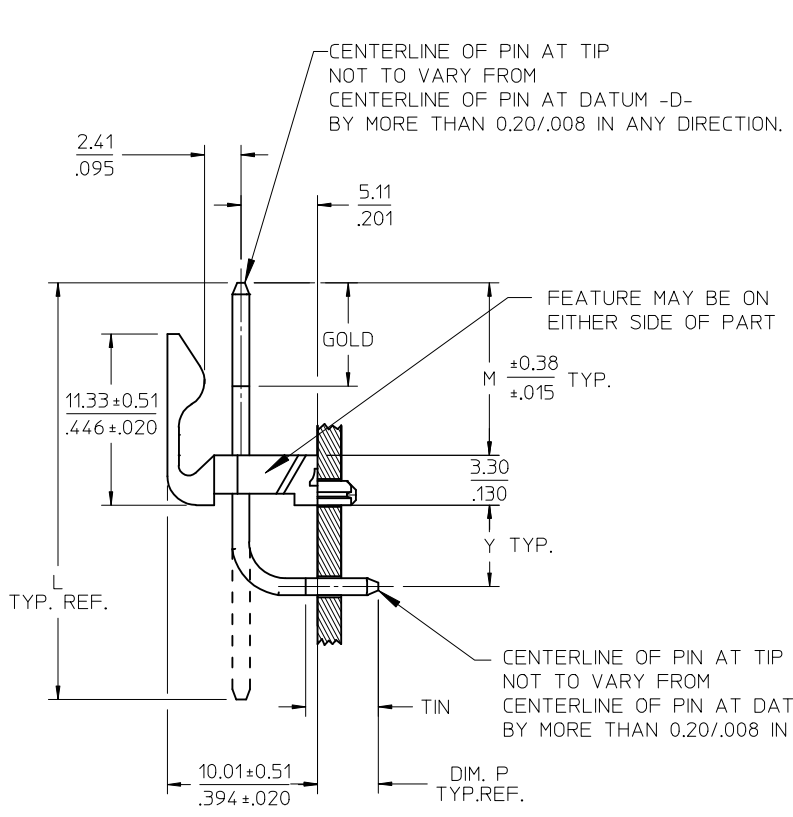
Duration at Max. Process Temperature (seconds)	5
Lead-free Process Capability	Wave Capable (TH only)
Max. Cycles at Max. Process Temperature	1
Process Temperature max. C	235

Material Info**Reference - Drawing Numbers**

Product Specification	PS-08-50
Sales Drawing	SD-42492-001

This document was generated on 04/19/2010

PLEASE CHECK WWW.MOLEX.COM FOR LATEST PART INFORMATION



NO. OF CKTS.	DIM. A	DIM. B	SLOT LOC BETWEEN CKTS
2	7.77 .306	3.96±0.05 .156±.002	NONE
3	11.73 .462	7.92±0.08 .312±.003	NONE
4	15.70 .618	11.89±0.08 .468±.003	NONE
5	19.66 .774	15.85±0.10 .624±.004	NONE
6	23.62 .930	19.81±0.10 .780±.004	3 & 4
7	27.58 1.086	23.77±0.10 .936±.004	4 & 5
8	31.55 1.242	27.74±0.13 1.092±.005	4 & 5
9	35.51 1.398	31.70±0.13 1.248±.005	5 & 6
10	39.47 1.554	35.66±0.13 1.404±.005	5 & 6
11	43.43 1.710	39.62±0.15 1.560±.006	6 & 7
12	47.40 1.866	43.59±0.15 1.716±.006	4 & 5 8 & 9

GEN.DOCS.	3-*	F6
ANNNOTATOR	1, 2	F7
SOFTWARE	SHEET	REV

ADD SLOT
 EC NO: UCP2009-2603
 DRWN:MKIPPER 2009/05/04
 CHKD:SSOUSEK 2009/05/04
 APPR:FSMITH 2009/05/04
F7

QUALITY SYMBOLS
 ▽=0
 ◻=0

GENERAL TOLERANCES (UNLESS SPECIFIED)

	mm	INCH
4 PLACES	± ---	± ---
3 PLACES	± ---	± .010
2 PLACES	± 0.25	± .015
1 PLACE	± 0.38	± ---

ANGULAR ±1/2°

DRAFT WHERE APPLICABLE MUST REMAIN WITHIN DIMENSIONS

DIMENSION STYLE
MM/IN

DRAWN BY: JSCHAFFER
 DATE: 11-25-03

CHECKED BY: SAMIEC
 DATE: 11-26-03

APPROVED BY: MARGULIS
 DATE: 12-1-03

MATERIAL NO. SEE CHART

SIZE A

SCALE: 2:1
 DESIGN UNITS: INCH

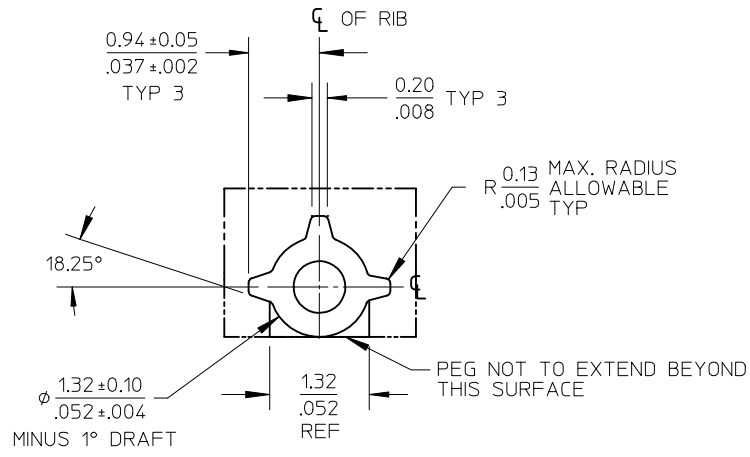
THIRD ANGLE PROJECTION

TITLE: **KK .156 HEADER ASSEMBLY FRICTION LOCK RT ANGLE WITH PEGS**

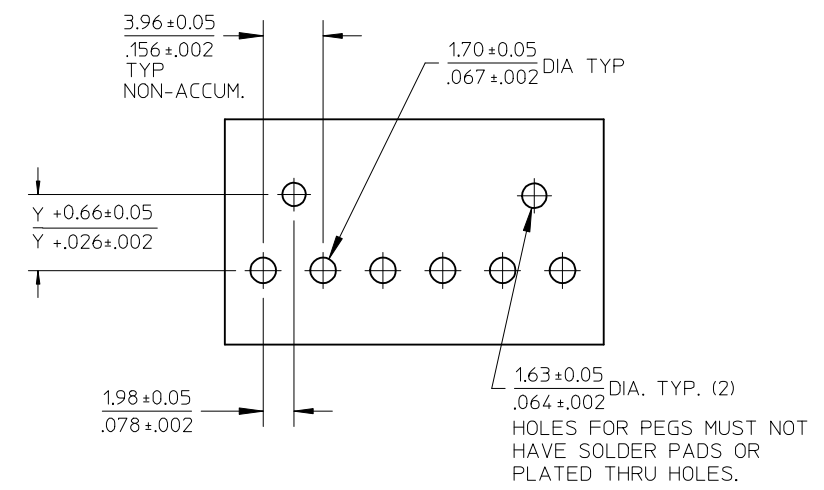
MOLEX INCORPORATED

DOCUMENT NO. SD-42492-001
 SHEET NO. 1 OF 7

THIS DRAWING CONTAINS INFORMATION THAT IS PROPRIETARY TO MOLEX INCORPORATED AND SHOULD NOT BE USED WITHOUT WRITTEN PERMISSION



PEG DETAIL
SCALE 10:1



RECOMMENDED PC BOARD HOLE LAYOUT

NOTES:

- MATERIAL: HEADER-POLYESTER, 94V-0, MOLDED NATURAL (WHITE)
PINS: BRASS
- FINISHES: (102) OVERALL TIN 0.00508/.000200 MIN OVER 0.00254/.000100 MIN. COPPER.
(154) OVERALL TIN 0.00254/.000100 MIN. OVER 0.00127/.000050 MIN. NICKEL.
(208) SELECT GOLD 0.00038/.000015 MIN.
SELECT TIN 0.00254/.000100 MIN.
OVERALL NICKEL UNDERPLATE 0.00127/.000050 MIN.
(228) SELECT GOLD 0.00076/.000030 MIN.
SELECT TIN 0.00254/.000100 MIN.
OVERALL NICKEL UNDERPLATE 0.00127/.000050 MIN.
(501) OVERALL GOLD 0.00051/.000020 MIN.
OVERALL NICKEL UNDERPLATE 0.00076/.000030 MIN.
- PRODUCT SPECIFICATION: SEE PS-08-50.
- PACKAGING INFO: SEE TABLES.
- SOLDERABILITY: PER SMES-152.
- PIN PUSH OUT FORCE: PRIOR TO SOLDERING, A 3 LB MINIMUM FORCE (IN EITHER DIRECTION) SHALL BE REQUIRED TO PUSH THE PIN OUT OF THE HEADER.
- PARTS ARE STACKABLE END TO END ON 3.96/.156 CENTERS.
- FOR PART WITHOUT PEGS SEE 41792.
- THIS PART CONFORMS TO CLASS B REQUIREMENTS OF COSMETIC SPECIFICATION PS-45499-002.
- SLOTS ON BACKWALL ARE BETWEEN CIRCUITS. SEE CHART FOR LOCATION.

SEE SHEET 1 EC NO: UCP2009-2603 DRWN:MKIPPER 2009/05/04 CHKD:SSOUSEK 2009/05/04 APPR:FSWTH 2009/05/04	DESCRIPTION F7	REV	QUALITY SYMBOLS ▽=0 ▽=0	GENERAL TOLERANCES (UNLESS SPECIFIED)		DIMENSION STYLE		SCALE	DESIGN UNITS	THIRD ANGLE PROJECTION
				mm	INCH	MM/IN	1:1	INCH		
				4 PLACES ± ---	± ---	DRAWN BY JSCHAFFER	DATE 11-25-03	TITLE		
				3 PLACES ± ---	± .010	CHECKED BY SAMIEC	DATE 11-26-03	KK .156 HEADER ASSEMBLY FRICTION LOCK RT ANGLE WITH PEGS		
2 PLACES ± 0.25	± .015	APPROVED BY MARGULIS	DATE 12-1-03	MOLEX	MOLEX INCORPORATED		DOCUMENT NO.	SHEET NO.		
1 PLACE ± 0.38	± ---	ANGULAR ± 1/2°		MATERIAL NO.	SEE CHART		SD-42492-001	2 OF 7		
DRAFT WHERE APPLICABLE MUST REMAIN WITHIN DIMENSIONS				SIZE	THIS DRAWING CONTAINS INFORMATION THAT IS PROPRIETARY TO MOLEX INCORPORATED AND SHOULD NOT BE USED WITHOUT WRITTEN PERMISSION					

OPTIONS	Group	A-42492-0002/0018	Group	A-42492-0319/0335	Group	A-42492-0336/0352	Group	
	Header No:	41790-0036/0052	Header No:	41790-0036/0052	Header No:	41790-0036/0052	Header No:	
	Pin No:	2161-37(102)	Pin No:	43294-0569	Pin No:	43294-0570	Pin No:	
	Plating:	102 – TIN	Plating:	208 – 15 GOLD	Plating:	228 – 30 GOLD	Plating:	
	Pin Length L	27.94/1.100	Pin Length L	27.94/1.100	Pin Length L	27.94/1.100	Pin Length L	
	Mating M	11.43 / .450	Mating M	11.43/ .450	Mating M	11.43/ .450	Mating M	
	Gold Loc G	N/A	Gold Loc G	6.86/ .270	Gold Loc G	6.86/ .270	Gold Loc G	
	Dim. Y	5.41/ .213	Dim. Y	5.41/ .213	Dim. Y	5.41/ .213	Dim. Y	
	PC Tail P	3.96 / .156	PC Tail P	3.96/ .156	PC Tail P	3.96/ .156	PC Tail P	
	Tin Loc T	OVERALL	Tin Loc T	5.08 / .200	Tin Loc T	5.08 / .200	Tin Loc T	
Voided Ckts	NONE	Voided Ckts	NONE	Voided Ckts	NONE	Voided Ckts		
Pack Per	PK-42492-002	Pack Per	PK-42492-002	Pack Per	PK-42492-002	Pack Per		
Ckts	Material No	Engineer Number	Material No	Engineer Number	Material No	Engineer Number	Material No	Engineer Number
2	26-64-5020	A-42492-0002	42492-0319	A-42492-0319	42492-0336	A-42492-0336		
3	26-64-5030	A-42492-0003	42492-0320	A-42492-0320	42492-0337	A-42492-0337		
4	26-64-5040	A-42492-0004	42492-0321	A-42492-0321	42492-0338	A-42492-0338		
5	26-64-5050	A-42492-0005	42492-0322	A-42492-0322	42492-0339	A-42492-0339		
6	26-64-5060	A-42492-0006	42492-0323	A-42492-0323	42492-0340	A-42492-0340		
7	26-64-5070	A-42492-0007	42492-0324	A-42492-0324	42492-0341	A-42492-0341		
8	26-64-5080	A-42492-0008	42492-0325	A-42492-0325	42492-0342	A-42492-0342		
9	26-64-5090	A-42492-0009	42492-0326	A-42492-0326	42492-0343	A-42492-0343		
10	26-64-5100	A-42492-0010	42492-0327	A-42492-0327	42492-0344	A-42492-0344		
11	26-64-5110	A-42492-0011	42492-0328	A-42492-0328	42492-0345	A-42492-0345		
12	26-64-5120	A-42492-0012	42492-0329	A-42492-0329	42492-0346	A-42492-0346		
13								
14								
15								
16								
17								
18								

REV: F6	ECR/ECN INFORMATION: EC No.: UCP2009-2116 DATE: 2/26/2009	TITLE: KK 156 HEADER ASSEMBLY FRICTION LOCK RT ANGLE WITH PEGS	SHEET No. - 3 -
DOCUMENT NUMBER: SD- 42492-001	CREATED / REVISED BY: MKIPPER	CHECKED BY: SSOUSEK	APPROVED BY: FSMITH

OPTIONS	Group	A-42492-0036/0050	Group	A-42492-0244/0256	Group	A-42492-0258/0273	Group	A-42492-0274/0288
	Header No:	41790-0038/0052	Header No:	41790-0040/0052	Header No:	41790-0037/0052	Header No:	41790-0038/0052
	Pin No:	2161-37(102)	Pin No:	2161-37(102)	Pin No:	2161-37(102)	Pin No:	2161-37(501)
	Plating:	102 – TIN	Plating:	102 – TIN	Plating:	102 – TIN	Plating:	501 - GOLD
	Pin Length L	27.94/1.100	Pin Length L	27.94/1.100	Pin Length L	27.94/1.100	Pin Length L	27.94/1.100
	Mating M	11.43 / .450	Mating M	11.43/. 450	Mating M	11.43/. 450	Mating M	11.43/. 450
	Gold Loc G	N/A	Gold Loc G	N/A	Gold Loc G	N/A	Gold Loc G	OVERALL
	Dim. Y	5.41/ .213	Dim. Y	5.41/ .213	Dim. Y	5.41/ .213	Dim. Y	5.41/ .213
	PC Tail P	3.96 / .156	PC Tail P	3.96/ . 156	PC Tail P	3.96/. 156	PC Tail P	3.96/. 156
	Tin Loc T	OVERALL	Tin Loc T	OVERALL	Tin Loc T	OVERALL	Tin Loc T	N/A
Voided Ckts	4	Voided Ckts	6	Voided CKts	2	Voided Ckts	4	
Pack Per	PK-42492-002	Pack Per	PK-42492-002	Pack Per	PK-42492-002	Pack Per	PK-42492-002	
Ckts	Material No	Engineer Number	Material No	Engineer Number	Material No	Engineer Number	Material No	Engineer Number
2								
3								
4	26-64-5042	A-42492-0036						
5	26-64-5052	A-42492-0037			26-66-0031	A-42492-0258	424-92-0274	A-42492-0274
6	26-64-5062	A-42492-0038	26-64-5061	A-42492-0244	26-66-0041	A-42492-0259	424-92-0275	A-42492-0275
7	26-64-5072	A-42492-0039	26-64-5071	A-42492-0245	26-66-0051	A-42492-0260	424-92-0276	A-42492-0276
8	26-64-5082	A-42492-0040	26-64-5081	A-42492-0246	26-66-0061	A-42492-0261	424-92-0277	A-42492-0277
9	26-64-5092	A-42492-0041	26-64-5091	A-42492-0247	26-66-0071	A-42492-0262	424-92-0278	A-42492-0278
10	26-64-5102	A-42492-0042	26-64-5101	A-42492-0248	26-66-0081	A-42492-0263	424-92-0279	A-42492-0279
11	26-64-5112	A-42492-0043	26-64-5111	A-42492-0249	26-66-0091	A-42492-0264	424-92-0280	A-42492-0280
12	26-64-5122	A-42492-0044	26-64-5121	A-42492-0250	26-66-0101	A-42492-0265	424-92-0281	A-42492-0281
13					26-66-0111	A-42492-0266	424-92-0282	A-42492-0282
14					26-66-0121	A-42492-0267		
15								
16								
17								
18								

REV: F6	ECR/ECN INFORMATION: EC No.: UCP2009-2116 DATE: 2/26/2009	TITLE: KK 156 HEADER ASSEMBLY FRICTION LOCK RT ANGLE WITH PEGS	SHEET No. - 4 -
DOCUMENT NUMBER: SD- 42492-001	CREATED / REVISED BY: MKIPPER	CHECKED BY: SSOUSEK	APPROVED BY: FSMITH

OPTIONS	Group	A-42492-0289/0302	Group	A-42492-0303/0318	Group	A-42492-0019/0035	Group	A-42492-0400/0416
	Header No:	41790-0039/0052	Header No:	41790-0037/0052	Header No:	41790-0036/0052	Header No:	41790-0036/0052
	Pin No:	2161-37(102)	Pin No:	2161-37(102)	Pin No:	2161-37(501)	Pin No:	2161-19(102)
	Plating:	102 – TIN	Plating:	102 – TIN	Plating:	501 - GOLD	Plating:	102 - TIN
	Pin Length L	27.94/1.100	Pin Length L	27.94/1.100	Pin Length L	27.94/1.100	Pin Length L	26.21/ 1.032
	Mating M	11.43 / .450	Mating M	11.43/ .450	Mating M	11.43/ .450	Mating M	11.43/ .450
	Gold Loc G	N/A	Gold Loc G	6.86/ .270	Gold Loc G	OVERALL	Gold Loc G	N/A
	Dim. Y	5.41/ .213	Dim. Y	5.41/ .213	Dim. Y	5.41/ .213	Dim. Y	5.41/ .213
	PC Tail P	3.96 / .156	PC Tail P	3.96/ .156	PC Tail P	3.96/ .156	PC Tail P	2.23/ .088
	Tin Loc T	OVERALL	Tin Loc T	OVERALL	Tin Loc T	N/A	Tin Loc T	OVERALL
Voided Ckts	5	Voided Ckts	3	Voided CKts	NONE	Voided Ckts	NONE	
Pack Per	PK-42492-002	Pack Per	PK-42492-002	Pack Per	PK-42492-002	Pack Per	PK-42492-002	
Ckts	Material No	Engineer Number	Material No	Engineer Number	Material No	Engineer Number	Material No	Engineer Number
2					26-65-5020	A-42492-0019	42492-0400	A-42492-0400
3			424-92-0303	A-42492-0303	26-65-5030	A-42492-0020	42492-0401	A-42492-0401
4			424-92-0304	A-42492-0304	26-65-5040	A-42492-0021	42492-0402	A-42492-0402
5	424-92-0289	A-42492-0289	424-92-0305	A-42492-0305	26-65-5050	A-42492-0022	42492-0403	A-42492-0403
6	424-92-0290	A-42492-0290	424-92-0306	A-42492-0306	26-65-5060	A-42492-0023	42492-0404	A-42492-0404
7	424-92-0291	A-42492-0291	424-92-0307	A-42492-0307	26-65-5070	A-42492-0024	42492-0405	A-42492-0405
8	424-92-0292	A-42492-0292	424-92-0308	A-42492-0308	26-65-5080	A-42492-0025	42492-0406	A-42492-0406
9	424-92-0293	A-42492-0293	424-92-0309	A-42492-0309	26-65-5090	A-42492-0026	42492-0407	A-42492-0407
10	424-92-0294	A-42492-0294	424-92-0310	A-42492-0310	26-65-5100	A-42492-0027	42492-0408	A-42492-0408
11	424-92-0295	A-42492-0295	424-92-0311	A-42492-0311	26-65-5110	A-42492-0028	42492-0409	A-42492-0409
12	424-92-0296	A-42492-0296	424-92-0312	A-42492-0312	26-65-5120	A-42492-0029	42492-0410	A-42492-0410
13								
14								
15								
16								
17								
18								

REV:	<u>ECR/ECN INFORMATION:</u>	<u>TITLE:</u>	<u>SHEET No.</u>
F6	EC No.: UCP2009-2116	KK 156 HEADER ASSEMBLY FRICTION LOCK RT ANGLE WITH PEGS	- 5 -
	DATE: 2/26/2009		
<u>DOCUMENT NUMBER:</u>	<u>CREATED / REVISED BY:</u>	<u>CHECKED BY:</u>	<u>APPROVED BY:</u>
SD- 42492-001	MKIPPER	SSOUSEK	FSMITH

OPTIONS	Group	A-42492-0417/0431	Group	A-42492-0432/0443	Group	A-42492-0444/0456	Group	A-42492-0461/0473
	Header No:	41790-0036/0052	Header No:	41790-0041/0052	Header No:	41790-0040/0052	Header No:	41790-0040/0052
	Pin No:	2161-37(102)	Pin No:	2161-37(102)	Pin No:	2161-37(102)	Pin No:	2161-37(102)
	Plating:	102 – TIN	Plating:	102 – TIN	Plating:	102 – TIN	Plating:	102 – TIN
	Pin Length L	27.94/1.100	Pin Length L	27.94/1.100	Pin Length L	27.94/1.100	Pin Length L	27.94/1.100
	Mating M	11.43 / .450	Mating M	11.43/. 450	Mating M	11.43/. 450	Mating M	11.43/. 450
	Gold Loc G	N/A	Gold Loc G	N/A	Gold Loc G	N/A	Gold Loc G	N/A
	Dim. Y	5.41/ .213	Dim. Y	5.41/ .213	Dim. Y	5.41/ .213	Dim. Y	5.41/ .213
	PC Tail P	3.96 / .156	PC Tail P	3.96/ . 156	PC Tail P	3.96/. 156	PC Tail P	3.96/. 156
	Tin Loc T	OVERALL	Tin Loc T	OVERALL	Tin Loc T	OVERALL	Tin Loc T	OVERALL
Voided Ckts	2, 4	Voided Ckts	1,4,5,6,7	Voided CKts	3, 6	Voided Ckts	4, 6	
Pack Per	PK-42492-002	Pack Per	PK-42492-002	Pack Per	PK-42492-002	Pack Per	PK-42492-002	
Ckts	Material No	Engineer Number	Material No	Engineer Number	Material No	Engineer Number	Material No	Engineer Number
2								
3								
4	42492-0417	A-42492-0417						
5	42492-0418	A-42492-0418						
6	42492-0419	A-42492-0419			42492-0444	A-42492-0444		
7	42492-0420	A-42492-0420	42492-0432	A-42492-0432	42492-0445	A-42492-0445	42492-0462	A-42492-0462
8	42492-0421	A-42492-0421	42492-0433	A-42492-0433	42492-0446	A-42492-0446		
9	42492-0422	A-42492-0422	42492-0434	A-42492-0434	42492-0447	A-42492-0447		
10	42492-0423	A-42492-0423	42492-0435	A-42492-0435	42492-0448	A-42492-0448		
11	42492-0424	A-42492-0424	42492-0436	A-42492-0436	42492-0449	A-42492-0449		
12	42492-0425	A-42492-0425	42492-0437	A-42492-0437	42492-0450	A-42492-0450		
13								
14								
15								
16								
17								
18								

REV:	<u>ECR/ECN INFORMATION:</u>	<u>TITLE:</u>	<u>SHEET No.</u>
F6	EC No.: UCP2009-2116	KK 156 HEADER ASSEMBLY FRICTION LOCK RT ANGLE WITH PEGS	- 6 -
	DATE: 2/26/2009		
<u>DOCUMENT NUMBER:</u>	<u>CREATED / REVISED BY:</u>	<u>CHECKED BY:</u>	<u>APPROVED BY:</u>
SD- 42492-001	MKIPPER	SSOUSEK	FSMITH

OPTIONS	Group	A-42492-0474
	Header No:	41790-0040/0052
	Pin No:	2161-37(154)
	Plating:	154 – TIN
	Pin Length L	27.94/1.100
	Mating M	11.43 / .450
	Gold Loc G	N/A
	Dim. Y	5.41/ .213
	PC Tail P	3.96 / .156
	Tin Loc T	OVERALL
	Voided Ckts	2, 5, 6
Pack Per	PK-42492-002	
Ckts	Material No	Engineer Number
2		
3		
4		
5		
6		
7	42492-0474	A-42492-0474
8		
9		
10		
11		
12		
13		
14		
15		
16		
17		
18		

REV: F6	ECR/ECN INFORMATION: EC No.: UCP2009-2116 DATE: 2/26/2009	TITLE: KK 156 HEADER ASSEMBLY FRICTION LOCK RT ANGLE WITH PEGS	SHEET No. - 7 -
DOCUMENT NUMBER: SD- 42492-001	CREATED / REVISED BY: MKIPPER	CHECKED BY: SSOUSEK	APPROVED BY: FSMITH