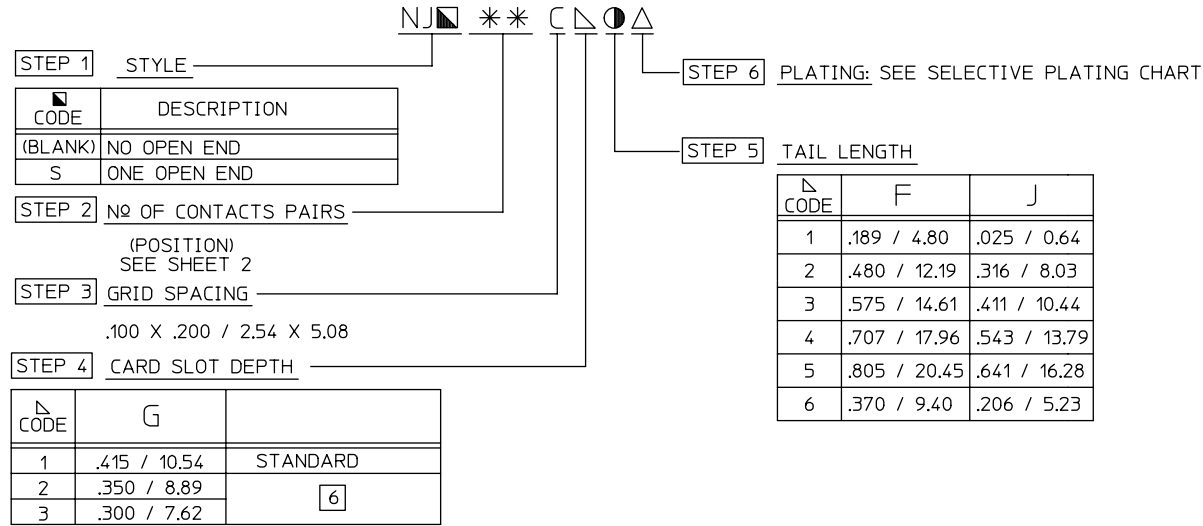


SPECIFICATIONS

REV	DESCRIPTION	BY DATE	APPD
M	REVISED PER ECR-ER1364	PSM 09/09/05	V.B.H.

NOTES:

1. CATALOG NUMBER CODE: NJ SERIES CODE ORDER CHART



MATERIALS

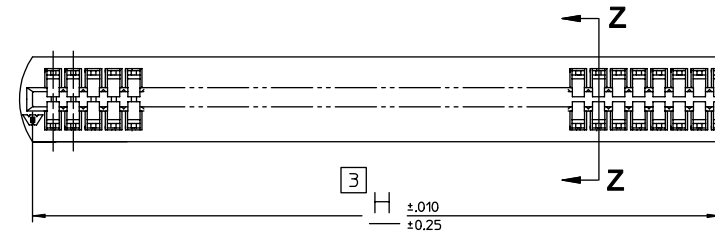
- ① Insulator ————— Thermoplastic Polyester, glass filled
Color: Natural
- ② Contacts ————— Copper Nickel Tin Alloy
- ③ Polarizing Key ————— Nylon, glass filled
Color: Black Order Under Cat No 109-101665
- ④ Contact Tip Control Strip —————

SELECTIVE PLATING CHART

Δ CODE	CONTACT AREA		C-PRESS COMPLIANT SECTION & TAIL
192	.000030 0.00076 MIN GOLD OVER	.000050 0.00127 MICROINCHES MIN NICKEL UNDERPLATE	.000050 0.00127 MIN TIN-LEAD
195	.000030 0.00076 MIN GOLD OVER	.000050 0.00127 MICROINCHES MIN NICKEL UNDERPLATE	GOLD FLASH
792	.000030 0.00076 MIN GOLD OVER	.000050 0.00127 MICROINCHES MIN NICKEL UNDERPLATE	.000020 MIN PURE TIN (RoHS) 0.00060

(CONSULT SALES FOR ADDITIONAL PLATING OPTIONS)

- ② "WIN. EL." CATALOG NO, DATE CODE, & MANUFACTURING LOCATION CODE LOCATED APPROXIMATELY AS SHOWN ON SURFACE INDICATED.
- ③ FOR CUT & BUTT ASSEMBLY, SEE DRAWING NO 27362 FOR ASSEMBLY INSTRUCTIONS INTO P.C. BOARD.
- ④ THESE DIMENSIONS APPLY AFTER PRESSED INTO P.C. BOARD.
- ⑤ THIS DIMENSION TAKEN FROM TOP OF P.C. BOARD
- ⑥ THIS DIMENSION IS FOR CARD SLOT DEPTH OPTIONS 2 & 3 ONLY. FOR BOTH ENDS OF INSULATOR.



CATALOG NO NJS34CΔ SHOWN

OPEN END DESIGN "S"
SAME AS NJ34CΔ EXCEPT AS SHOWN


PER ANSI Y14.5M-1982 UNLESS OTHERWISE SPECIFIED: DIMENSIONS ARE IN INCHES OR INCHES/MM TOLERANCES: DECIMALS: .XX ± .02/0.5 .XXX ± .007/0.18 ANGLES: ± 5° SCALE: 2:1			
CUSTOMER DRAWING		TITLE EDGE CARD, CONTINUOUS CARD COLLECTOR	
DRAWN JOE R.	DATE 01/15/85	APPROVED H.R.	DATE 10/03/85
APPROVED R.G.H.		DATE 11/10/85	
C		24512	SHT. 1 OF 3
			REV. M

June 2006 - This drawing became the property of Winchester Electronics Corporation, Wallingford, CT.

REV	DESCRIPTION	BY DATE	APPD
M	REVISED PER ECR-ER1364	CMB 09/12/06	CMB

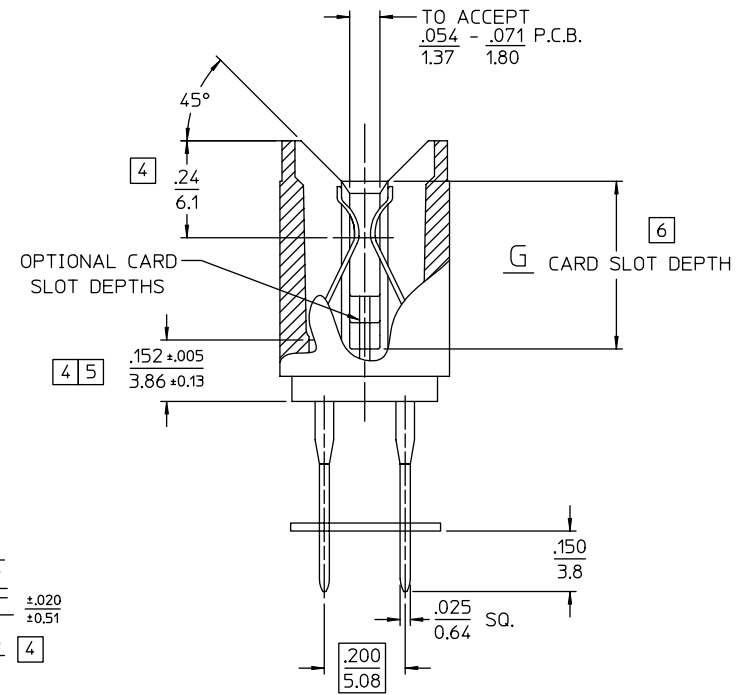
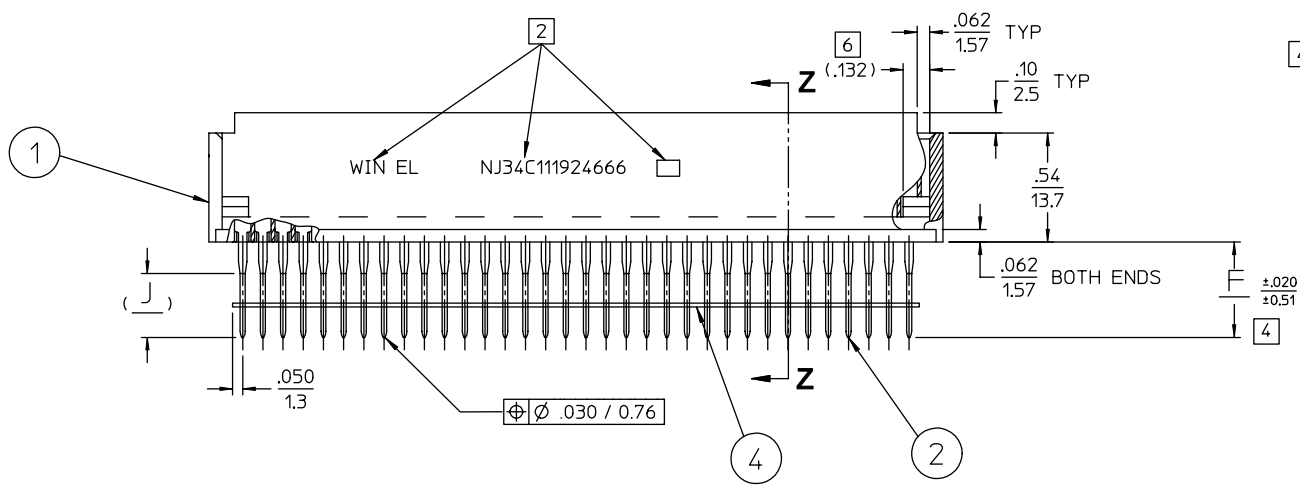
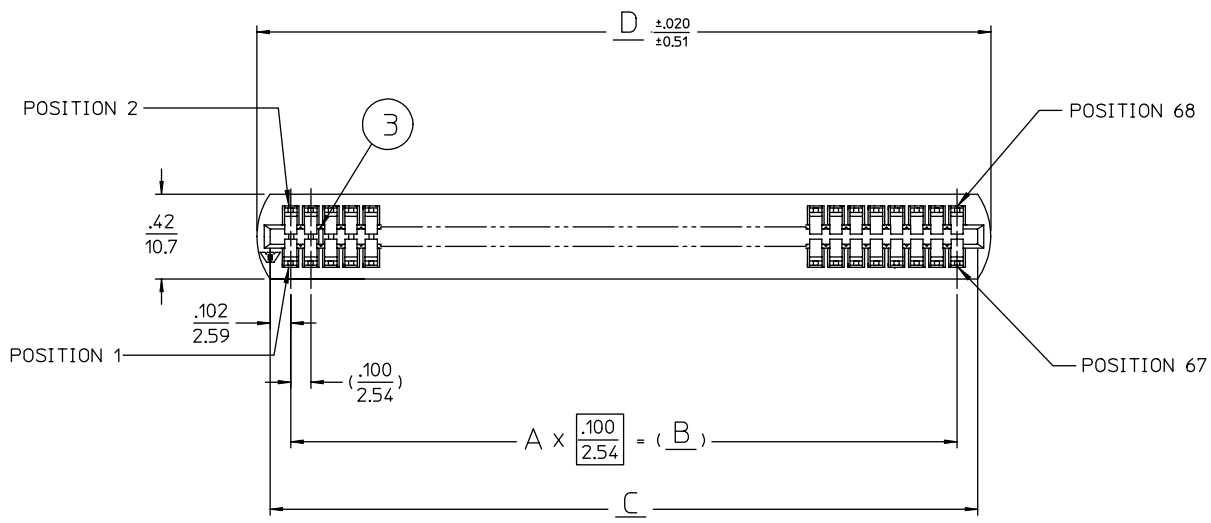
61	60	6.000 / 152.40	6.204 / 157.58	6.334 / 160.88	6.097 / 154.86
60	59	5.900 / 149.86	6.104 / 155.04	6.234 / 158.34	5.997 / 152.32
59	58	5.800 / 147.32	6.004 / 152.50	6.134 / 155.76	5.897 / 149.78
58	57	5.700 / 144.78	5.904 / 149.96	6.034 / 153.22	5.797 / 147.24
57	56	5.600 / 142.24	5.804 / 147.42	5.934 / 150.68	5.697 / 144.70
56	55	5.500 / 139.70	5.704 / 144.88	5.834 / 148.14	5.597 / 142.16
55	54	5.400 / 137.16	5.604 / 142.34	5.734 / 145.60	5.497 / 139.62
54	53	5.300 / 134.62	5.504 / 139.80	5.634 / 143.06	5.397 / 137.08
53	52	5.200 / 132.08	5.404 / 137.26	5.534 / 140.52	5.297 / 134.54
52	51	5.100 / 129.54	5.304 / 134.72	5.434 / 137.98	5.197 / 132.00
51	50	5.000 / 127.00	5.204 / 132.18	5.334 / 135.44	5.097 / 129.46
50	49	4.900 / 124.46	5.104 / 129.64	5.234 / 132.90	4.997 / 126.92
49	48	4.800 / 121.92	5.004 / 127.10	5.134 / 130.36	4.897 / 124.38
48	47	4.700 / 119.38	4.904 / 124.56	5.034 / 127.82	4.797 / 121.84
47	46	4.600 / 116.84	4.804 / 122.02	4.934 / 125.28	4.697 / 119.30
46	45	4.500 / 114.30	4.704 / 119.48	4.834 / 122.74	4.597 / 116.76
45	44	4.400 / 111.76	4.604 / 116.94	4.734 / 120.20	4.497 / 114.22
44	43	4.300 / 109.22	4.504 / 114.40	4.634 / 117.66	4.397 / 111.68
43	42	4.200 / 106.68	4.404 / 111.86	4.534 / 115.12	4.297 / 109.14
42	41	4.100 / 104.14	4.304 / 109.32	4.434 / 112.58	4.197 / 106.60
41	40	4.000 / 101.60	4.204 / 106.78	4.334 / 110.04	4.097 / 104.06
40	39	3.900 / 99.06	4.104 / 104.24	4.234 / 107.50	3.997 / 101.52
39	38	3.800 / 96.52	4.004 / 101.70	4.134 / 104.96	3.897 / 98.98
38	37	3.700 / 93.98	3.904 / 99.16	4.034 / 102.42	3.797 / 96.44
37	36	3.600 / 91.44	3.804 / 96.62	3.934 / 99.88	3.697 / 93.90
36	35	3.500 / 88.90	3.704 / 94.08	3.834 / 97.34	3.597 / 91.36
35	34	3.400 / 86.36	3.604 / 91.54	3.734 / 94.80	3.497 / 88.82
34	33	3.300 / 83.82	3.504 / 89.00	3.634 / 92.26	3.397 / 86.28
33	32	3.200 / 81.28	3.404 / 86.46	3.534 / 89.72	3.297 / 83.74
32	31	3.100 / 78.74	3.304 / 83.92	3.434 / 87.18	3.197 / 81.20
31	30	3.000 / 76.20	3.204 / 81.38	3.334 / 84.68	3.097 / 78.66
30	29	2.900 / 73.66	3.104 / 78.84	3.234 / 82.14	2.997 / 76.12
29	28	2.800 / 71.12	3.004 / 76.30	3.134 / 79.60	2.897 / 73.58
28	27	2.700 / 68.58	2.904 / 73.76	3.034 / 77.06	2.797 / 71.04
27	26	2.600 / 66.04	2.804 / 71.22	2.934 / 74.52	2.697 / 68.50
26	25	2.500 / 63.50	2.704 / 68.68	2.834 / 71.98	2.597 / 65.96
25	24	2.400 / 60.96	2.604 / 66.14	2.734 / 69.44	2.497 / 63.42
24	23	2.300 / 58.42	2.504 / 63.60	2.634 / 66.90	2.397 / 60.88
23	22	2.200 / 55.88	2.404 / 61.06	2.534 / 64.36	2.297 / 58.34
22	21	2.100 / 53.34	2.304 / 58.52	2.434 / 61.82	2.197 / 55.80
21	20	2.000 / 50.80	2.204 / 55.98	2.334 / 59.28	2.097 / 53.26
20	19	1.900 / 48.26	2.104 / 53.44	2.234 / 56.74	1.997 / 50.72
19	18	1.800 / 45.72	2.004 / 50.90	2.134 / 54.20	1.897 / 48.18
18	17	1.700 / 43.18	1.904 / 48.36	2.034 / 51.66	1.797 / 45.64
17	16	1.600 / 40.64	1.804 / 45.82	1.934 / 49.12	1.697 / 43.10
16	15	1.500 / 38.10	1.704 / 43.28	1.834 / 46.58	1.597 / 40.56
15	14	1.400 / 35.56	1.604 / 40.74	1.734 / 44.04	1.497 / 38.02
10	9	.900 / 22.86	1.104 / 28.04	1.234 / 31.34	.997 / 25.32

NO OF CONTACT PAIRS STEP 2	A	B	C	D	H

PER ANSI Y14.5M-1982 UNLESS OTHERWISE SPECIFIED: DIMENSIONS ARE IN INCHES OR INCHES/MM TOLERANCES: DECIMALS: .XX ± .02/0.5 .XXX ± .007/0.18 ANGLES: ± 5° SCALE: 2:1		 Winchester Electronics Corporation 62 Barnes Industrial Road North Wallingford, Connecticut 06492	
CUSTOMER DRAWING		TITLE EDGE CARD, CONTINUOUS CARD COLLECTOR	
DRAWN BAS	DATE 10/20/98	APPROVED WPM	DATE 10/22/98
APPROVED	DATE	APPROVED	DATE
C		24512	SHT. 2 OF
		REV.	M

June 2006 - This drawing became the property of Winchester Electronics Corporation, Wallingford, CT.

REV	DESCRIPTION	BY DATE	APPD
M	REVISED PER ECR-ER1364	CMB 09/12/06	CMB



PARTIAL SECTION Z-Z
AT STANDARD CONTACTS TYP
SCALE 4:1

CATALOG NO NJ34C111924666 SHOWN

PER ANSI Y14.5M-1982 UNLESS OTHERWISE SPECIFIED: DIMENSIONS ARE IN INCHES OR INCHES/MILLIMETER TOLERANCES: DECIMALS: .XX ± .02/0.5 .XXX ± .007/0.18 ANGLES: ± 5° SCALE: 2:1		 Winchester Electronics Corporation 62 Barnes Industrial Road North Wallingford, Connecticut 06492	
CUSTOMER DRAWING		TITLE EDGE CARD, CONTINUOUS CARD COLLECTOR	
DRAWN BAS	DATE 10/20/98	APPROVED WPM	DATE 10/22/98
APPROVED	DATE	APPROVED	DATE
C		24512	SHT. 3 OF REV. M

June 2006 - This drawing became the property of Winchester Electronics Corporation, Wallingford, CT.