



# 40V $I_o=1000\text{mA}$ Low dropout Regulator

## NJW4187 NJW4188

### ■ GENERAL DESCRIPTION

The NJW4187/88 is a 1000mA output low dropout voltage regulator.

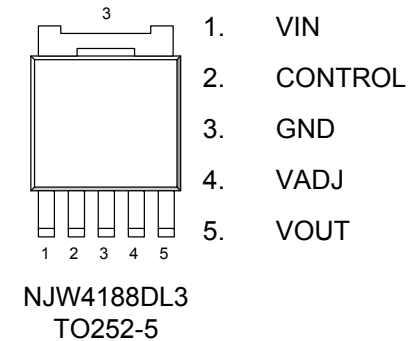
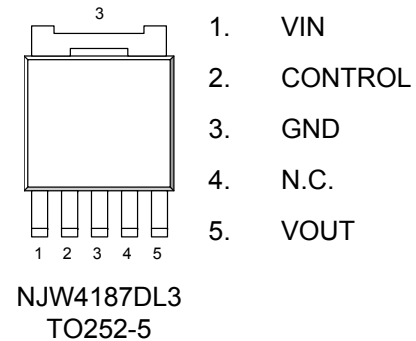
Advanced BCD technology achieves low consumption, high output current and high supply voltage.

NJW4187 is output voltage fixed type. NJW4188 is output voltage adjustable type. And it is available to low ESR capacitor. The NJW4187/88 is suitable for various applications.

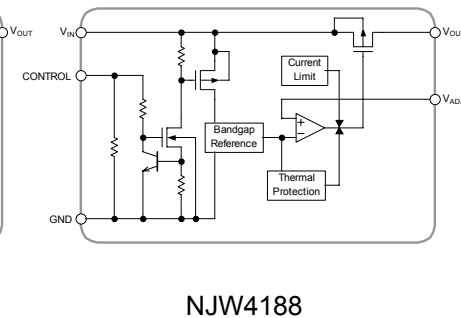
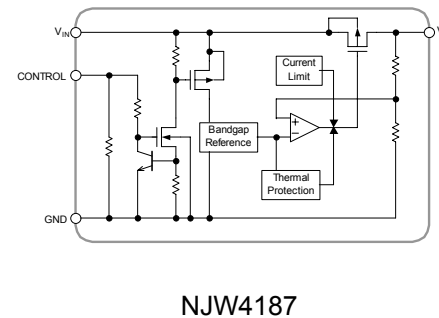
### ■ FEATURES

- Operating Voltage Range    35V max.
- Quiescent Current            55 $\mu\text{A}$  typ.
- Output Current                 $I_o(\text{min.})=1000\text{mA}$
- NJW4187: fixed voltage type  
Voltage Accuracy:                 $V_o \pm 2.0\%$
- NJW4188: adjustable voltage type  
Reference Voltage Accuracy:  $V_{\text{ref}}=1.29\text{V} \pm 2.0\%$
- Built-in Thermal Shutdown
- Over Current Protection
- Package                            TO-252-5

### ■ PACKAGE OUTLINE



### ■ BLOCK DIAGRAM



### ■ Recommended Application

For Car Accessory, A/V, OA Equip and so on

Please note that this device is still under the development and therefore the specifications are subject to change.