

DATE : 2000. 11. 17.

---

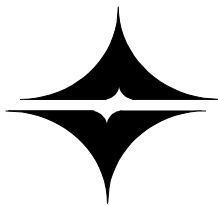
# SPECIFICATION

**PRODUCT : LED DISPLAY**

---

**MODEL : ODS - N108KM**

---



**OPTO ELECTRONICS CO., LTD.**

1066-12 YOUNJANG-RI, JINAN-UP, JINAN-GUN

JEON-BUK, KOREA.

TEL : 82-63-433-4566~8

FAX : 82-63-433-4569

<http://www.e-oec.com>

OPTO ELECTRONICS CO., LTD. (株) 元光電子	T I T L E L E D D I S P L A Y ODS-N108KM	문서 번호	OQSS-SD-231
		개정 번호	IR
		개정 일자	2000년 11월 17일
		P A G E	1 OF 1

### 1. GENERAL DESCRIPTION

The ODS-N108 series of single digits consisted seven segments are designed to be used even in bright location.

The character height is 0.8 inch (approximately 20.00mm) and a choice of four emitting colors (RED, GREEN, ORANGE, YELLOW) and two configurations (common ANODE, common CATHODE) are possible.

### 2. FEATURES

- High brightness with high contrast
- Uniform brightness and wide angle viewing
- Solid state stability and long operation life
- CATHODE common and ANODE common types available

### 3. ABSOLUTE MAXIMUM RATINGS.

(Ta=25℃)

Parameter	Symbol	Rating	Unit
Power Dissipation	P <sub>D</sub>	432	mW
Power Dissipation	P <sub>D</sub> /seg	54	mW
Forward Current	I <sub>F</sub>	20	mA
Peak Forward Current	I <sub>FP</sub>	50	mA
Reverse Voltage	V <sub>R</sub> /seg	6	V
Operating Temperature	T <sub>opr</sub>	-25 ~ +70	℃
Storage Temperature	T <sub>stg</sub>	-30 ~ +80	℃
Soldering Temperature	T <sub>sol</sub>	260℃ within 5 seconds	

### 4. ELECTRO - OPTICAL CHARACTERISTICS.

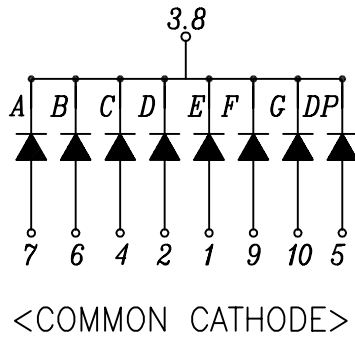
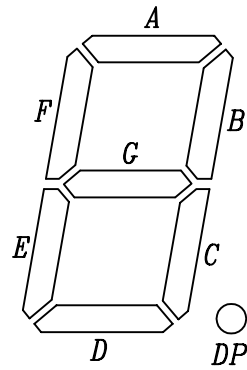
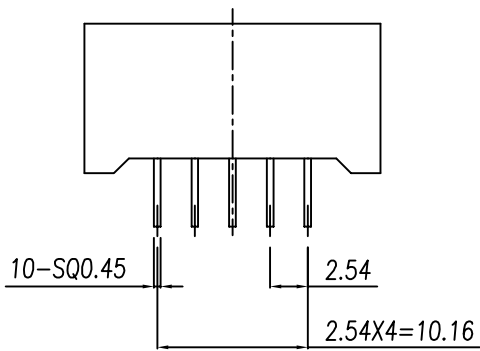
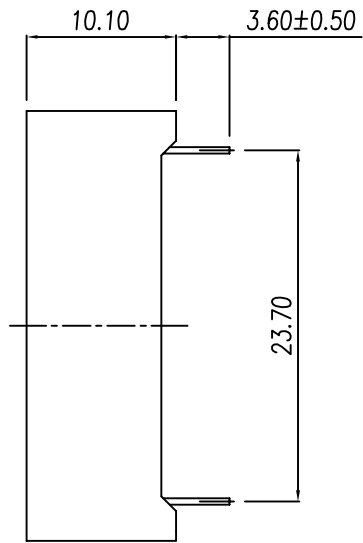
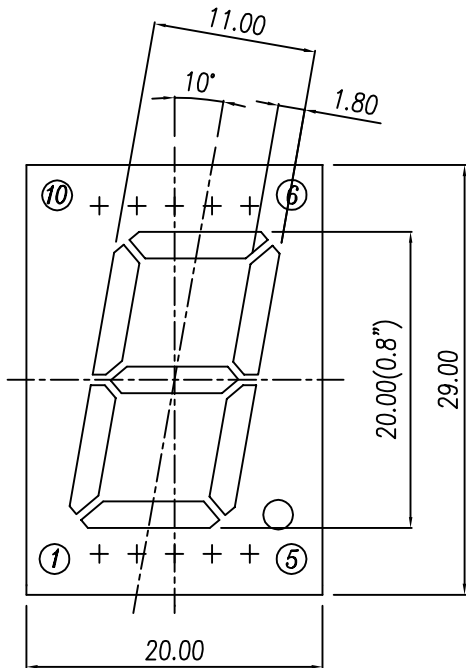
(Ta=25℃)

Parameter	Symbol	Condition	Min	Typ	Max	Unit
Forward Voltage	V <sub>F</sub>	I <sub>F</sub> =20mA	-	2.10	2.70	V
Luminous Intensity	I <sub>V</sub>	I <sub>F</sub> =20mA	100	180	-	mcd
Wavelength	Hue	I <sub>F</sub> =20mA	-	605	-	nm
Spectrum Radiation Bandwidth	Δλ	I <sub>F</sub> =20mA	-	40	-	nm
Reverse Current	I <sub>R</sub>	V <sub>R</sub> =5V	-	-	100	μA

#### NOTE

\*1. Duty Ratio=1/4

\*2. Assembled into T1<sup>3</sup>/<sub>4</sub> plastic package



DATE 2000. 11. 17.

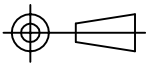
UNIT mm

SCALE N/S

MATERIAL

UNLESS OTHERWISE SPECIFIED DIMENSIONS ARE IN MILLIMETERS AND TOLERANCES ARE AS FOLLOWS:

0 - 6	±0.1
6 - 15	±0.15
15 - 60	±0.2
60 - 200	±0.3
200 - ∞	±0.5



ANGULAR TOLERANCE ±0.5°

TITLE

ODS-N108KM

DRAWN CHECKED APPROVED




OPTO ELECTRONICS CO.,LTD

D.W.G NO.

OSD01-231