

Industrial 16mm Size Slim Conductive Plastic Precision Rotary Sensor

Features

- Compact Size
- Up to 3 Million Life Cycles
- 2% Precision Linearity
- Water Resistant
- Wide Temperature Range
- Solder Lug Terminal
- RoHS Compliant



Electrical and Mechanical Specifications

Resistance Range

1 K through 500 K ohms, linear

Resistance Tolerance

± 10%, ± 20%

Power Rating

0.25 watts @ 55°C

Dielectric Strength

500 VDC for 1 minute

Maximum Operating Voltage

350 VDC

Insulation Resistance

100 Megohms minimum @ 100 VDC

Rotation Angle

Total Rotational Angle : 250°
Effective Electrical Angle : 60°, 220°

Rotational Torque

IP40 : 3~30 gf-cm
IP54 & IP67 : 20~120 gf-cm

Stop Strength

9 kgf-cm minimum

Push-Pull Strength of Shaft

13.6 kg for 10 seconds

Mounting Information

Bushing Mount

Rotational life

3M Cycles (60° Effective Electrical Angle)
2M Cycles (220° Effective Electrical Angle)

Linearity

± 2%

Temperature

Operating : -40°C - 125°C
Storage : -55°C - 150°C

Solder Heat Resistance

350°C for 5 seconds

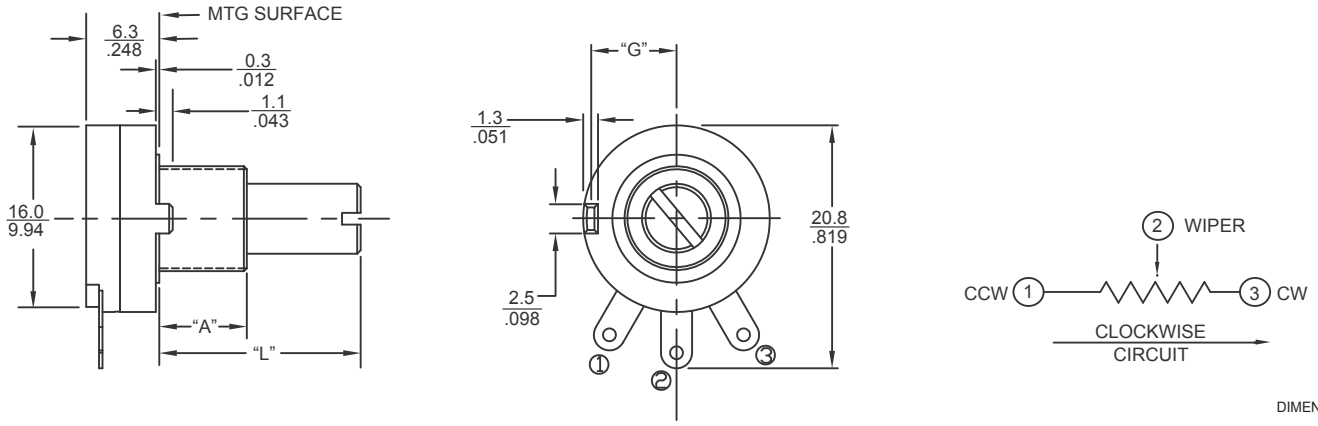
Ingress Protection Rating

IP40, IP54, IP67

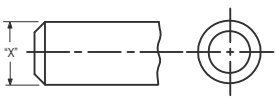
Vibration

15G, 10 to 2000 Hz

284T Metal Shaft, Bushing Mount, Solder Lug Terminal

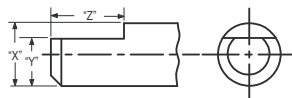


Shaft Trim



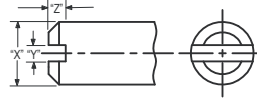
R - ROUND

| | X |
|----------------|-------|
| Imperial Shaft | .125" |
| Metric Shaft | 6.00 |



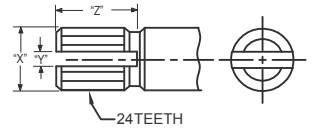
F - FLATTED

| | X | Y | Z |
|----------------|-------|-------|-------|
| Imperial Shaft | .125" | .076" | .156" |
| Metric Shaft | 6.00 | 4.00 | 5.00 |



S - SLOTTED

| | X | Y | Z |
|----------------|-------|-------|-------|
| Imperial Shaft | .125" | .039" | .047" |
| Metric Shaft | 6.00 | 1.57 | 1.00 |

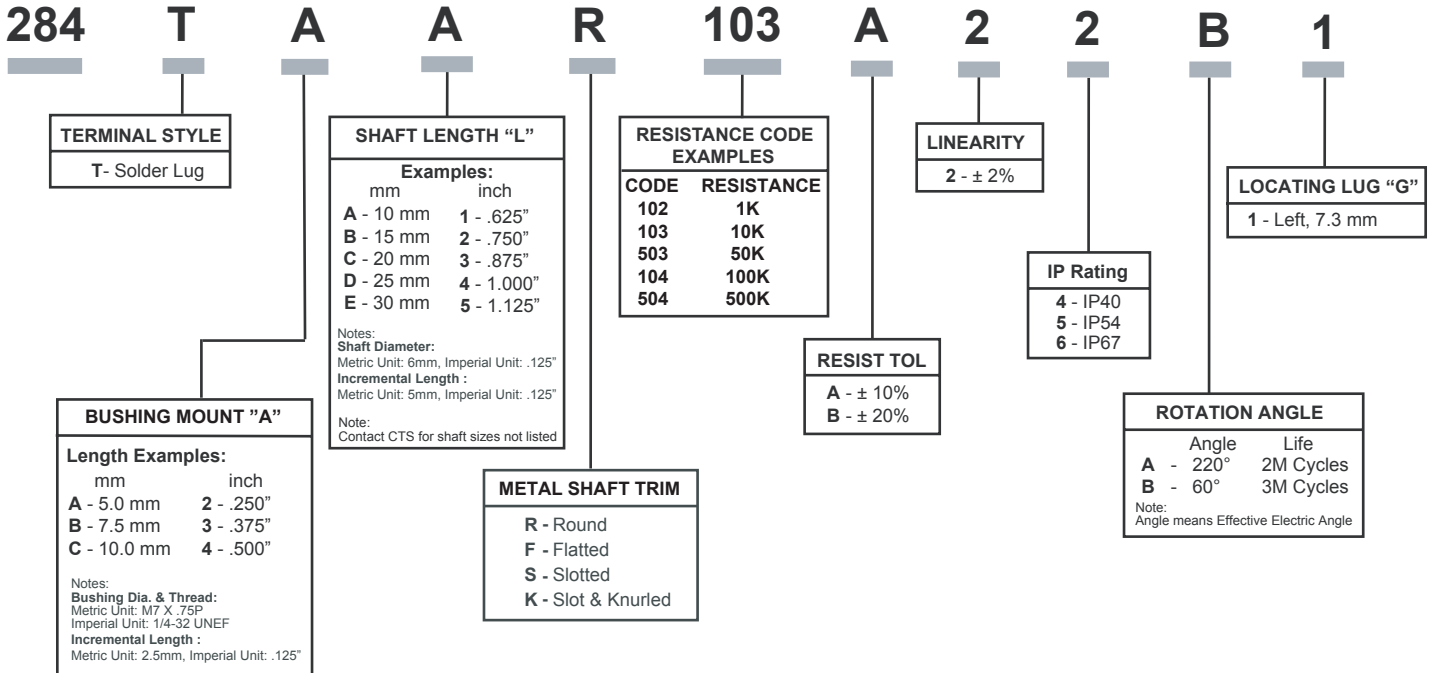


K - SLOT & KNURLED

| | X | Y | Z |
|----------------|-------|-------|-------|
| Imperial Shaft | .236" | .062" | .157" |
| Metric Shaft | 6.00 | 1.57 | 4.00 |

Note: Contact CTS for shaft sizes not listed

Ordering Information



Please consult factory for custom or not listed features.