

# 5-6 WATT FIXED INPUT DC/DC POWER MODULES

(Square Package)

## FEATURES

- 5.0 to 6.0 Watt Isolated Output
- Regulated Output
- High Performance
- Low Riple and Noise

## GENERAL SPECIFICATIONS

- Efficiency ..... 60%
- Switching Frequency ..... 20KHz Min.
- Isolation Voltage: ..... 500Vdc Min.
- Operating Temperature ..... -25 to +75°C  
Derate Linearly to no load @ 100°C max.
- Case Material:  
Non-Conductive Black Plastic
- EMI/RFI..... Six-Sided Continuous Shield

## INPUT SPECIFICATIONS

- Voltage ..... 5,12, 24, 28, 48 Vdc
- Voltage Range ..... ± 10%
- Input Filter ..... Pi Type

## OUTPUT SPECIFICATIONS

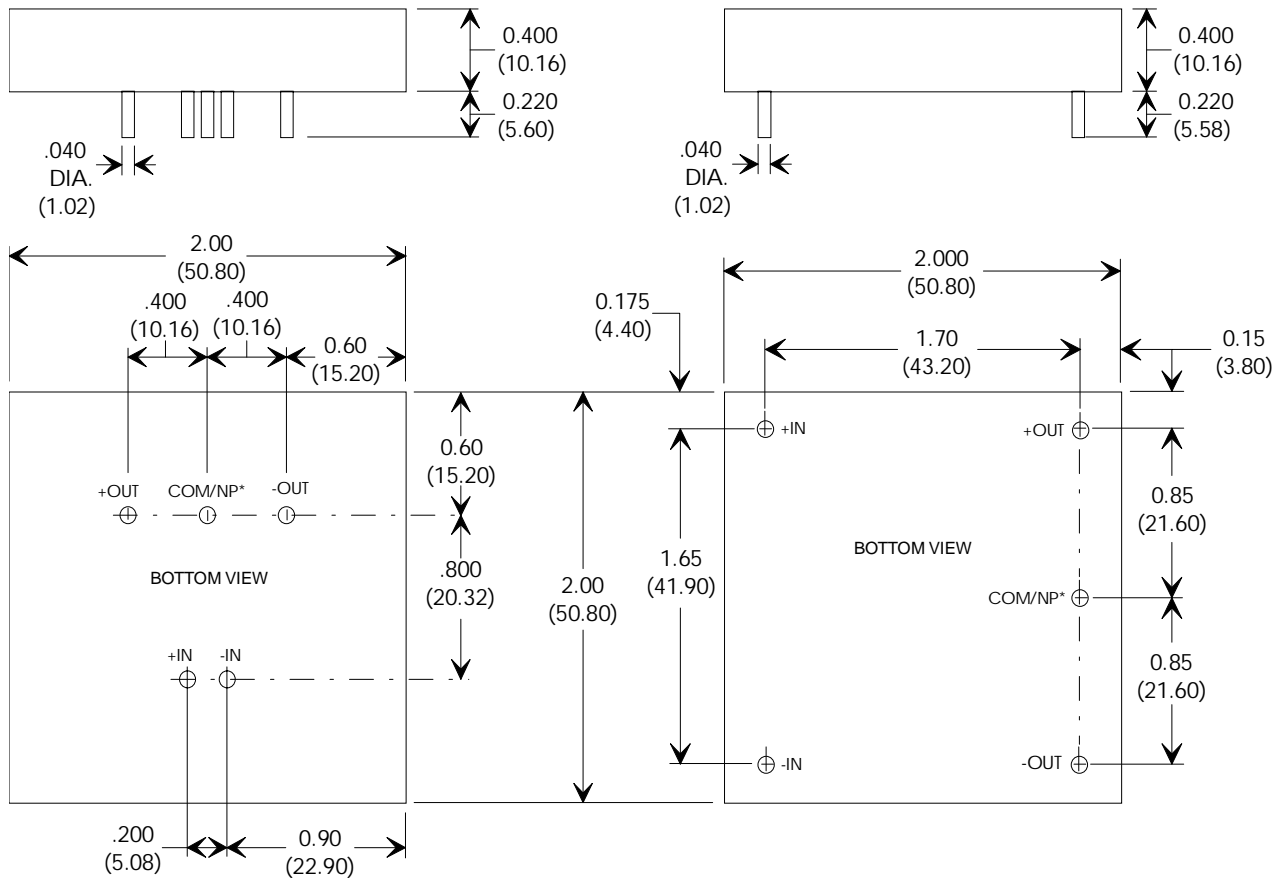
- Voltage ..... Per Table
- Initial Voltage Accuracy ..... ±1% typ
- Voltage Stability ..... ±0.05% max
- Ripple&Noise Single/Dual.....50/35 mVp-p Max
- Load Regulation ..... ± 0.05%
- Line Regulation ..... ±0.02% typ.
- Temp Coefficient ..... ±0.02% /°C
- Short Circuit Protection ..... Short Term

### PACKAGE "AA"

### PHYSICAL DIMENSIONS DIMENSIONS IN inches (mm)

### PACKAGE "BB"

**P** PDCx06xxxx  
**M** YYWW



NP\* - NO PIN ON SINGLE OUTPUT MODELS



# 5-6 WATT FIXED INPUT DC/DC POWER MODULES

(Square Package)

**ELECTRICAL SPECIFICATIONS AT 25°C - OPERATING TEMPERATURE RANGE -25°C TO +75°C**

PART NUMBER	INPUT VOLTAGE (Vdc)	OUTPUT VOLTAGE (Vdc)	OUTPUT CURRENT (mA <sub>dc</sub> )	INPUT CURRENT		PACKAGE
				NO LOAD mA	FULL LOAD mA	
PDCS06081	5	5	1000	60	1700	AA
PDCS06082	5	12	470	70	1750	AA
PDCS06083	5	15	400	70	1800	AA
PDCD06082	5	±12	±230	130	1700	AA
PDCD06083	5	±15	±190	140	1700	AA
PDCS06086	12	5	1000	40	690	AA
PDCS06087	12	12	470	40	700	AA
PDCS06088	12	15	400	40	750	AA
PDCD06087	12	±12	±230	60	710	AA
PDCD06088	12	±15	±190	60	710	AA
PDCS06091	24	5	1000	20	350	AA
PDCS06092	24	12	470	20	340	AA
PDCS06093	24	15	400	20	360	AA
PDCD06092	24	±12	±230	35	360	AA
PDCD06093	24	±15	±190	35	360	AA
PDCS06096	28	5	1000	20	290	AA
PDCS06097	28	12	470	20	300	AA
PDCS06098	28	15	400	20	310	AA
PDCD06092	28	±12	±230	25	290	AA
PDCD06093	28	±15	±190	25	290	AA
PDCS06101	48	5	1000	14	170	AA
PDCS06102	48	12	470	14	170	AA
PDCS06103	48	15	400	14	180	AA
PDCD06102	48	±12	±230	20	170	AA
PDCD06103	48	±15	±190	20	170	AA
PDCS06106	5	5	1000	60	1700	BB
PDCS06107	5	12	470	70	1750	BB
PDCS06108	5	15	400	70	1800	BB
PDCD06107	5	±12	±230	130	1700	BB
PDCD06108	5	±15	±190	140	1700	BB
PDCS06111	12	5	1000	40	690	BB
PDCS06112	12	12	470	40	700	BB
PDCS06113	12	15	400	40	750	BB

Specifications subject to change without notice.

PDCx0608x 01/01



# 5-6 WATT FIXED INPUT DC/DC POWER MODULES

(Square Package)

**ELECTRICAL SPECIFICATIONS AT 25°C - OPERATING TEMPERATURE RANGE -25°C TO +75°C**

PART NUMBER	INPUT VOLTAGE (Vdc)	OUTPUT VOLTAGE (Vdc)	OUTPUT CURRENT (mA <sub>dc</sub> )	INPUT CURRENT		PACKAGE
				NO LOAD mA	FULL LOAD mA	
PDCD06112	12	±12	±230	60	710	BB
PDCD06113	12	±15	±190	60	710	BB
PDCS06116	24	5	1000	20	350	BB
PDCS06117	24	12	470	20	340	BB
PDCS06118	24	15	400	20	360	BB
PDCD06117	24	±12	±230	35	360	BB
PDCD06118	24	±15	±190	35	360	BB
PDCS06121	28	5	1000	20	290	BB
PDCS06122	28	12	470	20	300	BB
PDCS06123	28	15	400	20	310	BB
PDCD06122	28	±12	±230	25	290	BB
PDCD06123	28	±15	±190	25	290	BB
PDCS06126	48	5	1000	14	170	BB
PDCS06127	48	12	470	14	170	BB
PDCS06128	48	15	400	14	180	BB
PDCD06127	48	±12	±230	20	170	BB
PDCD06128	48	±15	±190	20	170	BB