



# 5-6 WATT 2:1 WIDE INPUT DC/DC POWER MODULES

(SQUARE PACKAGE)

## FEATURES

- 5.0 to 6.0 Watt Isolated Output
- High Conversion Efficiency
- Undefined & Current Limit Short Circuit Protection

## GENERAL SPECIFICATIONS

- Efficiency ..... Per Table
- Switching Frequency ..... 200KHz Min.
- Isolation Voltage: ..... 500Vdc Min.
- Operating Temperature ..... -25 to +75°C  
Derate Linearly to no load @ 100°C max.
- Case Material: ..... Non-Conductive  
Black Plastic
- EMI/RFI..... Six-Sided Continuous Shield

## INPUT SPECIFICATIONS

- Voltage ..... 12, 24, 48 Vdc
- Voltage Range ..... 9-18,18-36,36-72 Vdc
- Input Filter ..... Pi Type

## OUTPUT SPECIFICATIONS

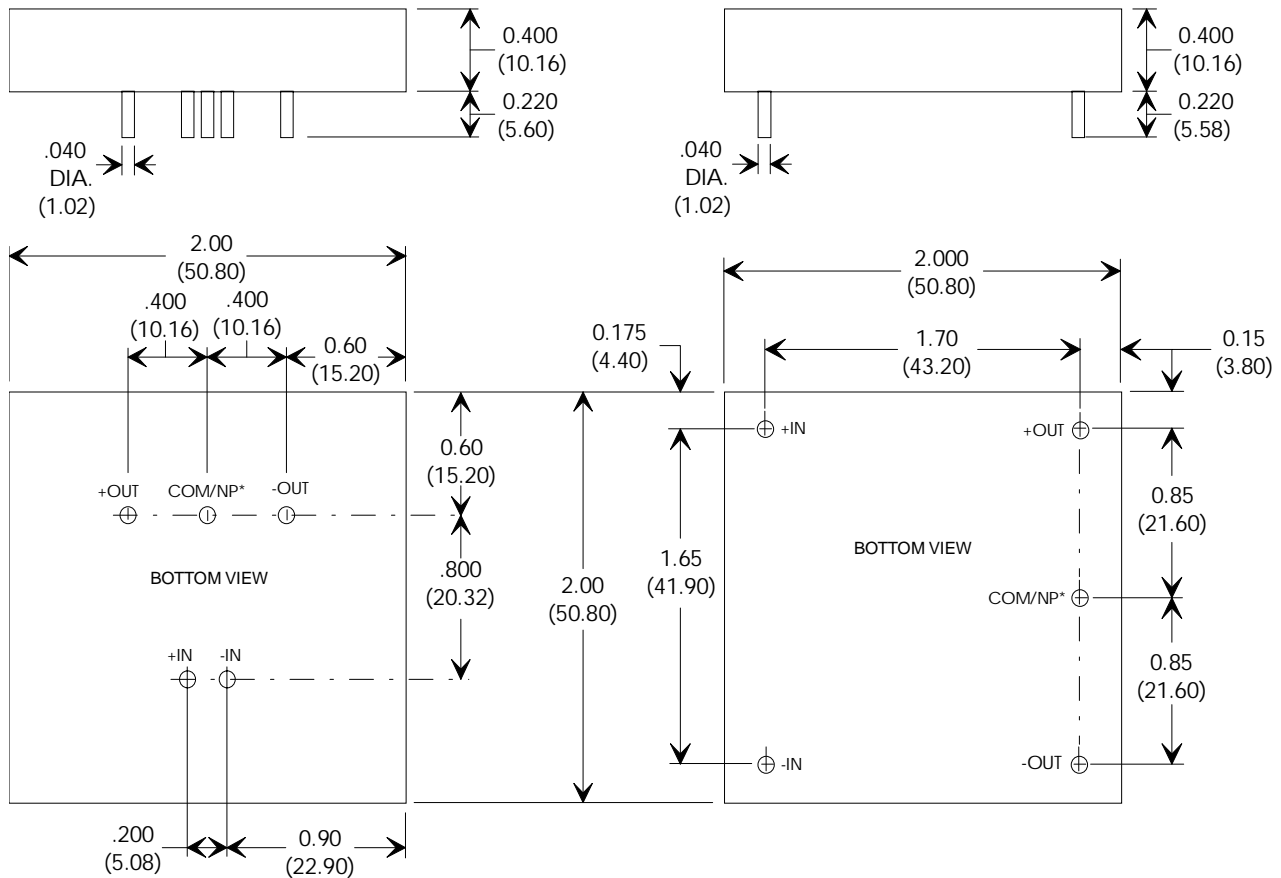
- Voltage ..... Per Table
- Initial Voltage Accuracy ..... ±1% typ
- Voltage Stability ..... ±0.05% max
- Ripple&Noise ..... 75 mVp-p Max
- Load Regulation ..... ± 1.0%
- Line Regulation ..... ±0.2% typ.
- Temp Coefficient ..... ±0.02% /°C
- Short Circuit Protection ..... Undefined &  
Current Limit

PACKAGE "AA"

PHYSICAL DIMENSIONS  
DIMENSIONS IN inches (mm)

PACKAGE "BB"

**P** PDCx06xxxx  
**M** YYWW



NP\* - NO PIN ON SINGLE OUTPUT MODELS

Specifications subject to change without notice.

PDCx0613x 02/01

20381 BARENTS SEA CIRCLE, LAKE FOREST, CA 92630 • TEL: (949) 452-0511 • FAX: (949) 452-0512 • <http://www.premiermag.com>



# 5-6 WATT 2:1 WIDE INPUT DC/DC POWER MODULES (SQUARE PACKAGE)

**ELECTRICAL SPECIFICATIONS AT 25°C - OPERATING TEMPERATURE RANGE -25°C TO +75°C**

PART NUMBER	INPUT VOLTAGE		OUTPUT VOLTAGE (Vdc)	OUTPUT CURRENT (mA <sub>dc</sub> )	INPUT CURRENT		EFFICIENCY	PACKAGE
	NOMINAL	RANGE			NO LOAD mA	FULL LOAD mA		
PDCS06131	12	9-18	5	1000	20	570	73	AA
PDCS06132	12	9-18	12	470	30	626	75	AA
PDCS06133	12	9-18	15	400	35	667	75	AA
PDCD06132	12	9-18	±12	±230	35	630	73	AA
PDCD06133	12	9-18	±15	±190	35	650	73	AA
PDCS06136	24	18-36	5	1000	15	278	75	AA
PDCS06137	24	18-36	12	470	20	305	77	AA
PDCS06138	24	18-36	15	400	20	325	77	AA
PDCD06137	24	18-36	±12	±230	25	307	75	AA
PDCD06138	24	18-36	±15	±190	25	317	75	AA
PDCS06141	48	36-72	5	1000	10	135	77	AA
PDCS06142	48	36-72	12	470	15	149	79	AA
PDCS06143	48	36-72	15	400	15	158	79	AA
PDCD06142	48	36-72	±12	±230	20	149	77	AA
PDCD06143	48	36-72	±15	±190	20	154	77	AA
PDCS06146	12	9-18	5	1000	20	570	73	BB
PDCS06147	12	9-18	12	470	30	626	75	BB
PDCS06148	12	9-18	15	400	35	667	75	BB
PDCD06147	12	9-18	±12	±230	35	630	73	BB
PDCD06148	12	9-18	±15	±190	35	650	73	BB
PDCS06151	24	18-36	5	1000	15	278	75	BB
PDCS06152	24	18-36	12	470	20	305	77	BB
PDCS06153	24	18-36	15	400	20	325	77	BB
PDCD06152	24	18-36	±12	±230	25	307	75	BB
PDCD06153	24	18-36	±15	±190	25	317	75	BB
PDCS06156	48	36-72	5	1000	10	135	77	BB
PDCS06157	48	36-72	12	470	15	149	79	BB
PDCS06158	48	36-72	15	400	15	158	79	BB
PDCD06157	48	36-72	±12	±230	20	149	77	BB
PDCD06158	48	36-72	±15	±190	20	154	77	BB