



7/16 DIN Male Connector Crimp/Solder Attachment For RG214, RG9, RG225, RG393

TECHNICAL DATA SHEET

PE4571

7/16 DIN Male Connector Crimp/Solder Attachment For RG214, RG9, RG225, RG393

Configuration

Connector	7/16 DIN Male
Connector Specification	IEC 169-4
Connector Interface Type	RG214, RG9, RG225, RG393
Cable Attachment Method (Shield/Contact)	Crimp/Solder
Body Style	Straight

Electrical Specifications

Frequency Range, GHz	DC to 7.5
Impedance, Ohms	50
Maximum Operating Voltage, Volts	500
Dielectric Withstanding Voltage, Vrms	1,500

Mechanical Specifications

Temperature

Operating Range, deg C	-65 to +165
------------------------	-------------

Size

Length, in [mm]	1.976 [50.19]
Width/Dia., in [mm]	1.25 [32]
Weight, lbs [g]	0.24 [108.86]

Connector

Type	7/16 DIN Male
Contact Material and Plating	Brass/Beryllium Copper, Gold
Contact Plating Specification	30µ in. minimum
Coupling Nut Material and Plating	Brass, Nickel
Coupling Nut Plating Specification	100µ in. minimum
Hex Size, mm	32
Torque, in-lbs [Nm]	18 [24.41]
Body Material and Plating	Brass, Nickel
Body Plating Specification	100µ in. minimum
Dielectric Type	Teflon

Compliance Certifications (visit www.Pasternack.com for current document)

RoHS Compliant	Yes
----------------	-----

Plotted and Other Data

Notes:	Values at 25 °C, sea level
--------	----------------------------

Click the following link (or enter part number in "SEARCH" on website) to obtain additional part information including price, inventory and certifications: [7/16 DIN Male Connector Crimp/Solder Attachment For RG214, RG9, RG225, RG393 PE4571](#)

The information contained in this document is accurate to the best of our knowledge and representative of the part described herein. It may be necessary to make modifications to the part and/or the documentation of the part, in order to implement improvements. Pasternack reserves the right to make such changes as required. Unless otherwise stated, all specifications are nominal.

7/16 DIN Male Connector Crimp/Solder Attachment
For RG214, RG9, RG225, RG393



TECHNICAL DATA SHEET

PE4571

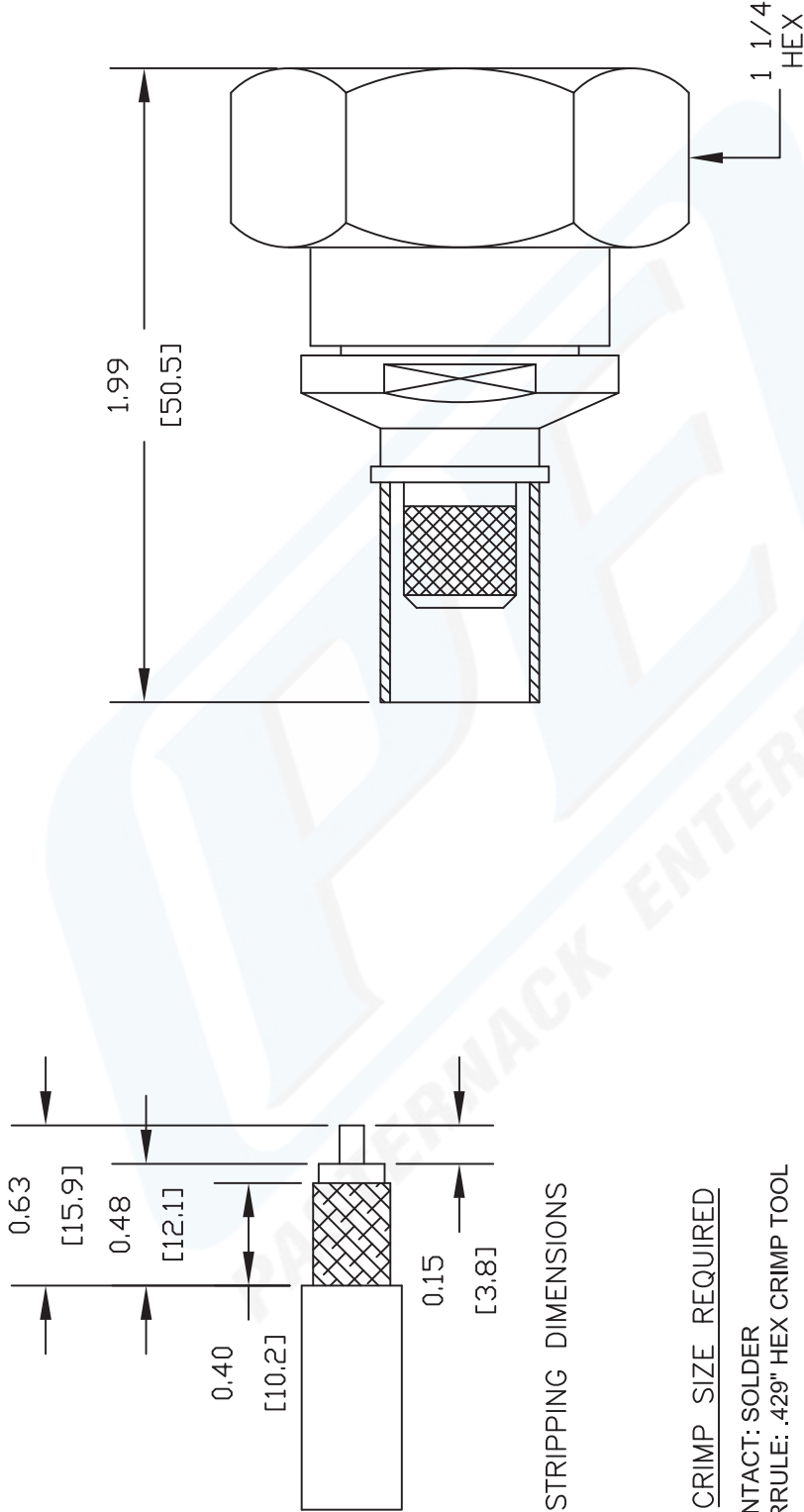
URL: <http://www.pasternack.com/7-16-male-standard-rg214-rg9-rg225-rg393-connector-pe4571-p.aspx>

7/16 DIN Male Connector Crimp/Solder Attachment For RG214, RG9, RG225, RG393 from Pasternack Enterprises has same day shipment for domestic and International orders. We maintain 99% availability of the industry's broadest selection of RF, microwave and fiber optic products.

The information contained in this document is accurate to the best of our knowledge and representative of the part described herein. It may be necessary to make modifications to the part and/or the documentation of the part, in order to implement improvements. Pasternack reserves the right to make such changes as required. Unless otherwise stated, all specifications are nominal.

PE4571 CAD Drawing

7/16 DIN Male Connector Crimp/Solder Attachment For RG214, RG9, RG225, RG393



STRIPPING DIMENSIONS

CRIMP SIZE REQUIRED

CONTACT: SOLDER
FERRULE: .429" HEX CRIMP TOOL

DWG TITLE

PE4571

NOTES:
1. UNLESS OTHERWISE SPECIFIED ALL DIMENSIONS ARE NOMINAL.
2. ALL SPECIFICATIONS ARE SUBJECT TO CHANGE WITHOUT NOTICE AT ANY TIME.
3. DIMENSIONS ARE IN INCHES [mm].
4. FITS MIL-C-17 AND EQUIVALENT CABLES.

REV. A

FSCM NO. 53919

CAD FILE 020409

SCALE N/A

SIZE A

127

PE PASTERNAK®
Pasternack Enterprises, Inc.

P.O. Box 16759 | Irvine | CA | 92623

Phone: (949) 261-1920 | Fax: (949) 261-7451

Website: www.pasternack.com | E-Mail: sales@pasternack.com