



MHV Tee Adapter Female-Male-Female

TECHNICAL DATA SHEET

PE9211

MHV Tee Adapter Female-Male-Female

Configuration

| | |
|----------------|------------|
| Connector 1 | MHV Female |
| Impedance 1 | 50 Ohms |
| Connector 2 | MHV Male |
| Impedance 2 | 50 Ohms |
| Connector 3 | MHV Female |
| Adapter Design | Standard |
| Body Style | Tee |

Mechanical Specifications

Size

| | |
|---------------------|---------------|
| Length, in [mm] | 1.282 [32.56] |
| Width/Dia., in [mm] | 0.57 [14.48] |
| Height, in [mm] | 1.082 [27.48] |

Connector 1

| | |
|--------------------------------------|---------------|
| Type | MHV Female |
| Inner Conductor Material and Plating | Silver |
| Body Material and Plating | Brass, Nickel |
| Dielectric Type | PTFE |

Connector 2

| | |
|--------------------------------------|---------------|
| Type | MHV Male |
| Inner Conductor Material and Plating | Silver |
| Coupling Nut Material and Plating | Brass, Nickel |
| Body Material and Plating | Brass, Nickel |
| Dielectric Type | PTFE |

Connector 3

| | |
|--------------------------------------|---------------|
| Type | MHV Female |
| Inner Conductor Material and Plating | Silver |
| Body Material and Plating | Brass, Nickel |
| Dielectric Type | PTFE |

Compliance Certifications (visit www.Pasternack.com for current document)

| | |
|----------------|-----|
| RoHS Compliant | Yes |
|----------------|-----|

Plotted and Other Data

| | |
|--------|----------------------------|
| Notes: | Values at 25 °C, sea level |
|--------|----------------------------|

Click the following link (or enter part number in "SEARCH" on website) to obtain additional part information including price, inventory and certifications: [MHV Tee Adapter Female-Male-Female PE9211](#)

The information contained in this document is accurate to the best of our knowledge and representative of the part described herein. It may be necessary to make modifications to the part and/or the documentation of the part, in order to implement improvements. Pasternack reserves the right to make such changes as required. Unless otherwise stated, all specifications are nominal.

MHV Tee Adapter Female-Male-Female



TECHNICAL DATA SHEET

PE9211

MHV Tee Adapter Female-Male-Female from Pasternack Enterprises has same day shipment for domestic and International orders. Our RF, microwave and fiber optic products maintain a 99% availability and are part of the broadest selection in the industry.

Click the following link (or enter part number in "SEARCH" on website) to obtain additional part information including price, inventory and certifications: [MHV Tee Adapter Female-Male-Female PE9211](#)

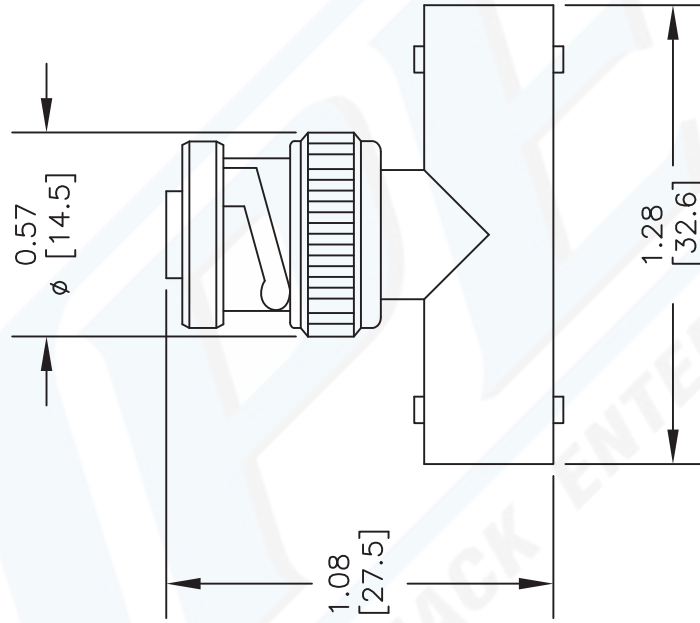
URL: <http://www.pasternack.com/mhv-female-male-female-tee-adapter-pe9211-p.aspx>



The information contained in this document is accurate to the best of our knowledge and representative of the part described herein. It may be necessary to make modifications to the part and/or the documentation of the part, in order to implement improvements. Pasternack reserves the right to make such changes as required. Unless otherwise stated, all specifications are nominal.

PE9211 CAD Drawing

MHV Tee Adapter Female-Male-Female



NOTES:
 1. UNLESS OTHERWISE SPECIFIED ALL DIMENSIONS ARE NOMINAL.
 2. ALL SPECIFICATIONS ARE SUBJECT TO CHANGE WITHOUT NOTICE AT ANY TIME.
 3. DIMENSIONS ARE IN INCHES [mm].

DWG TITLE
PE9211

127

SIZE A

SCALE N/A

CAD FILE 082902

FSCM NO. 53919

REV. -

PE PASTERNAK®
 Pasternack Enterprises, Inc.
 P.O. Box 16759 | Irvine | CA | 92623
Phone: (949) 261-1920 | **Fax:** (949) 261-7451
Website: www.pasternack.com | **E-Mail:** sales@pasternack.com