



Precision SMA Male to 7mm Sexless Adapter

TECHNICAL DATA SHEET

PE9215

Precision SMA Male to 7mm Sexless Adapter

Configuration

Connector 1	SMA Male
Impedance 1	50 Ohms
Connector 2	7mm Sexless
Impedance 2	50 Ohms
Adapter Design	Precision
Body Style	Straight

Electrical Specifications

Frequency Range, GHz	DC to 18
Maximum VSWR	1.15:1

Mechanical Specifications

Size

Length, in [mm]	1.275 [32.39]
Width/Dia., in [mm]	0.87 [22.1]

Connector 1

Type	SMA Male
------	----------

Connector 2

Type	7mm Sexless
------	-------------

Compliance Certifications (visit www.Pasternack.com for current document)

RoHS Compliant	Yes
----------------	-----

Plotted and Other Data

Notes:	Values at 25 °C, sea level
--------	----------------------------

URL: <http://www.pasternack.com/sma-male-7mm-sexless-straight-adapter-pe9215-p.aspx>

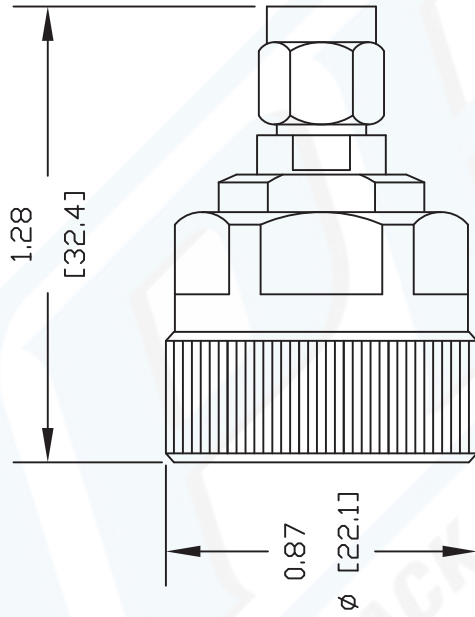
Precision SMA Male to 7mm Sexless Adapter from Pasternack Enterprises has same day shipment for domestic and International orders. Our RF, microwave and fiber optic products maintain a 99% availability and are part of the broadest selection in the industry.

The information contained in this document is accurate to the best of our knowledge and representative of the part described herein. It may be necessary to make modifications to the part and/or the documentation of the part, in order to implement improvements. Pasternack reserves the right to make such changes as required. Unless otherwise stated, all specifications are nominal.



PE9215 CAD Drawing

Precision SMA Male to 7mm Sexless Adapter



NOTES:
 1. UNLESS OTHERWISE SPECIFIED ALL DIMENSIONS ARE NOMINAL.
 2. ALL SPECIFICATIONS ARE SUBJECT TO CHANGE WITHOUT NOTICE AT ANY TIME.
 3. DIMENSIONS ARE IN INCHES [mm].

DWG TITLE
PE9215

127

SIZE A

SCALE N/A

CAD FILE 011204

FSCM NO. 53919

REV. -

PE PASTERNAK®
 Pasternack Enterprises, Inc.
 P.O. Box 16759 | Irvine | CA | 92623
Phone: (949) 261-1920 | **Fax:** (949) 261-7451
Website: www.pasternack.com | **E-Mail:** sales@pasternack.com