

50 Ohm BNC Female to 75 Ohm SMC Plug Adapter



TECHNICAL DATA SHEET

PE9236

50 Ohm BNC Female to 75 Ohm SMC Plug Adapter

Configuration

| | |
|----------------|------------|
| Connector 1 | BNC Female |
| Impedance 1 | 50 Ohms |
| Connector 2 | SMC Plug |
| Impedance 2 | 75 Ohms |
| Adapter Design | Standard |
| Body Style | Straight |

Mechanical Specifications

Size

| | |
|---------------------|--------------|
| Length, in [mm] | 1.2 [30.48] |
| Width/Dia., in [mm] | 0.48 [12.19] |

Connector 1

| | |
|--------------------------------------|---------------|
| Type | BNC Female |
| Inner Conductor Material and Plating | Gold |
| Body Material and Plating | Brass, Nickel |
| Dielectric Type | PTFE |

Connector 2

| | |
|--------------------------------------|---------------|
| Type | SMC Plug |
| Inner Conductor Material and Plating | Gold |
| Coupling Nut Material and Plating | Brass, Nickel |
| Body Material and Plating | Brass, Nickel |
| Dielectric Type | PTFE |

Compliance Certifications (visit www.Pasternack.com for current document)

| | |
|----------------|-----|
| RoHS Compliant | Yes |
|----------------|-----|

Plotted and Other Data

| | |
|--------|----------------------------|
| Notes: | Values at 25 °C, sea level |
|--------|----------------------------|

URL: <http://www.pasternack.com/smc-plug-bnc-female-straight-adapter-pe9236-p.aspx>

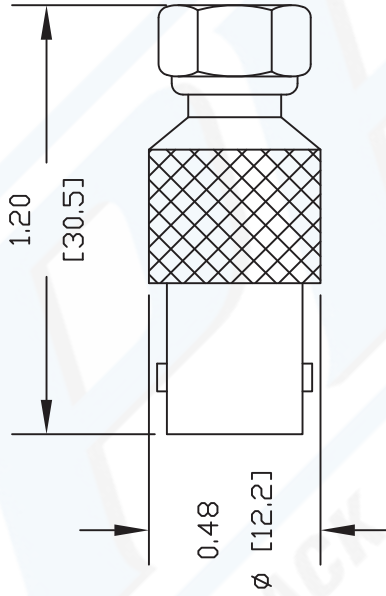
50 Ohm BNC Female to 75 Ohm SMC Plug Adapter from Pasternack Enterprises has same day shipment for domestic and International orders. Our RF, microwave and fiber optic products maintain a 99% availability and are part of the broadest selection in the industry.

The information contained in this document is accurate to the best of our knowledge and representative of the part described herein. It may be necessary to make modifications to the part and/or the documentation of the part, in order to implement improvements. Pasternack reserves the right to make such changes as required. Unless otherwise stated, all specifications are nominal.



PE9236 CAD Drawing

50 Ohm BNC Female to 75 Ohm SMC Plug Adapter



DWG TITLE

PE9236

NOTES:
1. UNLESS OTHERWISE SPECIFIED ALL DIMENSIONS ARE NOMINAL.
2. ALL SPECIFICATIONS ARE SUBJECT TO CHANGE WITHOUT NOTICE AT ANY TIME.
3. DIMENSIONS ARE IN INCHES [mm].

REV. -

FSCM NO. 53919

CAD FILE 090302

SCALE N/A

SIZE A

127

PE PASTERNAK®

Pasternack Enterprises, Inc.

P.O. Box 16759 | Irvine | CA | 92623

Phone: (949) 261-1920 | Fax: (949) 261-7451

Website: www.pasternack.com | E-Mail: sales@pasternack.com