



75 Ohm SMB Tee Adapter Jack-Plug-Jack

TECHNICAL DATA SHEET

PE9245

75 Ohm SMB Tee Adapter Jack-Plug-Jack

Configuration

Connector 1	SMB Jack
Impedance 1	75 Ohms
Connector 2	SMB Plug
Impedance 2	75 Ohms
Connector 3	SMB Jack
Adapter Design	Standard
Body Style	Tee

Mechanical Specifications

Size

Length, in [mm]	0.92 [23.37]
Height, in [mm]	0.692 [17.58]

Connector 1

Type	SMB Jack
Inner Conductor Material and Plating	Gold
Body Material and Plating	Brass, Nickel
Dielectric Type	PTFE

Connector 2

Type	SMB Plug
Inner Conductor Material and Plating	Gold
Body Material and Plating	Brass, Nickel
Dielectric Type	PTFE

Connector 3

Type	SMB Jack
Inner Conductor Material and Plating	Gold
Body Material and Plating	Brass, Nickel
Dielectric Type	PTFE

Compliance Certifications (visit www.Pasternack.com for current document)

RoHS Compliant	Yes
----------------	-----

Click the following link (or enter part number in "SEARCH" on website) to obtain additional part information including price, inventory and certifications: [75 Ohm SMB Tee Adapter Jack-Plug-Jack PE9245](#)

The information contained in this document is accurate to the best of our knowledge and representative of the part described herein. It may be necessary to make modifications to the part and/or the documentation of the part, in order to implement improvements. Pasternack reserves the right to make such changes as required. Unless otherwise stated, all specifications are nominal.



75 Ohm SMB Tee Adapter Jack-Plug-Jack

TECHNICAL DATA SHEET

PE9245

Plotted and Other Data

Notes:

Values at 25 °C, sea level

75 Ohm SMB Tee Adapter Jack-Plug-Jack from Pasternack Enterprises has same day shipment for domestic and International orders. Our RF, microwave and fiber optic products maintain a 99% availability and are part of the broadest selection in the industry.

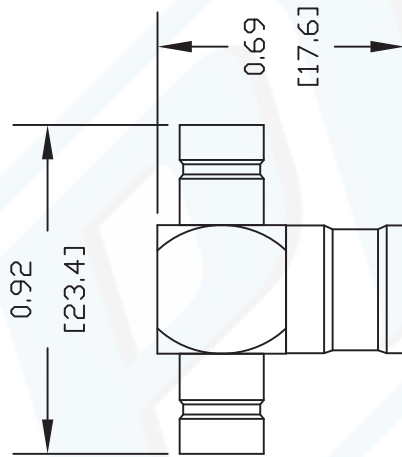
Click the following link (or enter part number in "SEARCH" on website) to obtain additional part information including price, inventory and certifications: [75 Ohm SMB Tee Adapter Jack-Plug-Jack PE9245](#)

URL: <http://www.pasternack.com/smb-jack-plug-jack-tee-adapter-pe9245-p.aspx>

The information contained in this document is accurate to the best of our knowledge and representative of the part described herein. It may be necessary to make modifications to the part and/or the documentation of the part, in order to implement improvements. Pasternack reserves the right to make such changes as required. Unless otherwise stated, all specifications are nominal.

PE9245 CAD Drawing

75 Ohm SMB Tee Adapter Jack-Plug-Jack



DWG TITLE

PE9245

NOTES:
 1. UNLESS OTHERWISE SPECIFIED ALL DIMENSIONS ARE NOMINAL.
 2. ALL SPECIFICATIONS ARE SUBJECT TO CHANGE WITHOUT NOTICE AT ANY TIME.
 3. DIMENSIONS ARE IN INCHES [mm].

REV. -

FSCM NO. 53919

CAD FILE 090302

SCALE N/A

SIZE A

127



PASTERNAK®
 Pasternack Enterprises, Inc.
 P.O. Box 16759 | Irvine | CA | 92623
Phone: (949) 261-1920 | **Fax:** (949) 261-7451
Website: www.pasternack.com | **E-Mail:** sales@pasternack.com