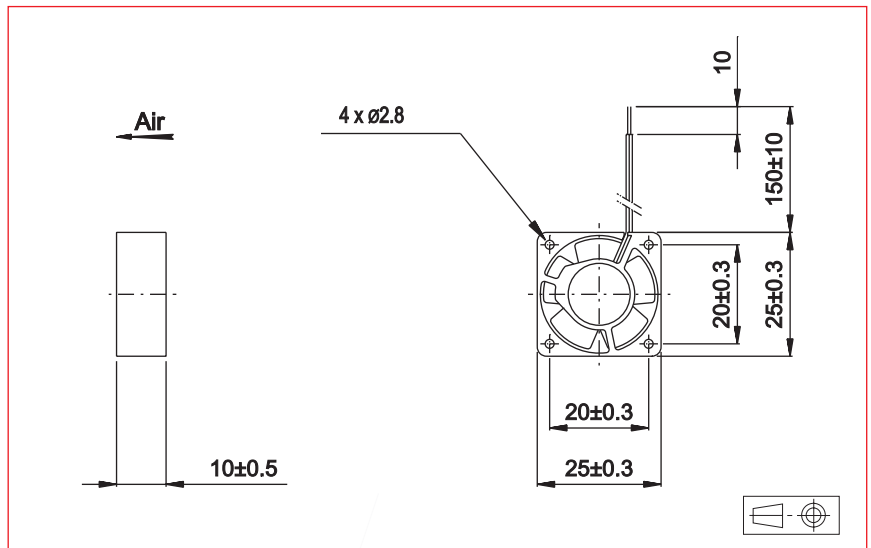


DC Axial Fans



#### Approvals



#### Life expectancy

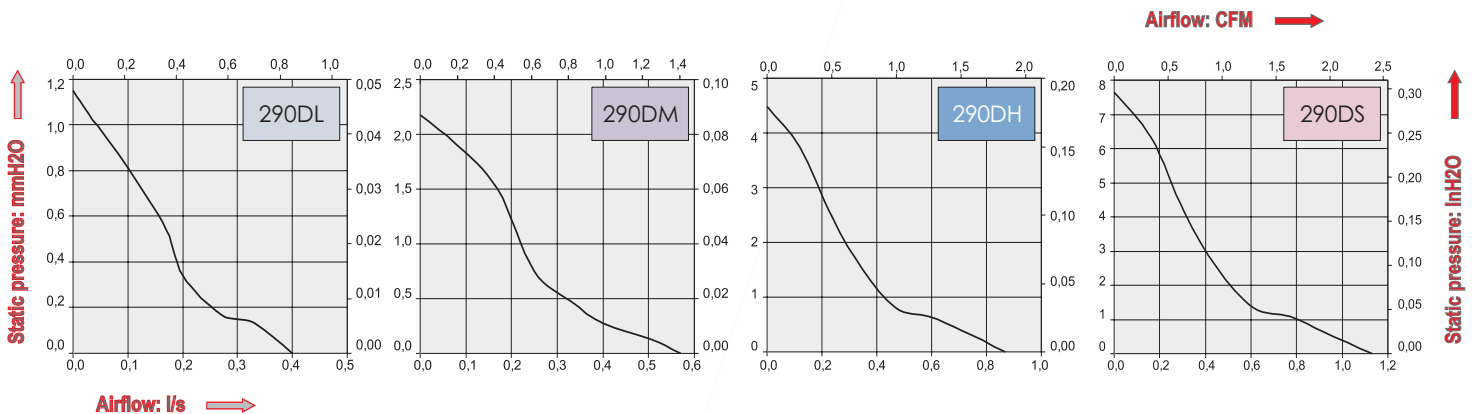
L-10 LIFE AT 40°C:  
30 000 hours

#### Brushless DC Motor

Electrical protection: impedance protected  
Housing material: plastic UL 94 VO  
Impeller material: plastic UL 94 VO  
Weight: 10,5 g  
Bearing system: ball bearings

#### Available with:

- Speed sensor
- Alarm
- IP54 / IP55



| Part Number   | Nominal voltage | Airflow | Noise level | Nominal speed | Input Power | Voltage range | Connection type |       | Operating temperature |    |
|---------------|-----------------|---------|-------------|---------------|-------------|---------------|-----------------|-------|-----------------------|----|
|               | V               |         |             |               |             |               | l/s             | dB(A) | RPM                   | W  |
| 290DL5LP11000 | 5               | 0,4     | 18          | 5000          | 0,20        | (4-6)         | X               |       | -10                   | 70 |
| 290DL1LP11000 | 12              | 0,4     | 18          | 5000          | 0,36        | (7-13,2)      | X               |       | -10                   | 70 |
| 290DM5LP11000 | 5               | 0,6     | 20          | 7000          | 0,30        | (4-6)         | X               |       | -10                   | 70 |
| 290DM1LP11000 | 12              | 0,6     | 20          | 7000          | 0,48        | (7-13,2)      | X               |       | -10                   | 70 |
| 290DH5LP11000 | 5               | 0,9     | 23,5        | 10000         | 0,60        | (4-6)         | X               |       | -10                   | 70 |
| 290DH1LP11000 | 12              | 0,9     | 23,5        | 10000         | 0,72        | (7-13,2)      | X               |       | -10                   | 70 |
| 290DS5LP11000 | 5               | 1,1     | 28          | 13000         | 0,80        | (4-6)         | X               |       | -10                   | 70 |
| 290DS1LP11000 | 12              | 1,1     | 28          | 13000         | 0,96        | (7-13,2)      | X               |       | -10                   | 70 |

#### Additional versions:

Series 215: 25 x 25 x 15 mm, 5V,  
available with speed sensor: consult factory