

# Rocker Switches

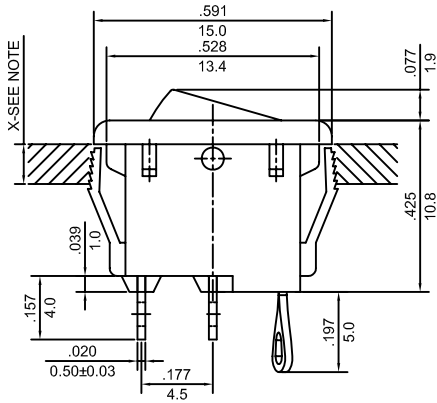
## Ultra Small Rocker Switch with LED Illumination

## RK8L Series

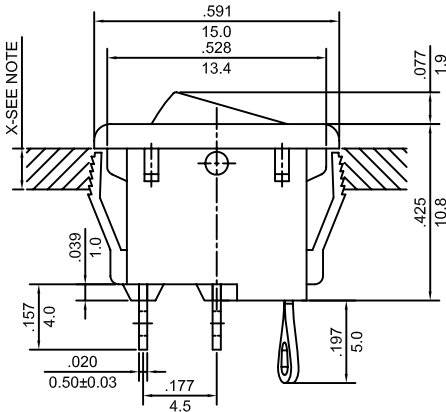
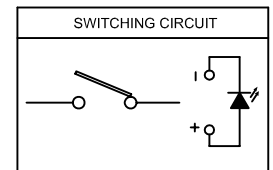
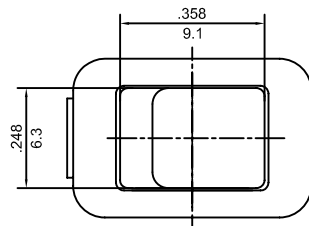
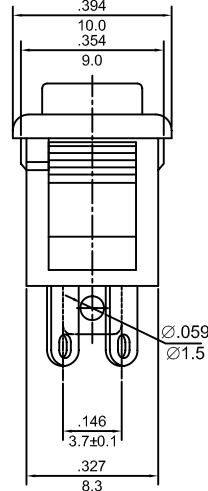


### GENERAL SPECIFICATIONS:

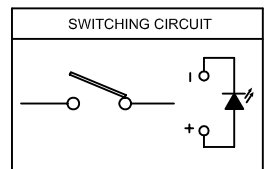
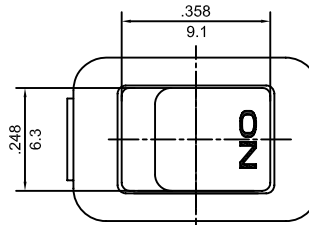
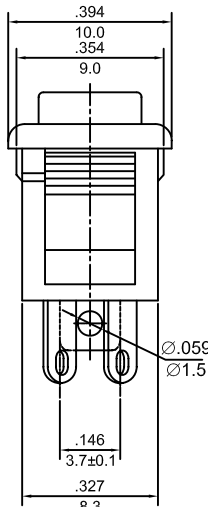
Rating: 3A250VAC  
 6A125VAC  
 3A250VAC ~μT100  
 Initial Contact Resistance: 20 mohm MAX.  
 Insulation Resistance: 100 Mohm MIN. at 500VDC  
 Dielectric Strength: 1,000VAC for 1 Minute



RK8LS\_DTL000



RK8LS1DF\_L0\_B2T



### How to order:

NOTE: 1. TOLERANCES UNLESS OTHERWISE SPECIFIED:  $\pm \frac{.012}{0.3}$  (in/mm)  
 2. X MEANS FOR APPLICATION PANEL THICKNESS MUST BE UNDER 2.5mm

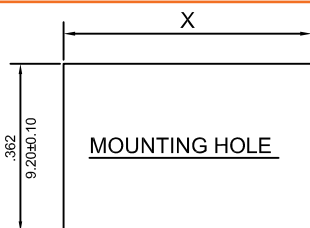
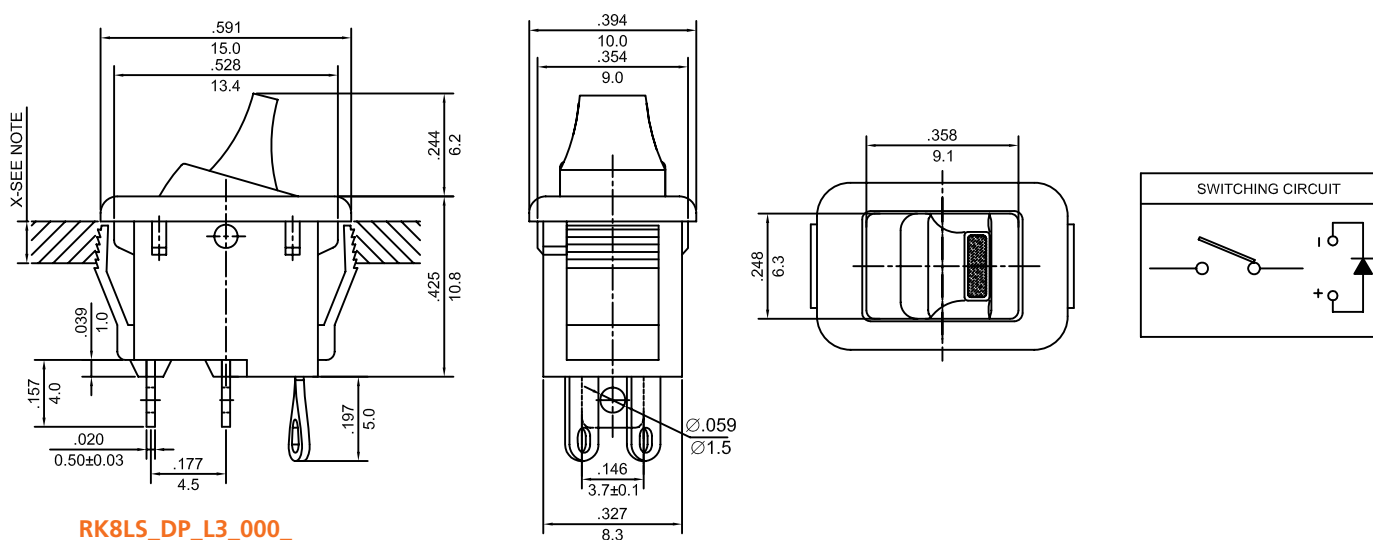
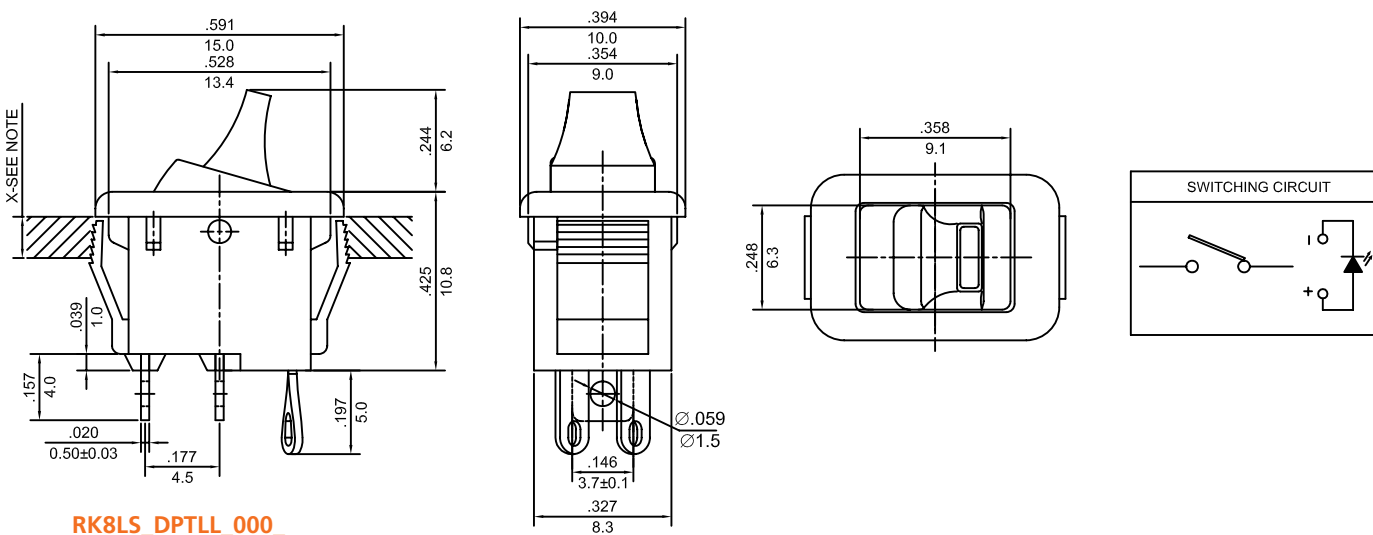
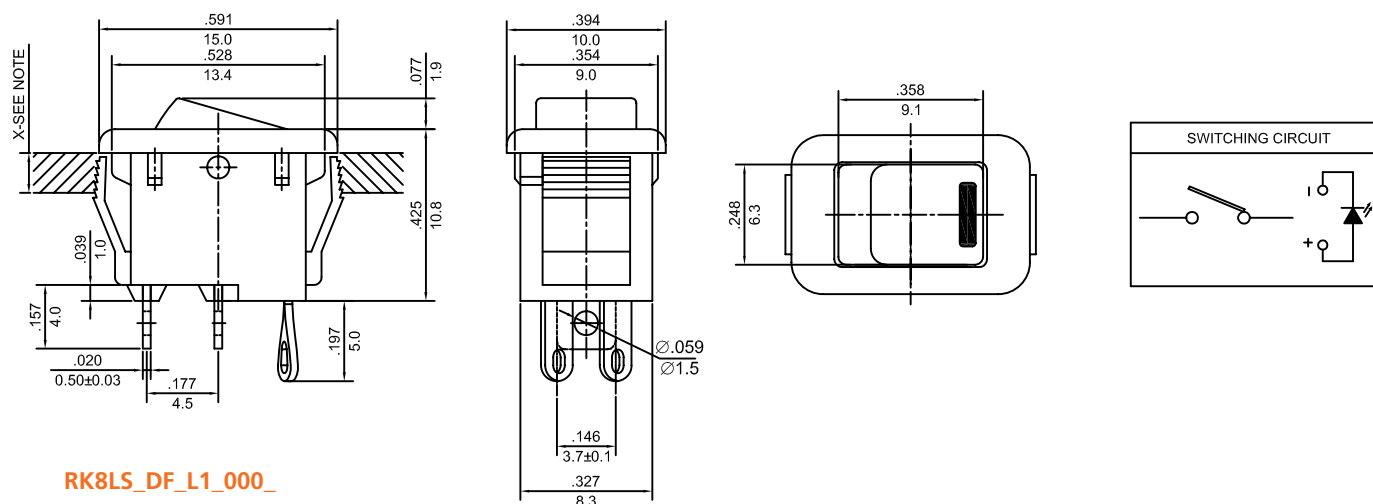
RK8L

- |   |   |   |  |
|---|---|---|--|
| <p><b>1 NO. OF POLES</b></p> <p><b>S</b> Single Pole</p> <p><b>2 SWITCHING FUNCTION</b></p> <p><b>1</b> ON-OFF<br/> <b>2</b> ON-ON<br/> <b>3</b> MOM-OFF</p> <p><b>3 TERMINAL TYPE</b></p> <p><b>D</b> Solder Tag</p> <p><b>4 ACTUATOR TYPE</b></p> <p><b>F</b> Flat Rocker<br/> <b>P</b> High Paddle</p> | <p><b>5 ACTUATOR COLOR</b></p> <p><b>T</b> Transparent<br/> <b>A</b> Black <b>B</b> White <b>C</b> Red<br/> <b>F</b> Green <b>G</b> Blue <b>D</b> Orange</p> <p><b>6 ILLUMINATION TYPE</b></p> <p><b>N</b> No Illumination<br/> <b>LL</b> Full Illumination (Transp. Actuator)<br/> <b>L0</b> Illuminated Laser Icon</p> <p><b>L1</b>  (Flat Rocker)<br/> <b>L2</b>  (Flat Rocker)<br/> <b>L3</b>  (High Paddle)</p> | <p><b>7 LED COLOR</b></p> <p><b>N</b> No Illumination<br/> <b>C</b> Red (1.9-2.2V)<br/> <b>D</b> Orange (1.9-2.2V)<br/> <b>E</b> Yellow (1.9-2.2V)<br/> <b>B</b> White (2.8-3.2V)<br/> <b>G</b> Blue (2.8-3.2V)<br/> <b>F</b> Green (2.8-3.2V)</p> <p><b>8 LEGEND TYPE</b></p> <p><b>0</b> No Legend<br/> <b>P</b> Normal Printing<br/> <b>B</b> Baled Printing with Laser Icon</p> | <p><b>9 LEGEND</b></p> <p><b>0</b>  <b>1</b> <br/> <b>2</b>  <b>3</b> <br/> <b>4</b>  <b>5</b> </p> <p><b>10 LEGEND COLOR</b></p> <p><b>0</b> No Legend<br/> <b>A</b> Black<br/> <b>B</b> White<br/> <b>T</b> Transparent</p> <p><b>11 BASE COLOR</b></p> <p><b>A</b> Black (Standard)<br/> <b>B</b> White<br/> <b>C</b> Red</p> |
|---|---|---|--|

# Rocker Switches

## Ultra Small Rocker Switch with LED Illumination

## RK8L Series



	X Cutout Dimension	Panel Thickness
A	.535/13.6 +0.00 -0.10	0.75~1.25
B	.539/13.7 +0.00 -0.10	1.25~2.00
C	.543/13.8 +0.00 -0.10	2.00~2.50