

Rocker Switches

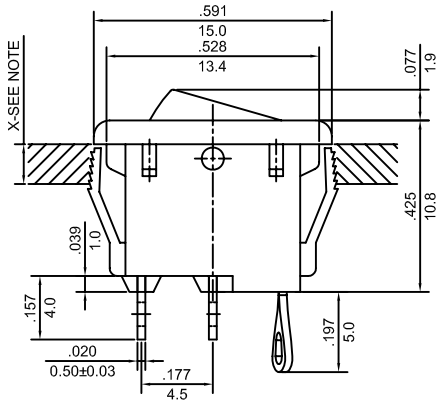
Ultra Small Rocker Switch with LED Illumination

RK8L Series

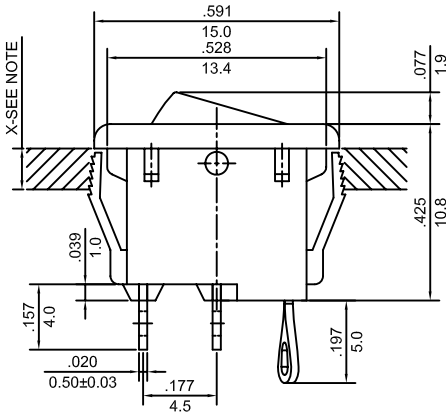
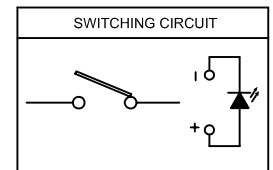
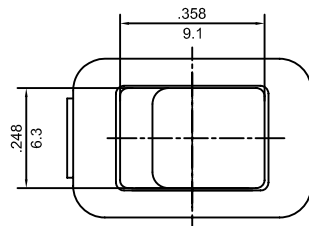
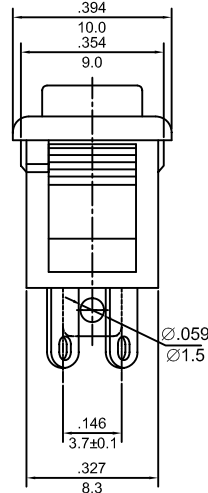


GENERAL SPECIFICATIONS:

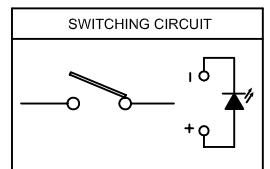
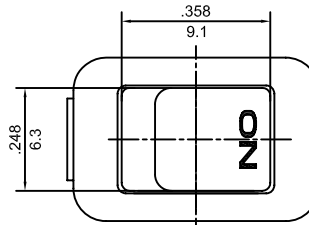
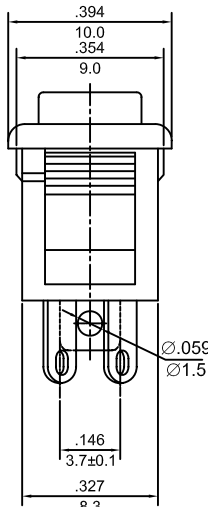
Rating: 3A250VAC
 6A125VAC
 3A250VAC ~μT100
 Initial Contact Resistance: 20 mohm MAX.
 Insulation Resistance: 100 Mohm MIN. at 500VDC
 Dielectric Strength: 1,000VAC for 1 Minute



RK8LS_DTL000



RK8LS1DF_L0_B2T



How to order:

NOTE: 1. TOLERANCES UNLESS OTHERWISE SPECIFIED: $\pm \frac{.012}{0.3}$ (in/mm)
 2. X MEANS FOR APPLICATION PANEL THICKNESS MUST BE UNDER 2.5mm

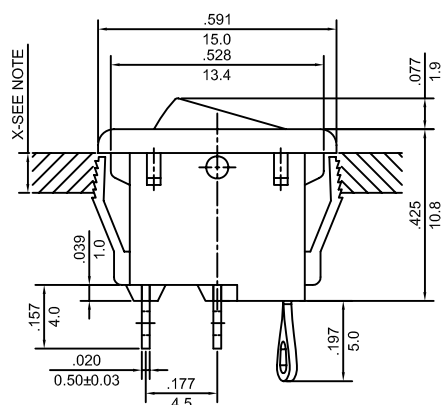
RK8L

- | | | | |
|----------------------------------------------------------------------------------------------------------------------------------------------------------------------------------------------------------------------------------------------------------------------------------------------------------------------|----------------------------------------------------------------------------------------------------------------------------------------------------------------------------------------------------------------------------------------------------------------------------------------------------------------------------------------------------------------------------------------------------------------------|-------------------------------------------------------------------------------------------------------------------------------------------------------------------------------------------------------------------------------------------------------------------------------------------------------------------------------------------------------------------------------------|------------------------------------------------------------------------------------------------------------------------------------------------------------------------------------------------------------------------------------------------------------------------------------------------------------------------|
| <p>1 NO. OF POLES</p> <p>S Single Pole</p> <p>2 SWITCHING FUNCTION</p> <p>1 ON-OFF
 2 ON-ON
 3 MOM-OFF</p> <p>3 TERMINAL TYPE</p> <p>D Solder Tag</p> <p>4 ACTUATOR TYPE</p> <p>F Flat Rocker
 P High Paddle</p> | <p>5 ACTUATOR COLOR</p> <p>T Transparent
 A Black B White C Red
 F Green G Blue D Orange</p> <p>6 ILLUMINATION TYPE</p> <p>N No Illumination
 LL Full Illumination (Transp. Actuator)
 L0 Illuminated Laser Icon</p> <p>L1 (Flat Rocker)
 L2 (Flat Rocker)
 L3 (High Paddle)</p> | <p>7 LED COLOR</p> <p>N No Illumination
 C Red (1.9-2.2V)
 D Orange (1.9-2.2V)
 E Yellow (1.9-2.2V)
 B White (2.8-3.2V)
 G Blue (2.8-3.2V)
 F Green (2.8-3.2V)</p> <p>8 LEGEND TYPE</p> <p>0 No Legend
 P Normal Printing
 B Baled Printing with Laser Icon</p> | <p>9 LEGEND</p> <p>0 1
 2 3
 4 5 </p> <p>10 LEGEND COLOR</p> <p>0 No Legend
 A Black
 B White
 T Transparent</p> <p>11 BASE COLOR</p> <p>A Black (Standard)
 B White
 C Red</p> |
|----------------------------------------------------------------------------------------------------------------------------------------------------------------------------------------------------------------------------------------------------------------------------------------------------------------------|----------------------------------------------------------------------------------------------------------------------------------------------------------------------------------------------------------------------------------------------------------------------------------------------------------------------------------------------------------------------------------------------------------------------|-------------------------------------------------------------------------------------------------------------------------------------------------------------------------------------------------------------------------------------------------------------------------------------------------------------------------------------------------------------------------------------|------------------------------------------------------------------------------------------------------------------------------------------------------------------------------------------------------------------------------------------------------------------------------------------------------------------------|

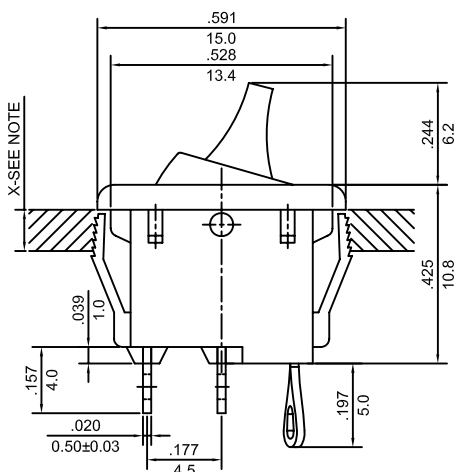
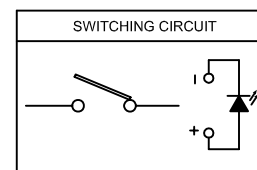
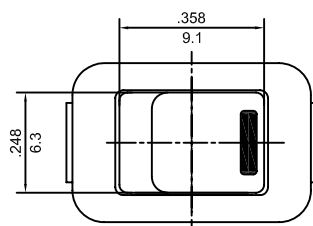
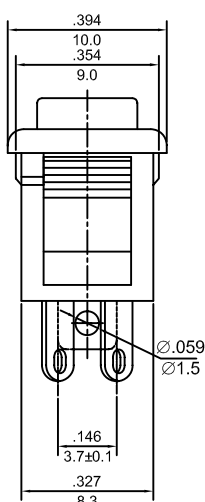
Rocker Switches

Ultra Small Rocker Switch with LED Illumination

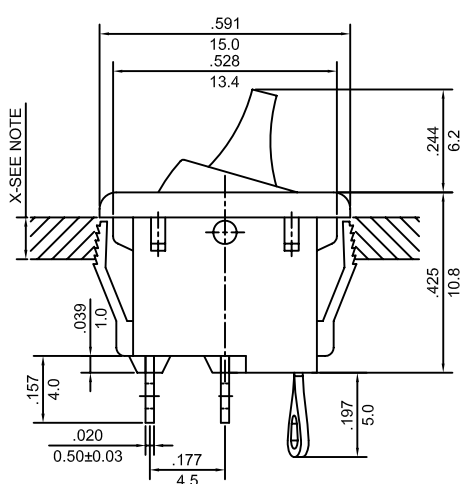
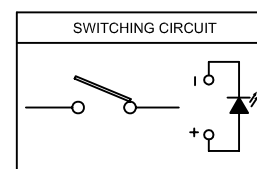
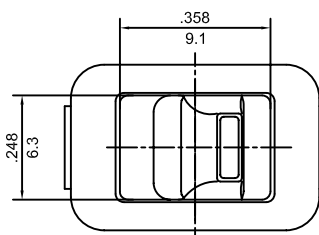
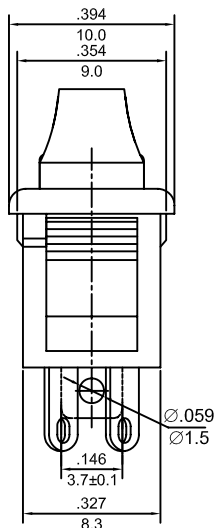
RK8L Series



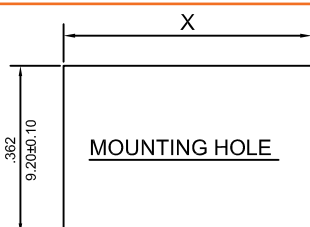
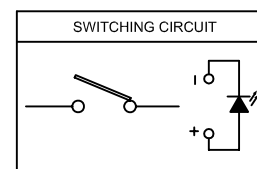
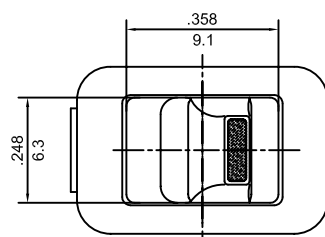
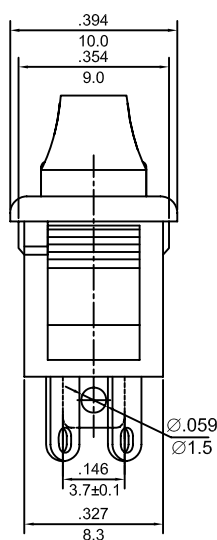
RK8LS_DF_L1_000_



RK8LS_DPTLL_000_



RK8LS_DP_L3_000_



	X Cutout Dimension	Panel Thickness
A	.535/13.6 +0.00 -0.10	0.75~1.25
B	.539/13.7 +0.00 -0.10	1.25~2.00
C	.543/13.8 +0.00 -0.10	2.00~2.50