

Multi Layer Ceramic Capacitors

Introduction

SAMWHA's series of multilayer ceramic(MLC) chip capacitors is designed to meet a wide variety of need. Multilayer ceramic chip capacitors are available in both class I and class II formulations. Temperature compensation formulations are class I and temperature stable and general application formulations are classified at class II. The class I multilayer ceramic capacitors are COG with negligible dependence of electrical properties on temperature, voltage, frequency. The most of commonly used class II dielectric are X7R, X5R and Y5V. The X7R provides intermediate capacitance values which vary $\pm 15\%$ over the temperature range of -55°C to 125°C . The X5R provides intermediate capacitance values which vary $\pm 15\%$ over the temperature range of -55°C to 85°C . The Y5V provides the highest capacitance value which vary from 22% to -82% over the temperature range of -30°C to 85°C . All class II capacitors vary in capacitance value under the influence of temperature, operating voltage and frequency. We offer a complete line of products for both class I and II.

Features

- Samwha's high density ceramic bodies offer superior performance and reliability
- Samwha offer various temperature characteristics, rated voltage and packing method
- Material with high dielectric constant and superior manufacturing technology allows very high values in a small size
- Solder coated terminals offer superior solderability

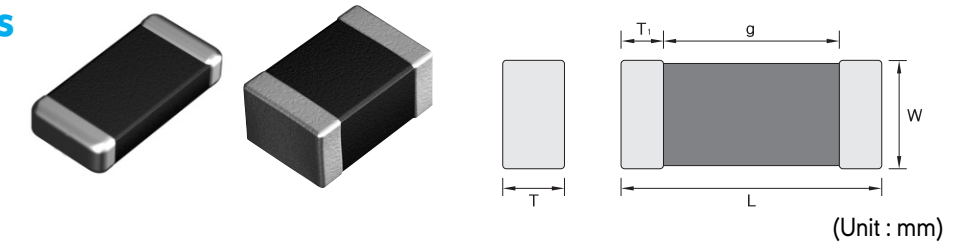
Applications

Wide applications throughout commercial and industrial market.

- Communication products like Cellular Phone, Pager, Codeless phone
- Multimedia products like DVD, CD-ROM, FDD, HDD, Game machine, Computer, Note book, Digital camera, LCD
- Audio visual products like TV, Camcorder, Minidisk, MP3 Player
- Communication products like Electronic tuner, Duplexer, VCXO, TCXO, Modem
- OA equipment products like Printer, Copy Machine, Fax Machine

SMD Type

Shape & Dimensions



| Code(inch) | Dimensions | | | | T1(min) |
|------------|------------|--------------|-------|--------------|---------|
| | Length | | Width | | |
| | L | Tol(\pm) | W | Tol(\pm) | |
| 0603(0201) | 0.60 | 0.03 | 0.30 | 0.03 | 0.05 |
| 1005(0402) | 1.00 | 0.05 | 0.50 | 0.05 | 0.05 |
| 1608(0603) | 1.60 | 0.15 | 0.80 | 0.10 | 0.10 |
| 2012(0805) | 2.00 | 0.20 | 1.25 | 0.15 | 0.10 |
| 3216(1206) | 3.20 | 0.30 | 1.60 | 0.20 | 0.15 |
| 3225(1210) | 3.20 | 0.40 | 2.50 | 0.25 | 0.15 |
| 4520(1808) | 4.50 | 0.40 | 2.00 | 0.25 | 0.20 |
| 4532(1812) | 4.50 | 0.40 | 3.20 | 0.30 | 0.20 |
| 5750(2300) | 5.70 | 0.50 | 5.00 | 0.40 | 0.30 |

*1608 Size $\geq 10\mu\text{F} \Rightarrow W : 0.8 \pm 0.15, T : 0.8 \pm 0.15$

How to Order(Product Identification)

CS 1608 X7R 104 K 160 N R B

1 2 3 4 5 6 7 8 9

1 Type

CS : SMD

SA : ARRAY

2 Size Code

This is expressed in tens of a millimeter.

The first two digits are the length, the last two digits are width.

| Size(mm) | 0603 | 1005 | 1608 | 2012 | 3216 | 3225 | 4520 | 4532 | 5750 |
|----------|------|------|------|------|------|------|------|------|------|
| | | | | | | | | | |

3 Temperature Coefficient Code

| Temperature Characteristic | Temperature Range | Capacitance Change or Temperature Coefficient | Operating Temperature Range |
|----------------------------|--------------------------------|---|--------------------------------|
| COG | -55 to 125°C | $0 \pm 30\text{ppm}/^{\circ}\text{C}$ | -55 to 125°C |
| X7R | -55 to 125°C | $\pm 15\%$ | -55 to 125°C |
| X5R | -55 to 85°C | $\pm 15\%$ | -55 to 85°C |
| Y5V | -30 to 85°C | $+22, -82\%$ | -30 to 85°C |

4 Capacitance Code(Pico Farads)

The nominal capacitance value in pF is expressed by three digit numbers.
 The first two digits represents significant figures and the last digit denotes the number of zero
 Ex.) 104 = 100000pF R denotes decimal 8R2 = 8.2pF

5 Capacitance Tolerance Code

| Code | Tolerance | Code | Tolerance |
|------|-----------|------|------------|
| B | ±0.1pF | M | ±20% |
| C | ±0.25pF | P | +100, -0% |
| D | ±0.5pF | Z | +80, -20% |
| F | ±1.0% | H | +0.25/-0pF |
| G | ±2.0% | I | +0/-0.25pF |
| J | ±5% | U | +5/-0% |
| K | ±10% | V | +0/-5% |

6 Voltage Code

| Code | 6R3 | 100 | 160 | 250 | 500 | 101 | 201 | 251 | 631 | 302 |
|------|---------|--------|--------|--------|--------|---------|---------|---------|---------|----------|
| Vol. | DC 6.3V | DC 10V | DC 16V | DC 25V | DC 50V | DC 100V | DC 200V | DC 250V | DC 630V | DC 3000V |

7 Termination Code

Ex.) N : Ni-Sn (Nickel-Tin Plate)

8 Packing Code

Ex.) R : Reel Type B : Bulk Type

9 Thickness Option

(Unit : mm)

| Code | Thickness(mm) | Dimensions | Code | Thickness(mm) | Dimensions |
|-------|---------------|------------|------|---------------|------------|
| | L | Tol(±) | | W | Tol(±) |
| Blank | 0.30 | 0.03 | E | 1.30 | 0.20 |
| Blank | 0.50 | 0.05 | H | 1.35 | 0.20 |
| A | 0.60 | 0.10 | I | 1.60 | 0.20 |
| B | 0.80 | 0.10 | J | 1.80 | 0.20 |
| B | 0.85 | 0.15 | K | 2.00 | 0.25 |
| E | 1.00 | 0.15 | L | 2.50 | 0.25 |
| E | 1.10 | 0.15 | M | 2.80 | 0.30 |
| E | 1.15 | 0.15 | N | 3.20 | 0.30 |
| E | 1.25 | 0.15 | O | 5.00 | 0.40 |

Typical Performance Characteristics

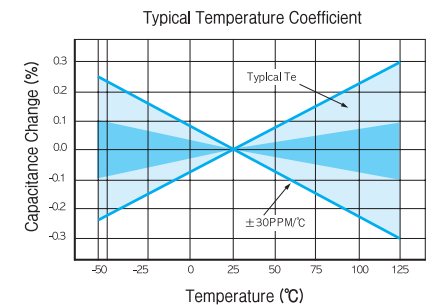
COG

Application

Suited for precision circuits, requiring stable dielectric characteristics, negligible dependence of capacitance and dissipation factor on time, voltage and frequency.

Dielectric Characteristics

| | |
|----------------------------|---|
| Temperature Characteristic | 0±30ppm/°C |
| Operating Temperature | -55~125°C |
| Capacitance Tolerance | > 10pF : ±5%, ±10%, (±1%, ±2%, ±20%) ≤10pF : ±0.1pF, ±0.25pF, ±0.5pF |
| Dissipation Factor & Q | ≥30pF : DF≤0.1%, Q≥1000 <30pF : Q≥400+20×C |
| Insulation Resistance | More than 10,000MΩ or 500ΩF (Whichever is smaller) |
| Dielectric Strength | >3×RVDC |
| Test Voltage | 0.5 to 5Vrms(≤1000pF), 1±0.2Vrms(>1000pF) |
| Test Frequency | 1±0.1MHz(≤1000pF), 1±0.1kHz(>1000pF) |



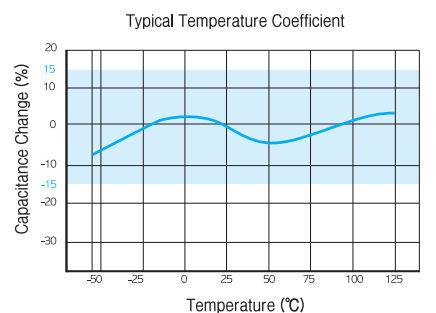
X7R

Application

Stable class II dielectric properties, suited for by-pass and coupling purposes, filtering, frequency discrimination, DC blockage, and as voltage transient suppression elements.

Dielectric Characteristics

| | |
|----------------------------|--|
| Temperature Characteristic | ±15% |
| Operating Temperature | -55~125°C |
| Capacitance Tolerance | ±10%, ±20%, (±5%, +80~-20%) |
| Dissipation Factor & Q | 50V Min. : 2.5% Max. 25V Min. : 3.0% Max. 16V Min. : 3.5% Max. 10V Min. : 5.0% Max. 6.3V Min. : 5.0% Max.(<3.3μF), 10% Max.(≥3.3μF) Thin layer large capacitors type 10% Max. |
| Insulation Resistance | More than 10,000MΩ or 500ΩF(Whichever is smaller) Thin layer large capacitors type 50ΩF Min. |
| Dielectric Strength | >2.5×RVDC |
| Test Voltage | 1±0.2Vrms(≤10μF, 10V Min.) 0.5±0.1Vrms(≤10μF, 6.3V Max.) 0.5±0.1Vrms(>10μF) |
| Test Frequency | 1±0.1kHz(≤10μF, 10V Min.) 1±0.1kHz(≤10μF, 6.3V Max.) 120±24Hz(>10μF) |



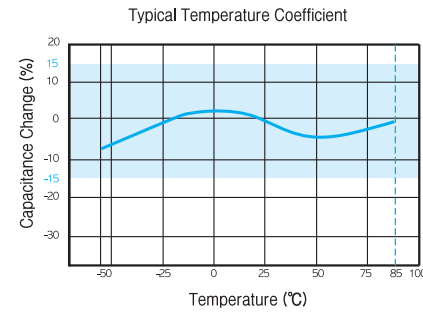
X5R

Application

Stable class II dielectric properties, suited for by-pass and coupling purposes, filtering, frequency discrimination, DC blockage, and as voltage transient suppression elements.

Dielectric Characteristics

| | |
|----------------------------|--|
| Temperature Characteristic | ±15% |
| Operating Temperature | -55~85°C |
| Capacitance Tolerance | ±10%, ±20%, (±5%, +80~-20%) |
| Dissipation Factor & Q | 50V Min. : 2.5% Max. 25V Min. : 3.0% Max. 16V Min. : 3.5% Max. 10V Min. : 5.0% Max. 6.3V Min. : 5.0% Max. (<3.3μF), 10% Max. (≥3.3μF) Thin layer large capacitors type 10% Max. |
| Insulation Resistance | More than 10,000MΩ or 500ΩF (Whichever is smaller) Thin layer large capacitors type 50ΩF Min. |
| Dielectric Strength | >2.5×RVDC |
| Test Voltage | 1±0.2Vrms(≤10μF, 10V Min.) 0.5±0.1Vrms(≤10μF, 6.3V Max.) 0.5±0.1Vrms(>10μF) |
| Test Frequency | 1±0.1kHz(≤10μF, 10V Min.) 1±0.1kHz(≤10μF, 6.3V Max.), 120±24Hz(>10μF) |



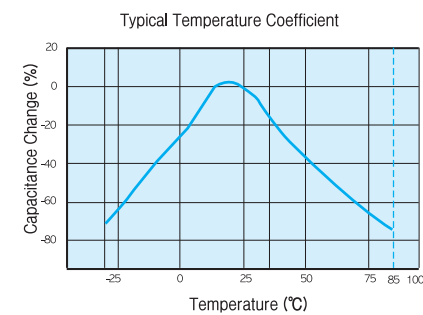
Y5V

Application

The Hi-K(Y5V) dielectrics deliver high capacitance density and are ideally suited for applications where space is at a premium, or as replacement for tantalum capacitors. Typically applications include use as by-pass or decoupling elements. Best performance is obtained at or near room temperature, with low DC bias.

Dielectric Characteristics

| | |
|----------------------------|--|
| Temperature Characteristic | +22%~-82% |
| Operating Temperature | -30~85°C |
| Capacitance Tolerance | -20~+80%(±20%) |
| Dissipation Factor & Q | 50V Min. : 5% Max. 25V Min. : 7% Max. 16V Min. : 9% Max. 10V Min. : 12.5% Max. 6.3V Min. : 15% Max. Thin layer large capacitors type 20% Max. |
| Insulation Resistance | More than 10,000MΩ or 500ΩF(Whichever is smaller) Thin layer large capacitors type 50ΩF Min. |
| Dielectric Strength | >2.5×RVDC |
| Test Voltage | 1±0.2Vrms(≤10μF, 10V Min.) 0.5±0.1Vrms(≤10μF, 6.3V Max.) 0.5±0.1Vrms(>10μF) |
| Test Frequency | 1±0.1kHz(≤10μF, 10V Min.) 1±0.1kHz(≤10μF, 6.3V Max.), 120±24Hz(>10μF) |



Appendix I

C0G-Temperature Compensating Type(0603~3216)

| Type Size(inch) Volt(V) Cap. | C0G | | | | | | | | |
|---------------------------------------|------------|------------|----|------------|----|------------|----|------------|----|
| | 0603(0201) | 1005(0402) | | 1608(0603) | | 2012(0805) | | 3216(1206) | |
| | 25 | 25 | 50 | 25 | 50 | 25 | 50 | 25 | 50 |
| 0.5pF(0R5) | | | | | | | | | |
| 1pF(010) | | | | | | | | | |
| 2pF(020) | | | | | | | | | |
| 3pF(030) | | | | | | | | | |
| 4pF(040) | | | | | | | | | |
| 5pF(050) | | | | | | | | | |
| 6pF(060) | | | | | | | | | |
| 7pF(070) | | | | | | | | | |
| 8pF(080) | | | | | | | | | |
| 9pF(090) | | | | | | | | | |
| 10pF(100) | | | | | | | | | |
| 12pF(120) | | | | | | | | | |
| 15pF(150) | | | | | | | | | |
| 18pF(180) | | | | | | | | | |
| 22pF(220) | | | | | | | | | |
| 27pF(270) | | | | | | | | | |
| 33pF(330) | | | | | | | | | |
| 39pF(390) | | | | | | | | | |
| 47pF(470) | | | | | | | | | |
| 56pF(560) | | | | | | | | | |
| 68pF(680) | | | | | | | | | |
| 82pF(820) | | | | | | | | | |
| 100pF(101) | | | | | | | | | |
| 120pF(121) | | | | | | | | | |
| 150pF(151) | | | | | | | | | |
| 180pF(181) | | | | | | | | | |
| 220pF(221) | | | | | | | | | |
| 270pF(271) | | | | | | | | | |
| 330pF(331) | | | | | | | | | |
| 390pF(391) | | | | | | | | | |
| 470pF(471) | | | | | | | | | |
| 560pF(561) | | | | | | | | | |
| 680pF(681) | | | | | | | | | |
| 820pF(821) | | | | | | | | | |
| 1000pF(102) | | | | | | | | | |
| 1200pF(122) | | | | | | | | | |
| 1500pF(152) | | | | | | | | | |
| 1800pF(182) | | | | | | | | | |
| 2200pF(222) | | | | | | | | | |
| 2700pF(272) | | | | | | | | | |
| 3300pF(332) | | | | | | | | | |
| 3900pF(392) | | | | | | | | | |
| 4700pF(472) | | | | | | | | | |
| 5600pF(562) | | | | | | | | | |
| 6800pF(682) | | | | | | | | | |
| 8200pF(822) | | | | | | | | | |
| 10000pF(103) | | | | | | | | | |
| 12000pF(123) | | | | | | | | | |
| 15000pF(153) | | | | | | | | | |
| 18000pF(183) | | | | | | | | | |
| 22000pF(223) | | | | | | | | | |
| 27000pF(273) | | | | | | | | | |
| 33000pF(333) | | | | | | | | | |
| 47000pF(473) | | | | | | | | | |
| 56000pF(563) | | | | | | | | | |
| 68000pF(683) | | | | | | | | | |
| 82000pF(823) | | | | | | | | | |
| 0.1μF(104) | | | | | | | | | |

Temperature Compensating Type : Dissipation Factor Page 22 (No.5)

SMD Type-High Voltage

Y5V-High Dielectric Constant Type(0603~3225) & Thin Layer Large-Capacitance Type

| Type | Y5V | | | | | | | | | | | | | | | | | | | | | | | | |
|--------------|------------|----|----|----|----|------------|----|----|----|----|------------|----|----|----|----|------------|----|----|----|----|------------|----|----|----|----|
| | 1005(0402) | | | | | 1608(0603) | | | | | 2012(0805) | | | | | 3216(1206) | | | | | 3225(1210) | | | | |
| | 6.3 | 10 | 16 | 25 | 50 | 6.3 | 10 | 16 | 25 | 50 | 6.3 | 10 | 16 | 25 | 50 | 6.3 | 10 | 16 | 25 | 50 | 6.3 | 10 | 16 | 25 | 50 |
| 1000pF(102) | | | | | | | | | | | | | | | | | | | | | | | | | |
| 2200pF(222) | | | | | | | | | | | | | | | | | | | | | | | | | |
| 4700pF(472) | | | | | | | | | | | | | | | | | | | | | | | | | |
| 10000pF(103) | | | | | | | | | | | | | | | | | | | | | | | | | |
| 15000pF(153) | | | | | | | | | | | | | | | | | | | | | | | | | |
| 22000pF(223) | | | | | | | | | | | | | | | | | | | | | | | | | |
| 33000pF(333) | | | | | | | | | | | | | | | | | | | | | | | | | |
| 47000pF(473) | | | | | | | | | | | | | | | | | | | | | | | | | |
| 68000pF(683) | | | | | | | | | | | | | | | | | | | | | | | | | |
| 0.1μF(104) | | | | | | | | | | | | | | | | | | | | | | | | | |
| 0.15μF(154) | | | | | | | | | | | | | | | | | | | | | | | | | |
| 0.22μF(224) | | | | | | | | | | | | | | | | | | | | | | | | | |
| 0.33μF(334) | | | | | | | | | | | | | | | | | | | | | | | | | |
| 0.47μF(474) | | | | | | | | | | | | | | | | | | | | | | | | | |
| 0.68μF(684) | | | | | | | | | | | | | | | | | | | | | | | | | |
| 1.0μF(105) | | | | | | | | | | | | | | | | | | | | | | | | | |
| 1.5μF(155) | | | | | | | | | | | | | | | | | | | | | | | | | |
| 2.2μF(225) | | | | | | | | | | | | | | | | | | | | | | | | | |
| 3.3μF(335) | | | | | | | | | | | | | | | | | | | | | | | | | |
| 4.7μF(475) | | | | | | | | | | | | | | | | | | | | | | | | | |
| 6.8μF(685) | | | | | | | | | | | | | | | | | | | | | | | | | |
| 10μF(106) | | | | | | | | | | | | | | | | | | | | | | | | | |
| 22μF(226) | | | | | | | | | | | | | | | | | | | | | | | | | |
| 47μF(476) | | | | | | | | | | | | | | | | | | | | | | | | | |
| 100μF(107) | | | | | | | | | | | | | | | | | | | | | | | | | |

- General Type : Dissipation Factor Page 22 (No.5)
- * General Type : Dissipation Factor Page 22 (No.5)
- Thin Layer Large-Capacitance Type : Dissipation Factor Page 22 (No.5)

Product Offering

SAMWHA high voltage MLCC products with COG(NPO) and X7R temperature characteristic are designed for commercial and industrial applications.

The products are power supply and voltage multiplier circuits applications in various sizes with working voltages up to DC 3.0 KV .

These high voltage capacitors feature a special internal electrode design which reduces voltage concentrations by distributing voltage gradients throughout the entire capacitor.

This unique design also affords that capacitance value is increased in a given case size and voltage rating.

Features

- High reliability
- High voltage ratings
- Wide voltage level : from 100V to 3000V
- Surface mount suited for Wave and Reflow Soldering
- Tape & reel surface mount assembly
- Suitable for Back-Lighting Inverter, DC-DC Converters, Ballast, Modems & Power Supply, LAN/WLAN interface... etc.

How to Order(Product Identification)

CS 4520 COG 150 J 302 N R E



1 Type

CS : SMD

2 Size Code

| Size(mm) | 1608 | 2012 | 3216 | 3225 | 4520 | 4532 |
|----------|------|------|------|------|------|------|
|----------|------|------|------|------|------|------|

3 Dielectric (Temp. Coefficient)

COG, X7R

4 Capacitance

1st two digits are value, 3rd digit denotes number of zeros;

331 = 330pF, 104 = 100000pF, 8R2C = 8.2pF

5 Tolerance

| Code | Tolerance | Code | Tolerance |
|------|-----------|------|-----------|
| B | ±0.1pF | C | ±0.25pF |
| D | ±0.50pF | F | ±1% |
| G | ±2% | J | ±5% |
| K | ±10% | M | ±20% |
| Z | +80~-20% | | |

6 Rated Voltage Code

1st two digits are value, 3rd digit denotes number of zeros; 302 = 3000V, 251 = 250V

7 Plating

Ni / Sn Plated

8 Packing

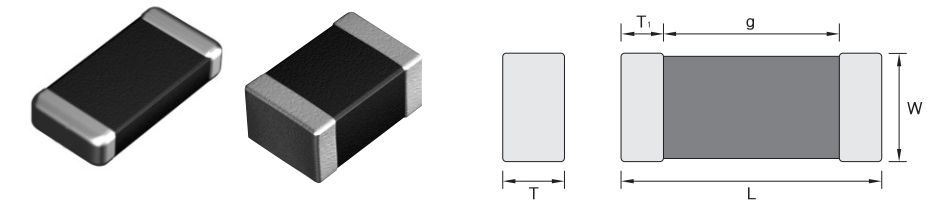
B : Bulk Pack R : Reel Pack

9 Thickness Option

(Unit : mm)

| Code | Thickness(mm) | Dimensions | Code | Thickness(mm) | Dimensions |
|-------|---------------|------------|------|---------------|------------|
| | L | Tol(±) | | W | Tol(±) |
| Blank | 0.30 | 0.03 | E | 1.30 | 0.20 |
| Blank | 0.50 | 0.05 | H | 1.35 | 0.20 |
| A | 0.60 | 0.10 | I | 1.60 | 0.20 |
| B | 0.80 | 0.10 | J | 1.80 | 0.20 |
| B | 0.85 | 0.15 | K | 2.00 | 0.25 |
| E | 1.00 | 0.15 | L | 2.50 | 0.25 |
| E | 1.10 | 0.15 | M | 2.80 | 0.30 |
| E | 1.15 | 0.15 | N | 3.20 | 0.30 |
| E | 1.25 | 0.15 | O | 5.00 | 0.40 |

Shape & Dimensions



(Unit : mm)

| Code | Dimensions | | | | T1(min) |
|------------|------------|--------|-------|--------|---------|
| | Length | | Width | | |
| | L | Tol(±) | W | Tol(±) | |
| 1608(0603) | 1.60 | 0.15 | 0.80 | 0.10 | 0.10 |
| 2012(0805) | 2.00 | 0.20 | 1.25 | 0.15 | 0.10 |
| 3216(1206) | 3.20 | 0.30 | 1.60 | 0.20 | 0.15 |
| 3225(1210) | 3.20 | 0.40 | 2.50 | 0.25 | 0.15 |
| 4520(1808) | 4.50 | 0.40 | 2.00 | 0.25 | 0.20 |
| 4532(1812) | 4.50 | 0.40 | 3.20 | 0.30 | 0.20 |
| 5750(2300) | 5.70 | 0.50 | 5.00 | 0.40 | 0.30 |

*1608 Size ≥ 10μF ⇒ W : 0.8±0.15, T : 0.8±0.15

Typical Performance Characteristics

| Dielectric Characteristics | COG(NPO) | X7R |
|--|--|---|
| | Dielectric Classification | Ultra Stable |
| Rated temperature range | -55°C to +125°C | -55°C to +125°C |
| TCC(Temperature Characteristics Coefficient) | 0±30ppm | ±15% |
| Dissipation Factor(tan δ) | C≥30pF : Q≥1,000 (DF:≤ 0.1%) C<30pF : Q≥400+20C(DF: ≤1/(400+20C)) | 2.5% Max. |
| IR(Insulation Resistance) | 500V Below : Rated voltage 60sec 500V Above : 500V 60sec More than 10,000 MΩ | 500V Below:Rated voltage 60sec 500V Above:500V 60sec -DC100V~1KV :C≥0.01μF:More than 100MΩμF :C<0.01μF:More than 10,000MΩ -DC2~3KV:More than6,000 MΩ |
| Capacitance Tolerance | <10pF : ±0.25pF, ±0.5pF ≥10pF : ±5%, ±0% | ±10%, ±20% |
| Dielectric strength | 630V:150% Rated Voltage 1kV~3.15kV:120% Rated Voltage | 100V:150% Rated Voltage 630V:150% Rated Voltage 1kV~3.15kV: 120% Rated Voltage |
| Aging characteristics | 0% | 2.5% per decade hr, typical |

Appendix High Voltage Type(100V~3000V)

COG-Temperature Compensation Type

| Type | COG | | | | | | | | | | | | | | | | | | | | | | | | |
|--------------|------------|-----|------------|-----|------------|-----|-----|------|------------|-----|-----|-----|------------|------|-----|-----|------------|------|------|------|-----|-----|-----|------|------|
| | 1608(0603) | | 2012(0805) | | 3216(1206) | | | | 3225(1210) | | | | 4520(1808) | | | | 4532(1812) | | | | | | | | |
| | 100 | 250 | 100 | 250 | 100 | 250 | 630 | 1000 | 2000 | 100 | 250 | 630 | 1000 | 2000 | 100 | 250 | 630 | 1000 | 2000 | 3000 | 100 | 250 | 630 | 1000 | 2000 |
| 4.7pF(4R7) | | | | | | | | | | | | | | | | | | | | | | | | | |
| 5pF(050) | | | | | | | | | | | | | | | | | | | | | | | | | |
| 7pF(070) | | | | | | | | | | | | | | | | | | | | | | | | | |
| 8pF(080) | | | | | | | | | | | | | | | | | | | | | | | | | |
| 9pF(090) | | | | | | | | | | | | | | | | | | | | | | | | | |
| 10pF(100) | | | | | | | | | | | | | | | | | | | | | | | | | |
| 12pF(120) | | | | | | | | | | | | | | | | | | | | | | | | | |
| 15pF(150) | | | | | | | | | | | | | | | | | | | | | | | | | |
| 18pF(180) | | | | | | | | | | | | | | | | | | | | | | | | | |
| 22pF(220) | | | | | | | | | | | | | | | | | | | | | | | | | |
| 47pF(470) | | | | | | | | | | | | | | | | | | | | | | | | | |
| 56pF(560) | | | | | | | | | | | | | | | | | | | | | | | | | |
| 68pF(680) | | | | | | | | | | | | | | | | | | | | | | | | | |
| 82pF(820) | | | | | | | | | | | | | | | | | | | | | | | | | |
| 100pF(101) | | | | | | | | | | | | | | | | | | | | | | | | | |
| 220pF(221) | | | | | | | | | | | | | | | | | | | | | | | | | |
| 330pF(331) | | | | | | | | | | | | | | | | | | | | | | | | | |
| 470pF(471) | | | | | | | | | | | | | | | | | | | | | | | | | |
| 560pF(561) | | | | | | | | | | | | | | | | | | | | | | | | | |
| 680pF(681) | | | | | | | | | | | | | | | | | | | | | | | | | |
| 1000pF(102) | | | | | | | | | | | | | | | | | | | | | | | | | |
| 1500pF(152) | | | | | | | | | | | | | | | | | | | | | | | | | |
| 2200pF(222) | | | | | | | | | | | | | | | | | | | | | | | | | |
| 2700pF(272) | | | | | | | | | | | | | | | | | | | | | | | | | |
| 3300pF(332) | | | | | | | | | | | | | | | | | | | | | | | | | |
| 4700pF(472) | | | | | | | | | | | | | | | | | | | | | | | | | |
| 5600pF(562) | | | | | | | | | | | | | | | | | | | | | | | | | |
| 6800pF(682) | | | | | | | | | | | | | | | | | | | | | | | | | |
| 10000pF(103) | | | | | | | | | | | | | | | | | | | | | | | | | |
| 15000pF(153) | | | | | | | | | | | | | | | | | | | | | | | | | |
| 22000pF(223) | | | | | | | | | | | | | | | | | | | | | | | | | |
| 33000pF(333) | | | | | | | | | | | | | | | | | | | | | | | | | |
| 47000pF(473) | | | | | | | | | | | | | | | | | | | | | | | | | |
| 68000pF(683) | | | | | | | | | | | | | | | | | | | | | | | | | |
| 0.1μF(104) | | | | | | | | | | | | | | | | | | | | | | | | | |
| 0.15μF(154) | | | | | | | | | | | | | | | | | | | | | | | | | |
| 0.22μF(224) | | | | | | | | | | | | | | | | | | | | | | | | | |
| 0.33μF(334) | | | | | | | | | | | | | | | | | | | | | | | | | |
| 0.47μF(474) | | | | | | | | | | | | | | | | | | | | | | | | | |
| 0.68μF(684) | | | | | | | | | | | | | | | | | | | | | | | | | |
| 1.0μF(105) | | | | | | | | | | | | | | | | | | | | | | | | | |
| 2.2μF(225) | | | | | | | | | | | | | | | | | | | | | | | | | |

High voltage type

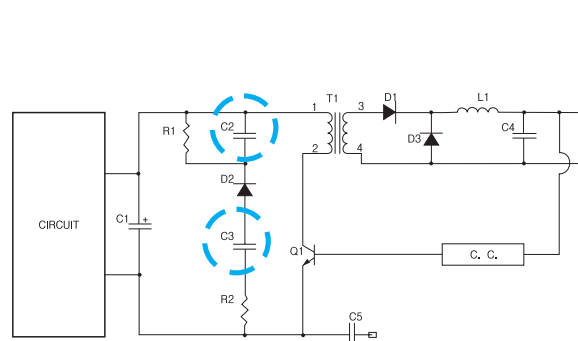
X7R-High Dielectric Type

| Type | X7R | | | | | | | | | | | | | | | | | | | | | | | | |
|--------------|------------|-----|------------|-----|------------|-----|-----|------|------------|-----|-----|-----|------------|------|-----|-----|------------|------|------|------|-----|-----|-----|------|------|
| | 1608(0603) | | 2012(0805) | | 3216(1206) | | | | 3225(1210) | | | | 4520(1808) | | | | 4532(1812) | | | | | | | | |
| | 100 | 250 | 100 | 250 | 100 | 250 | 630 | 1000 | 2000 | 100 | 250 | 630 | 1000 | 2000 | 100 | 250 | 630 | 1000 | 2000 | 3000 | 100 | 250 | 630 | 1000 | 2000 |
| 220pF(221) | | | | | | | | | | | | | | | | | | | | | | | | | |
| 330pF(331) | | | | | | | | | | | | | | | | | | | | | | | | | |
| 470pF(471) | | | | | | | | | | | | | | | | | | | | | | | | | |
| 680pF(681) | | | | | | | | | | | | | | | | | | | | | | | | | |
| 1000pF(102) | | | | | | | | | | | | | | | | | | | | | | | | | |
| 1500pF(152) | | | | | | | | | | | | | | | | | | | | | | | | | |
| 2200pF(222) | | | | | | | | | | | | | | | | | | | | | | | | | |
| 3300pF(332) | | | | | | | | | | | | | | | | | | | | | | | | | |
| 4700pF(472) | | | | | | | | | | | | | | | | | | | | | | | | | |
| 5600pF(562) | | | | | | | | | | | | | | | | | | | | | | | | | |
| 6800pF(682) | | | | | | | | | | | | | | | | | | | | | | | | | |
| 10000pF(103) | | | | | | | | | | | | | | | | | | | | | | | | | |
| 15000pF(153) | | | | | | | | | | | | | | | | | | | | | | | | | |
| 18000pF(183) | | | | | | | | | | | | | | | | | | | | | | | | | |
| 22000pF(223) | | | | | | | | | | | | | | | | | | | | | | | | | |
| 33000pF(333) | | | | | | | | | | | | | | | | | | | | | | | | | |
| 47000pF(473) | | | | | | | | | | | | | | | | | | | | | | | | | |
| 68000pF(683) | | | | | | | | | | | | | | | | | | | | | | | | | |
| 0.1μF(104) | | | | | | | | | | | | | | | | | | | | | | | | | |
| 0.15μF(154) | | | | | | | | | | | | | | | | | | | | | | | | | |
| 0.22μF(224) | | | | | | | | | | | | | | | | | | | | | | | | | |
| 0.33μF(334) | | | | | | | | | | | | | | | | | | | | | | | | | |
| 0.47μF(474) | | | | | | | | | | | | | | | | | | | | | | | | | |
| 0.68μF(684) | | | | | | | | | | | | | | | | | | | | | | | | | |
| 1.0μF(105) | | | | | | | | | | | | | | | | | | | | | | | | | |
| 2.2μF(225) | | | | | | | | | | | | | | | | | | | | | | | | | |

High voltage type

Application(Typical circuit)

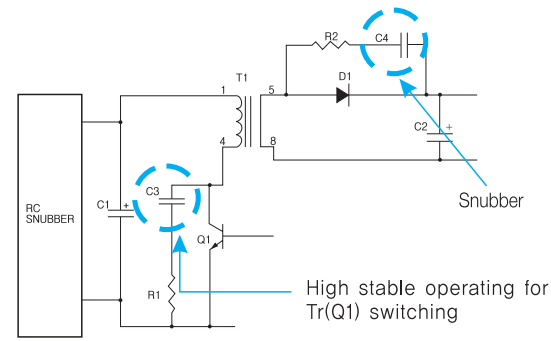
DC-DC Converter



High stable operating for Tr(Q1) switching

C2 : X7R ; 250V 10nF~47nF
C3 : COG ; 630V 47pF~100pF

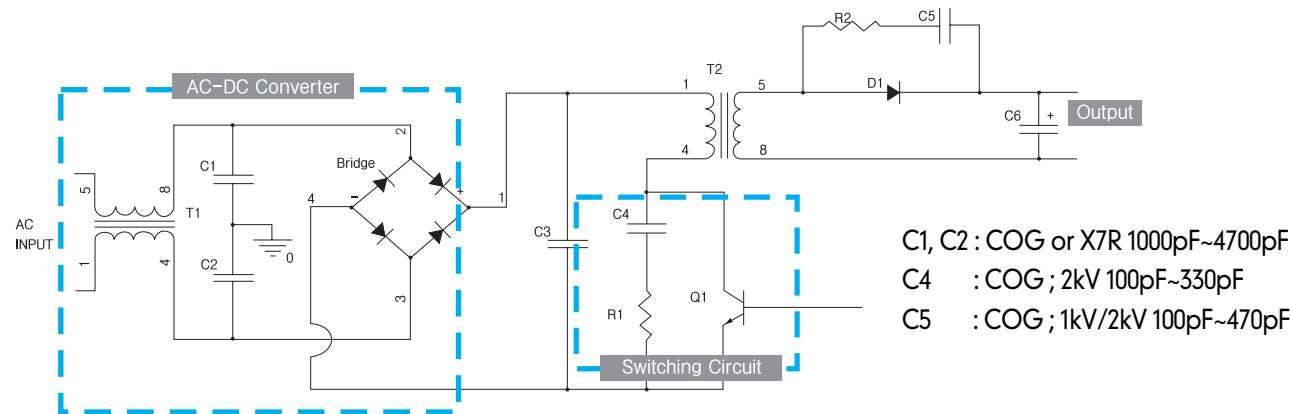
Switching Power Supply



High stable operating for Tr(Q1) switching

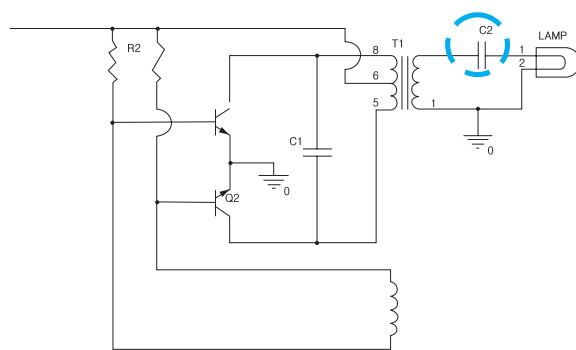
C3 : COG, X7R ; 2kV 100pF~1000pF
C4 : COG, X7R ; 2kV 100pF~1000pF

Primary circuit and Snubber switching power supply



C1, C2 : COG or X7R 1000pF~4700pF
C4 : COG ; 2kV 100pF~330pF
C5 : COG ; 1kV/2kV 100pF~470pF

LCD back light Inverter



C2 : COG ; 3kV 10 ~100pF

Caution(Rating)

1. Operating Voltage

When DC-rated capacitors are to be used in AC or ripple current circuits, be sure to maintain the Vp-p Value of the applied voltage or the Vo-p which contains DC bias within the rated voltage range.

When the voltage is applied to the circuit, starting or stopping may generate irregular voltage for a transit period because of resonance or switching. Be sure to use a capacitor with a rated voltage range that includes these irregular voltages.

| Voltage | DV Voltage | DC+AC Voltage | AC Voltage | Pulse Voltage(1) | Pulse Voltage(2) |
|------------------------|------------|---------------|------------|------------------|------------------|
| Positional Measurement | | | | | |

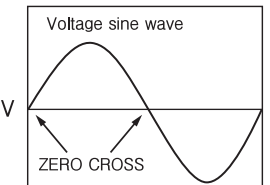
2. Test condition for AC withstanding Voltage

(1) Test Equipment

Tests for AC withstanding voltage should be made with equipment capable of creating a wave similar to a 50/60 Hz sine wave. If the distorted sine wave or overload exceeding the specified voltage value is applied, a defect may be caused.

(2) Voltage applied method

The capacitor's leads or terminals should be firmly connected to the output of the withstanding voltage test equipment, and then the voltage should be raised from near zero to the test voltage. If the test voltage is applied directly to the capacitor without raising it from near zero, it should be applied with the *zero cross. At the end of the test time, the test voltage should be reduced to near zero, and then the capacitor's leads or terminals should be taken off the output of the withstanding voltage test equipment. If the test voltage is applied directly to the capacitor without raising it from near zero, surge voltage may occur and cause a defect. *ZERO CROSS is the point where voltage sine wave



(3) Dielectric strength testing method

In case of dielectric strength test, the capacitor's is applied between the terminations for 1 to 5 sec., provided the charge/discharge current is less than 50mA.

3. Soldering

If a chip component is heated or cooled abruptly during soldering, it may crack due to the thermal shock. To prevent this, follow our recommendations below for adequate soldering conditions. Carefully perform preheating so that temperature difference (ΔT) between the solder and component surface is in the following range. The smaller the temperatures difference (ΔT) between the solder and component surface is, the smaller the influence on the chip is.

| Slodering Method | Chip Size | 3.2×1.6mm and under | 3.2×2.5mm and over |
|------------------|--|---------------------|-------------------------------------|
| | Reflow Method or Soldering Iron Method | | $\Delta T \leq 190^{\circ}\text{C}$ |

SAMWHA CAPACITOR CO., LTD offers a line of MLCC(Multilayer Ceramic Capacitor). These parts are rated at 3kV dc and safety approved and certified to UL (Underwriters Laboratories Inc. ®)

UL ONLINE CERTIFICATIONS DIRECTORY
OCD Home Quick Guide Contact Us UL.com

NWG08.E304146
Information Technology Equipment Including Electrical Business Equipment Certified for Canada - Component


[Page Bottom](#)


Information Technology Equipment Including Electrical Business Equipment Certified for Canada - Component

See General Information for Information Technology Equipment Including Electrical Business Equipment Certified for Canada - Component

SAMWHA CAPACITOR CO LTD E304146
 124 BUK-RI
 NAMSA-MYEUN
 YONGIN-SHI, KYONGGI-DO 449-880 REPUBLIC OF KOREA

Component Recognition, Model(s) CS45XXYYTTTA302NRE.



Marking: Company name, model designation and Recognized Component Mark for Canada,  .
Last Updated on 2006-04-28

Copyright © 2006 Underwriters Laboratories Inc.®

The appearance of a company's name or product in this database does not in itself assure that products so identified have been manufactured under UL's Follow-Up Service. Only those products bearing the UL Mark should be considered to be Listed and covered under UL's Follow-Up Service. Always look for the Mark on the product.

UL permits the reproduction of the material contained in the Online Certification Directory subject to the following conditions: 1. The Guide Information, Designs and/or Listings (files) must be presented in their entirety and in a non-misleading manner, without any manipulation of the data (or drawings). 2. The statement "Reprinted from the Online Certifications Directory with permission from Underwriters Laboratories Inc." must appear adjacent to the extracted material. In addition, the reprinted material must include a copyright notice in the following format: "Copyright © 2006 Underwriters Laboratories Inc.®"

Reliability and Test Conditions(General Type)

| No. | Item | Characteristic | | Test Methods and Conditions | | | | | | | | | | | | | | | | | | | | | | | | | | | | | | | | | | | | | | | | | | | | | |
|------------------------------------|--|--|--|---|---|----------|-----|-----|------|------|--------|--------|--------|--------|------|------|-------|-------|-------|--------|--------|--------|------|------|------|---------|---------|------|-------|-------|----------|----------|--------|---|------|-------------------|-----------------|------------------|------------|--------------|------------------|------------|-------------|------------------------------------|------------|-------------|--------------------------|------------|---------------|
| | | Temperature Compensating Type | High Dielectric Constant Type | | | | | | | | | | | | | | | | | | | | | | | | | | | | | | | | | | | | | | | | | | | | | | |
| 1 | Operating Temperature Range | C0G : -55 to +125°C | X7R : -55 to +125°C X5R : -55 to +85°C Y5V : -30 to +85°C | | | | | | | | | | | | | | | | | | | | | | | | | | | | | | | | | | | | | | | | | | | | | | |
| 2 | Insulation Resistance | More than 10,000MΩ or 500ΩF (Whichever is smaller) | | - Applied the rated voltage for 2 minutes of charging. - The charge/discharge current is less than 50mA. | | | | | | | | | | | | | | | | | | | | | | | | | | | | | | | | | | | | | | | | | | | | | |
| 3 | Dielectric Strength | No defects or abnormalities | | - C0G : The rated voltage × 300% - X7R, X5R, Y5V : " × 250% - Applied between the terminations for 1 to 5 seconds. - The charge/discharge current is less than 50mA. | | | | | | | | | | | | | | | | | | | | | | | | | | | | | | | | | | | | | | | | | | | | | |
| 4 | Capacitance | Within the specified tolerance | | | | | | | | | | | | | | | | | | | | | | | | | | | | | | | | | | | | | | | | | | | | | | | |
| 5 | Dissipation Factor | 30pF Min. : Q ≥ 1,000 (DF ≤ 0.1%) 30pF Max. : Q ≥ 400+20C (DF ≤ 1/(400+20C)) | <table border="1"> <thead> <tr> <th>Char.</th> <th>50V Min.</th> <th>25V</th> <th>16V</th> <th>10V</th> <th>6.3V</th> </tr> </thead> <tbody> <tr> <td>X7R</td> <td>≤2.5%/</td> <td>≤3%/</td> <td>≤3.5%/</td> <td>≤5%/</td> <td>≤5%/</td> </tr> <tr> <td>X5R</td> <td>* ≤5%</td> <td>* ≤7%</td> <td>* ≤7%</td> <td>* ≤10%</td> <td>* ≤10%</td> </tr> <tr> <td>Y5V</td> <td>≤5%/</td> <td>≤7%/</td> <td>≤9%</td> <td>≤12.5%/</td> <td>≤15%</td> </tr> <tr> <td></td> <td>* ≤9%</td> <td>* ≤9%</td> <td>* ≤12.5%</td> <td>* ≤15%</td> <td></td> </tr> </tbody> </table> <p>* You can check the specification at the appendix for each product with mark</p> | Char. | 50V Min. | 25V | 16V | 10V | 6.3V | X7R | ≤2.5%/ | ≤3%/ | ≤3.5%/ | ≤5%/ | ≤5%/ | X5R | * ≤5% | * ≤7% | * ≤7% | * ≤10% | * ≤10% | Y5V | ≤5%/ | ≤7%/ | ≤9% | ≤12.5%/ | ≤15% | | * ≤9% | * ≤9% | * ≤12.5% | * ≤15% | | <table border="1"> <thead> <tr> <th>Cap.</th> <th>Testing Frequency</th> <th>Testing Voltage</th> </tr> </thead> <tbody> <tr> <td>C0G (C ≤ 1000pF)</td> <td>1 ± 0.1MHz</td> <td>0.5 to 5Vrms</td> </tr> <tr> <td>C0G (C > 1000pF)</td> <td>1 ± 0.1kHz</td> <td>1 ± 0.2Vrms</td> </tr> <tr> <td>X7R, X5R, Y5V (C ≤ 10μF 6.3V Min.)</td> <td>1 ± 0.1kHz</td> <td>1 ± 0.2Vrms</td> </tr> <tr> <td>X7R, X5R, Y5V (C > 10μF)</td> <td>120 ± 24Hz</td> <td>0.5 ± 0.1Vrms</td> </tr> </tbody> </table> <p>The capacitance/Q/D.F. should be measured at 25°C at the frequency and voltage shown in the table.</p> | Cap. | Testing Frequency | Testing Voltage | C0G (C ≤ 1000pF) | 1 ± 0.1MHz | 0.5 to 5Vrms | C0G (C > 1000pF) | 1 ± 0.1kHz | 1 ± 0.2Vrms | X7R, X5R, Y5V (C ≤ 10μF 6.3V Min.) | 1 ± 0.1kHz | 1 ± 0.2Vrms | X7R, X5R, Y5V (C > 10μF) | 120 ± 24Hz | 0.5 ± 0.1Vrms |
| Char. | 50V Min. | 25V | 16V | 10V | 6.3V | | | | | | | | | | | | | | | | | | | | | | | | | | | | | | | | | | | | | | | | | | | | |
| X7R | ≤2.5%/ | ≤3%/ | ≤3.5%/ | ≤5%/ | ≤5%/ | | | | | | | | | | | | | | | | | | | | | | | | | | | | | | | | | | | | | | | | | | | | |
| X5R | * ≤5% | * ≤7% | * ≤7% | * ≤10% | * ≤10% | | | | | | | | | | | | | | | | | | | | | | | | | | | | | | | | | | | | | | | | | | | | |
| Y5V | ≤5%/ | ≤7%/ | ≤9% | ≤12.5%/ | ≤15% | | | | | | | | | | | | | | | | | | | | | | | | | | | | | | | | | | | | | | | | | | | | |
| | * ≤9% | * ≤9% | * ≤12.5% | * ≤15% | | | | | | | | | | | | | | | | | | | | | | | | | | | | | | | | | | | | | | | | | | | | | |
| Cap. | Testing Frequency | Testing Voltage | | | | | | | | | | | | | | | | | | | | | | | | | | | | | | | | | | | | | | | | | | | | | | | |
| C0G (C ≤ 1000pF) | 1 ± 0.1MHz | 0.5 to 5Vrms | | | | | | | | | | | | | | | | | | | | | | | | | | | | | | | | | | | | | | | | | | | | | | | |
| C0G (C > 1000pF) | 1 ± 0.1kHz | 1 ± 0.2Vrms | | | | | | | | | | | | | | | | | | | | | | | | | | | | | | | | | | | | | | | | | | | | | | | |
| X7R, X5R, Y5V (C ≤ 10μF 6.3V Min.) | 1 ± 0.1kHz | 1 ± 0.2Vrms | | | | | | | | | | | | | | | | | | | | | | | | | | | | | | | | | | | | | | | | | | | | | | | |
| X7R, X5R, Y5V (C > 10μF) | 120 ± 24Hz | 0.5 ± 0.1Vrms | | | | | | | | | | | | | | | | | | | | | | | | | | | | | | | | | | | | | | | | | | | | | | | |
| 6 | Solderability of Termination | Termination should be covered with more than 75% of new solder | | - Pb-Free Type Solder : 96.5Sn-3Ag-0.5Cu Solder Temperature : 260 ± 5°C Immersion Time : 3 ± 0.1sec - Pre-Heating at 80~120°C for 10~30sec | | | | | | | | | | | | | | | | | | | | | | | | | | | | | | | | | | | | | | | | | | | | | |
| 7 | Resistance to Soldering Heat | Appearance | No marked defect | | - Preheat the capacitor at 120 to 150°C for 1 minute. (Preheating for 3225, 4520, 4532 Step1 : 100°C to 120°C, 1min Step2 : 170°C to 200°C, 1min) Immerse the capacitor in a eutectic solder solution - Soldering Temp. : 260 ± 5°C - Immersion Time : 10 ± 0.5sec - Initial measurement Perform a heat treatment at 150±0, -10°C for one hour and then let sit for 48 ± 4 hours at room temperature. Perform the initial measurement. - Measurement after test Take it out and set it for 24 ± 2 hours (temperature compensating type) or 48 ± 4 hours (high dielectric constant type) then measure | | | | | | | | | | | | | | | | | | | | | | | | | | | | | | | | | | | | | | | | | | | | |
| | | Capacitance change | Within ±2.5% or ±0.25pF (whichever is larger) | X7R, X5R : ≤ ±7.5% Y5V : ≤ ±20% | | | | | | | | | | | | | | | | | | | | | | | | | | | | | | | | | | | | | | | | | | | | | |
| | Dissipation Factor (or Q) | 30pF Min. : Q ≥ 1,000 (DF ≤ 0.1%) 30pF Max. : Q ≥ 400+20C (DF ≤ 1/(400+20C)) | <table border="1"> <thead> <tr> <th>Char.</th> <th>50V Min.</th> <th>25V</th> <th>16V</th> <th>10V</th> <th>6.3V</th> </tr> </thead> <tbody> <tr> <td>X7R</td> <td>≤2.5%/</td> <td>≤3%/</td> <td>≤3.5%/</td> <td>≤5%/</td> <td>≤5%/</td> </tr> <tr> <td>X5R</td> <td>* ≤5%</td> <td>* ≤7%</td> <td>* ≤7%</td> <td>* ≤10%</td> <td>* ≤10%</td> </tr> <tr> <td>Y5V</td> <td>≤5%/</td> <td>≤7%/</td> <td>≤9%</td> <td>≤12.5%/</td> <td>≤15%</td> </tr> <tr> <td></td> <td>* ≤9%</td> <td>* ≤9%</td> <td>* ≤12.5%</td> <td>* ≤15%</td> <td></td> </tr> </tbody> </table> | Char. | | 50V Min. | 25V | 16V | 10V | 6.3V | X7R | ≤2.5%/ | ≤3%/ | ≤3.5%/ | ≤5%/ | ≤5%/ | X5R | * ≤5% | * ≤7% | * ≤7% | * ≤10% | * ≤10% | Y5V | ≤5%/ | ≤7%/ | ≤9% | ≤12.5%/ | ≤15% | | * ≤9% | * ≤9% | * ≤12.5% | * ≤15% | | | | | | | | | | | | | | | | |
| Char. | 50V Min. | 25V | 16V | 10V | 6.3V | | | | | | | | | | | | | | | | | | | | | | | | | | | | | | | | | | | | | | | | | | | | |
| X7R | ≤2.5%/ | ≤3%/ | ≤3.5%/ | ≤5%/ | ≤5%/ | | | | | | | | | | | | | | | | | | | | | | | | | | | | | | | | | | | | | | | | | | | | |
| X5R | * ≤5% | * ≤7% | * ≤7% | * ≤10% | * ≤10% | | | | | | | | | | | | | | | | | | | | | | | | | | | | | | | | | | | | | | | | | | | | |
| Y5V | ≤5%/ | ≤7%/ | ≤9% | ≤12.5%/ | ≤15% | | | | | | | | | | | | | | | | | | | | | | | | | | | | | | | | | | | | | | | | | | | | |
| | * ≤9% | * ≤9% | * ≤12.5% | * ≤15% | | | | | | | | | | | | | | | | | | | | | | | | | | | | | | | | | | | | | | | | | | | | | |
| I.R. | More than 10,000MΩ or 500Ω, F (Whichever is smaller) | | | | | | | | | | | | | | | | | | | | | | | | | | | | | | | | | | | | | | | | | | | | | | | | |

| No. | Item | Characteristic | | | | | Test Methods and Conditions | | | | | | | | | | | | | | | | | | | | | | | | | | | | |
|--------------------|---|--|---|-----------------------------|------------|-----|-----------------------------|---|------|------|------|------|------|------------|-----------------------------|------------|-----------------------------|------------|------------|----------|----------|----------|--------|--------|---------|---------|-------|------|----------|----------|----------|--------|--------|--|--|
| | | Temperature Compensating Type | High Dielectric Constant Type | | | | | | | | | | | | | | | | | | | | | | | | | | | | | | | | |
| 8 | Temperature Cycle | Appearance | No marking defects | | | | | Perform the five cycles according to the four heat treatments listed in the following table. <table border="1"> <thead> <tr> <th>Step</th> <th>1</th> <th>2</th> <th>3</th> <th>4</th> </tr> </thead> <tbody> <tr> <td>Temp. (°C)</td> <td>Min. Operating Temp. +0, -3</td> <td>Room Temp.</td> <td>Max. Operating Temp. +3, -0</td> <td>Room Temp.</td> </tr> <tr> <td>Time (Min)</td> <td>30±3</td> <td>2 to 3</td> <td>30±3</td> <td>2 to 3</td> </tr> </tbody> </table> - Initial measurement Perform a heat treatment at 150+0, -10°C for one hour and then let sit for 48±4 hours at room temperature. - Measurement after test Take it out and set it for 24±2 hours (temperature compensating) or 48±4 hours (high dielectric constant type) at room temperature, then measure. | Step | 1 | 2 | 3 | 4 | Temp. (°C) | Min. Operating Temp. +0, -3 | Room Temp. | Max. Operating Temp. +3, -0 | Room Temp. | Time (Min) | 30±3 | 2 to 3 | 30±3 | 2 to 3 | | | | | | | | | | | | |
| | Step | 1 | 2 | 3 | 4 | | | | | | | | | | | | | | | | | | | | | | | | | | | | | | |
| | Temp. (°C) | Min. Operating Temp. +0, -3 | Room Temp. | Max. Operating Temp. +3, -0 | Room Temp. | | | | | | | | | | | | | | | | | | | | | | | | | | | | | | |
| Time (Min) | 30±3 | 2 to 3 | 30±3 | 2 to 3 | | | | | | | | | | | | | | | | | | | | | | | | | | | | | | | |
| Capacitance Change | Within ±2.5% or ±0.25pF (whichever is larger) | X7R, X5R : Within ±7.5% Y5V : Within ±20% | | | | | | | | | | | | | | | | | | | | | | | | | | | | | | | | | |
| | Dissipation Factor (or Q) | 30pF Min. : Q ≥ 1,000 (DF ≤ 0.1%) 30pF Max. : Q ≥ 400+20C (DF ≤ 1/(400+20C)) | <table border="1"> <thead> <tr> <th>Char.</th> <th>50V Min.</th> <th>25V</th> <th>16V</th> <th>10V</th> <th>6.3V</th> </tr> </thead> <tbody> <tr> <td>X7R</td> <td>≤5%/</td> <td>≤5%/</td> <td>≤5%/</td> <td>≤7.5%/</td> <td>≤7.5%/</td> </tr> <tr> <td>X5R</td> <td>*≤7.5%/</td> <td>*≤10%/</td> <td>*≤10%/</td> <td>*≤12.5%/</td> <td>*≤12.5%/</td> </tr> <tr> <td>Y5V</td> <td>≤7.5%/</td> <td>≤10%/</td> <td>≤12.5%/</td> <td>≤15%/</td> <td>≤20%</td> </tr> <tr> <td></td> <td>*≤12.5%/</td> <td>*≤12.5%/</td> <td>*≤15%/</td> <td>*≤20%/</td> <td></td> </tr> </tbody> </table> | Char. | 50V Min. | 25V | 16V | 10V | 6.3V | X7R | ≤5%/ | ≤5%/ | ≤5%/ | ≤7.5%/ | ≤7.5%/ | X5R | *≤7.5%/ | *≤10%/ | *≤10%/ | *≤12.5%/ | *≤12.5%/ | Y5V | ≤7.5%/ | ≤10%/ | ≤12.5%/ | ≤15%/ | ≤20% | | *≤12.5%/ | *≤12.5%/ | *≤15%/ | *≤20%/ | | | |
| Char. | 50V Min. | 25V | 16V | 10V | 6.3V | | | | | | | | | | | | | | | | | | | | | | | | | | | | | | |
| X7R | ≤5%/ | ≤5%/ | ≤5%/ | ≤7.5%/ | ≤7.5%/ | | | | | | | | | | | | | | | | | | | | | | | | | | | | | | |
| X5R | *≤7.5%/ | *≤10%/ | *≤10%/ | *≤12.5%/ | *≤12.5%/ | | | | | | | | | | | | | | | | | | | | | | | | | | | | | | |
| Y5V | ≤7.5%/ | ≤10%/ | ≤12.5%/ | ≤15%/ | ≤20% | | | | | | | | | | | | | | | | | | | | | | | | | | | | | | |
| | *≤12.5%/ | *≤12.5%/ | *≤15%/ | *≤20%/ | | | | | | | | | | | | | | | | | | | | | | | | | | | | | | | |
| | I.R. | More than 10,000MΩ or 500Ω, F (Whichever is smaller) | | | | | | | | | | | | | | | | | | | | | | | | | | | | | | | | | |
| 9 | Humidity Load | Appearance | No marking defects | | | | | - Temperature : 40±2°C - Humidity : 90~95% - Hour : 500±12hrs - Test Voltage : The rated voltage - Take it out and set it for 24±2 hours (temperature compensating) or 48±4 hours (high dielectric constant type) at room temperature, then measure. The charge/discharge current is less than 50mA | | | | | | | | | | | | | | | | | | | | | | | | | | | |
| | Capacitance Change | Within ±7.5% or ±0.75pF (whichever is larger) | X7R, X5R : Within ±12.5% Y5V : Within +30%, -40% (Y5V/1.0μF, 2.2μF, 4.7μF/10V) Within ±30% (others) | | | | | | | | | | | | | | | | | | | | | | | | | | | | | | | | |
| | Dissipation Factor (or Q) | 30pF Min. : Q ≥ 200 (DF ≤ 0.5%) 30pF Max. : Q ≥ 100 +10/3C (DF ≤ 1/(100+10/3C)) | <table border="1"> <thead> <tr> <th>Char.</th> <th>50V Min.</th> <th>25V</th> <th>16V</th> <th>10V</th> <th>6.3V</th> </tr> </thead> <tbody> <tr> <td>X7R</td> <td>≤5%/</td> <td>≤5%/</td> <td>≤5%/</td> <td>≤7.5%/</td> <td>≤7.5%/</td> </tr> <tr> <td>X5R</td> <td>*≤7.5%/</td> <td>*≤10%/</td> <td>*≤10%/</td> <td>*≤12.5%/</td> <td>*≤12.5%/</td> </tr> <tr> <td>Y5V</td> <td>≤7.5%/</td> <td>≤10%/</td> <td>≤12.5%/</td> <td>≤15%/</td> <td>≤20%</td> </tr> <tr> <td></td> <td>*≤12.5%/</td> <td>*≤12.5%/</td> <td>*≤15%/</td> <td>*≤20%/</td> <td></td> </tr> </tbody> </table> | Char. | 50V Min. | 25V | 16V | | 10V | 6.3V | X7R | ≤5%/ | ≤5%/ | ≤5%/ | ≤7.5%/ | ≤7.5%/ | X5R | *≤7.5%/ | *≤10%/ | *≤10%/ | *≤12.5%/ | *≤12.5%/ | Y5V | ≤7.5%/ | ≤10%/ | ≤12.5%/ | ≤15%/ | ≤20% | | *≤12.5%/ | *≤12.5%/ | *≤15%/ | *≤20%/ | | |
| Char. | 50V Min. | 25V | 16V | 10V | 6.3V | | | | | | | | | | | | | | | | | | | | | | | | | | | | | | |
| X7R | ≤5%/ | ≤5%/ | ≤5%/ | ≤7.5%/ | ≤7.5%/ | | | | | | | | | | | | | | | | | | | | | | | | | | | | | | |
| X5R | *≤7.5%/ | *≤10%/ | *≤10%/ | *≤12.5%/ | *≤12.5%/ | | | | | | | | | | | | | | | | | | | | | | | | | | | | | | |
| Y5V | ≤7.5%/ | ≤10%/ | ≤12.5%/ | ≤15%/ | ≤20% | | | | | | | | | | | | | | | | | | | | | | | | | | | | | | |
| | *≤12.5%/ | *≤12.5%/ | *≤15%/ | *≤20%/ | | | | | | | | | | | | | | | | | | | | | | | | | | | | | | | |
| | I.R. | More than 500MΩ or 25Ω, F (Whichever is smaller) | | | | | | | | | | | | | | | | | | | | | | | | | | | | | | | | | |
| 10 | High Temperature Load | Appearance | No marking defects | | | | | - Testing time : 1000±12hrs - Applied voltage : Rated voltage < DC250V : ×200% - Temperature : COG, X7R → 125±3°C X5R, Y5V → 85±3°C - Measurement after test Take it out and set it for 24±2 hours (temperature compensating type) or 48±4 hours (high dielectric constant type) at room temperature, then measure. The charge/discharge current is less than 50mA. | | | | | | | | | | | | | | | | | | | | | | | | | | | |
| | Capacitance Change | Within ±3% or ±0.3pF (whichever is larger) | X7R, X5R : Within ±12.5% Y5V : Within ±30% (Cap. < 1.0μF) Within +30%, -40% (Cap. ≥ 1.0μF) | | | | | | | | | | | | | | | | | | | | | | | | | | | | | | | | |
| | Dissipation Factor (or Q) | 30pF Min. : Q ≥ 350 (DF ≤ 0.3%) 10pF ≤ Cp ≤ 30pF : Q ≥ 275 +5/2C (DF ≤ 1/(275+5/2C)) 10pF Max. : Q ≥ 200+10C (DF ≤ 1/(200+10C)) | <table border="1"> <thead> <tr> <th>Char.</th> <th>50V Min.</th> <th>25V</th> <th>16V</th> <th>10V</th> <th>6.3V</th> </tr> </thead> <tbody> <tr> <td>X7R</td> <td>≤5%/</td> <td>≤5%/</td> <td>≤5%/</td> <td>≤7.5%/</td> <td>≤7.5%/</td> </tr> <tr> <td>X5R</td> <td>*≤7.5%/</td> <td>*≤10%/</td> <td>*≤10%/</td> <td>*≤12.5%/</td> <td>*≤12.5%/</td> </tr> <tr> <td>Y5V</td> <td>≤7.5%/</td> <td>≤10%/</td> <td>≤12.5%/</td> <td>≤15%/</td> <td>≤20%</td> </tr> <tr> <td></td> <td>*≤12.5%/</td> <td>*≤12.5%/</td> <td>*≤15%/</td> <td>*≤20%/</td> <td></td> </tr> </tbody> </table> | Char. | 50V Min. | 25V | 16V | | 10V | 6.3V | X7R | ≤5%/ | ≤5%/ | ≤5%/ | ≤7.5%/ | ≤7.5%/ | X5R | *≤7.5%/ | *≤10%/ | *≤10%/ | *≤12.5%/ | *≤12.5%/ | Y5V | ≤7.5%/ | ≤10%/ | ≤12.5%/ | ≤15%/ | ≤20% | | *≤12.5%/ | *≤12.5%/ | *≤15%/ | *≤20%/ | | |
| Char. | 50V Min. | 25V | 16V | 10V | 6.3V | | | | | | | | | | | | | | | | | | | | | | | | | | | | | | |
| X7R | ≤5%/ | ≤5%/ | ≤5%/ | ≤7.5%/ | ≤7.5%/ | | | | | | | | | | | | | | | | | | | | | | | | | | | | | | |
| X5R | *≤7.5%/ | *≤10%/ | *≤10%/ | *≤12.5%/ | *≤12.5%/ | | | | | | | | | | | | | | | | | | | | | | | | | | | | | | |
| Y5V | ≤7.5%/ | ≤10%/ | ≤12.5%/ | ≤15%/ | ≤20% | | | | | | | | | | | | | | | | | | | | | | | | | | | | | | |
| | *≤12.5%/ | *≤12.5%/ | *≤15%/ | *≤20%/ | | | | | | | | | | | | | | | | | | | | | | | | | | | | | | | |
| | I.R. | More than 10,000MΩ or 50Ω, F (Whichever & Smaller) | | | | | | | | | | | | | | | | | | | | | | | | | | | | | | | | | |

| No. | Item | Characteristic | | | | | Test Methods and Conditions | | | | | | | | | | | | | | | | | | | | | | | | | | | |
|-------|-----------------------|--|--|---|----------|----------|---|--|-----|-----|------|-----|--------|------|--------|--------|--------|-----|---------|--------|--------|----------|----------|-----|--------|-------|---------|---------|-------|--|----------|----------|----------|--------|
| | | Temperature Compensating Type | High Dielectric Constant Type | | | | | | | | | | | | | | | | | | | | | | | | | | | | | | | |
| 11 | Bending Strength | <p>No cracking or marking defects shall occur</p> | | | | | - Substrate Material : Glass EPOXY Board - Board Thickness : 1.6mm 0.8mm (0603/1005size) ※ Test Condition - Bending Limit : 1mm - Pressurizing Speed : 1mm/sec | | | | | | | | | | | | | | | | | | | | | | | | | | | |
| | | Capacitance Change | Within ±5% or ±0.5pF (whichever is larger) | X7R, X5R : Within ±12.5% Y5V : Within ±30% | | | | | | | | | | | | | | | | | | | | | | | | | | | | | | |
| 12 | Vibration Resistance | Appearance | No defects or abnormalities | | | | | * Shown in Fig. After soldering and then let sit for 24+4hr (temperature compensating type), 48±4hr (high dielectric constant type) at room temperature. The capacitor should be subjected to a simple harmonic motion having a total amplitude of 1.5mm, the frequency being varied uniformly between the approximate limits of 10 and 55Hz, shall be traversed (from 10Hz to 55Hz then 10Hz again) in approximately 1 minute. This motion shall be applied for a period of 2 hours in each 3 mutually perpendicular directions (total is 6 hours). | | | | | | | | | | | | | | | | | | | | | | | | | | |
| | | Capacitance | Whin the specified tolerance | | | | | | | | | | | | | | | | | | | | | | | | | | | | | | | |
| | | Q/DF | 30pF Min. : Q 1,000 (DF 0.1%) 30pF Max. : Q 400+20C (DF 1/ (400+20C)) | <table border="1"> <thead> <tr> <th>Char.</th> <th>50V Min.</th> <th>25V</th> <th>16V</th> <th>10V</th> <th>6.3V</th> </tr> </thead> <tbody> <tr> <td>X7R</td> <td>≤2.5%/</td> <td>≤3%/</td> <td>≤3.5%/</td> <td>≤5%/</td> <td>≤5%/</td> </tr> <tr> <td>X5R</td> <td>*≤5%/</td> <td>*≤7%/</td> <td>*≤7%/</td> <td>*≤10%/</td> <td>*≤10%/</td> </tr> <tr> <td>Y5V</td> <td>≤5%/</td> <td>≤7%/</td> <td>≤9%/</td> <td>≤12.5%/</td> <td>≤15%/</td> </tr> <tr> <td></td> <td>*≤9%/</td> <td>*≤9%/</td> <td>*≤12.5%/</td> <td>*≤15%/</td> <td></td> </tr> </tbody> </table> | Char. | 50V Min. | 25V | | 16V | 10V | 6.3V | X7R | ≤2.5%/ | ≤3%/ | ≤3.5%/ | ≤5%/ | ≤5%/ | X5R | *≤5%/ | *≤7%/ | *≤7%/ | *≤10%/ | *≤10%/ | Y5V | ≤5%/ | ≤7%/ | ≤9%/ | ≤12.5%/ | ≤15%/ | | *≤9%/ | *≤9%/ | *≤12.5%/ | *≤15%/ |
| Char. | 50V Min. | 25V | 16V | 10V | 6.3V | | | | | | | | | | | | | | | | | | | | | | | | | | | | | |
| X7R | ≤2.5%/ | ≤3%/ | ≤3.5%/ | ≤5%/ | ≤5%/ | | | | | | | | | | | | | | | | | | | | | | | | | | | | | |
| X5R | *≤5%/ | *≤7%/ | *≤7%/ | *≤10%/ | *≤10%/ | | | | | | | | | | | | | | | | | | | | | | | | | | | | | |
| Y5V | ≤5%/ | ≤7%/ | ≤9%/ | ≤12.5%/ | ≤15%/ | | | | | | | | | | | | | | | | | | | | | | | | | | | | | |
| | *≤9%/ | *≤9%/ | *≤12.5%/ | *≤15%/ | | | | | | | | | | | | | | | | | | | | | | | | | | | | | | |
| 13 | Humidity Steady State | Appearance | No marking defects | | | | | - Temperature : 40±2°C - Humidity : 90~95% - Hour : 500±12hours - Measurement after test Take it out and set it for 24±2 hours (temperature compensating type) or 48±4 hours (high dielectric constant type) at room temperature, then measure. | | | | | | | | | | | | | | | | | | | | | | | | | | |
| | | Capacitance Change | Within ±5% or ±0.5pF (whichever is larger) | X7R, X5R : Within ±12.5% Y5V : Within ±30% | | | | | | | | | | | | | | | | | | | | | | | | | | | | | | |
| | | Dissipation Factor (or Q) | 30pF Min. : Q ≥ 350 (DF ≤ 0.3%) 10pF ≤ Cp ≤ 30pF : Q ≥ 275 +5/2C (DF ≤ 1/(275+5/2C)) 10pF Max. : Q ≥ 200+10C (DF ≤ 1/(200+10C)) | <table border="1"> <thead> <tr> <th>Char.</th> <th>50V Min.</th> <th>25V</th> <th>16V</th> <th>10V</th> <th>6.3V</th> </tr> </thead> <tbody> <tr> <td>X7R</td> <td>≤5%/</td> <td>≤5%/</td> <td>≤5%/</td> <td>≤7.5%/</td> <td>≤7.5%/</td> </tr> <tr> <td>X5R</td> <td>*≤7.5%/</td> <td>*≤10%/</td> <td>*≤10%/</td> <td>*≤12.5%/</td> <td>*≤12.5%/</td> </tr> <tr> <td>Y5V</td> <td>≤7.5%/</td> <td>≤10%/</td> <td>≤12.5%/</td> <td>≤15%/</td> <td>≤20%</td> </tr> <tr> <td></td> <td>*≤12.5%/</td> <td>*≤12.5%/</td> <td>*≤15%/</td> <td>*≤20%/</td> <td></td> </tr> </tbody> </table> | Char. | 50V Min. | 25V | | 16V | 10V | 6.3V | X7R | ≤5%/ | ≤5%/ | ≤5%/ | ≤7.5%/ | ≤7.5%/ | X5R | *≤7.5%/ | *≤10%/ | *≤10%/ | *≤12.5%/ | *≤12.5%/ | Y5V | ≤7.5%/ | ≤10%/ | ≤12.5%/ | ≤15%/ | ≤20% | | *≤12.5%/ | *≤12.5%/ | *≤15%/ | *≤20%/ |
| Char. | 50V Min. | 25V | 16V | 10V | 6.3V | | | | | | | | | | | | | | | | | | | | | | | | | | | | | |
| X7R | ≤5%/ | ≤5%/ | ≤5%/ | ≤7.5%/ | ≤7.5%/ | | | | | | | | | | | | | | | | | | | | | | | | | | | | | |
| X5R | *≤7.5%/ | *≤10%/ | *≤10%/ | *≤12.5%/ | *≤12.5%/ | | | | | | | | | | | | | | | | | | | | | | | | | | | | | |
| Y5V | ≤7.5%/ | ≤10%/ | ≤12.5%/ | ≤15%/ | ≤20% | | | | | | | | | | | | | | | | | | | | | | | | | | | | | |
| | *≤12.5%/ | *≤12.5%/ | *≤15%/ | *≤20%/ | | | | | | | | | | | | | | | | | | | | | | | | | | | | | | |
| | I.R. | More than 1,000MΩ or 50Ω, F (Whichever is Smaller) | | | | | | | | | | | | | | | | | | | | | | | | | | | | | | | | |

Radial & Axial

Features

This widely used ceramic capacitors includes both monolithic and multilayer types to provide a wide capacitance range of 1pF through 1μF in respectively one standard size and shape(Radial & Axial).

Applications

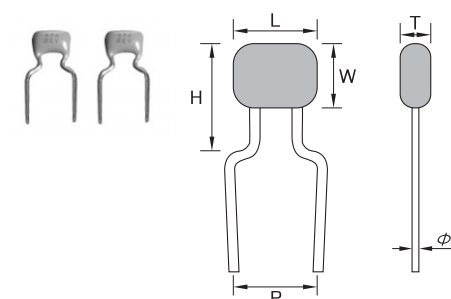
The class1 temperature compensating(C0G) products can be used in circuits to stabilize frequency and temperature characteristics.

The X7R, Z5U, Y5V dielectrics are optimum for by pass capacitors.

Shape and Dimensions

Bulk Type

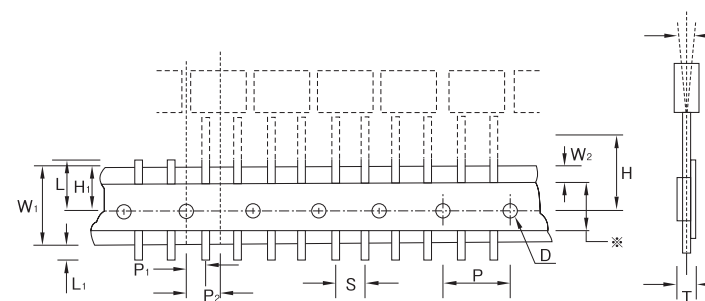
Radial Type



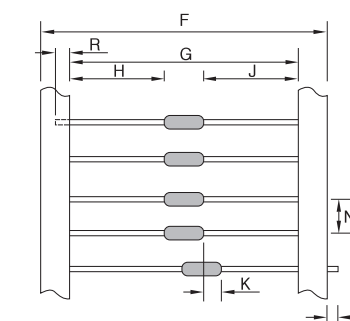
| CODE | L Max. | W Max. | T Max. | H Max. | P ±0.7 | Ød | Color | Marking |
|------|--------|--------|--------|--------|--------|-----|----------------|---------|
| 051B | 5.5 | 5.5 | 3.2 | 6.4 | 5 | 0.5 | Orange or Gold | Ex) 104 |
| 077B | 7.7 | 7.6 | | 9.2 | | | | |

Flat Type

Radial Type



Axial Type



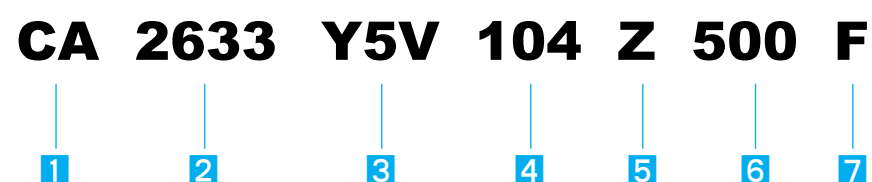
| No. | Item | Characteristic | | | | Test Methods and Conditions | | | | | | | | | | | | | | | | | | | | | | | | | | |
|-------|--|---|-----------------|-------------------------------|--|---|-------|-------------|-----------------|-------------|-----|---------------|------|-------------|-----|--------------|-------------|-----|--------------|-----------------|------|-----------------|---|------|---|-------|---|------|---|----------------|---|------|
| | | Temperature Compensating Type | | High Dielectric Constant Type | | | | | | | | | | | | | | | | | | | | | | | | | | | | |
| 14 | Capacitance Temperature Change Characteristics | | | | | (1) Temperature Compensating Type: The temperature coefficient is determined using the capacitance measured in step 3 as a reference, When cycling the temperature sequentially from step 1 through 5, (C0G: +25 to 125°C) the capacitance shall be with in the specified tolerance for the temperature coefficient. The capacitance drift is calculated by dividing the difference between the maximum measured values in the step 1, 3 and 5 by the Cap. value in step 3 | | | | | | | | | | | | | | | | | | | | | | | | | | |
| | Temperature Coefficient | | | | | | | | | | | | | | | | | | | | | | | | | | | | | | | |
| | | | | | | <table border="1"> <thead> <tr> <th>Char.</th> <th>Temp. Range</th> <th>Reference Temp.</th> <th>Cap. Change</th> </tr> </thead> <tbody> <tr> <td>X7R</td> <td>-55 to +125°C</td> <td rowspan="3">25°C</td> <td>Within ±15%</td> </tr> <tr> <td>X5R</td> <td>-55 to +85°C</td> <td>Within ±15%</td> </tr> <tr> <td>Y5V</td> <td>-30 to +85°C</td> <td>Within 22% -82%</td> </tr> </tbody> </table> <table border="1"> <thead> <tr> <th>Step</th> <th>Temperature(°C)</th> </tr> </thead> <tbody> <tr> <td>1</td> <td>25±2</td> </tr> <tr> <td>2</td> <td>-55±3</td> </tr> <tr> <td>3</td> <td>25±2</td> </tr> <tr> <td>4</td> <td>125±3(for C0G)</td> </tr> <tr> <td>5</td> <td>25±2</td> </tr> </tbody> </table> (2) High Dielectric Constant Type : The ranges of capacitance change compared with the 25°C value over the temperature range shown in the table shall be in the specified range. | Char. | Temp. Range | Reference Temp. | Cap. Change | X7R | -55 to +125°C | 25°C | Within ±15% | X5R | -55 to +85°C | Within ±15% | Y5V | -30 to +85°C | Within 22% -82% | Step | Temperature(°C) | 1 | 25±2 | 2 | -55±3 | 3 | 25±2 | 4 | 125±3(for C0G) | 5 | 25±2 |
| Char. | Temp. Range | Reference Temp. | Cap. Change | | | | | | | | | | | | | | | | | | | | | | | | | | | | | |
| X7R | -55 to +125°C | 25°C | Within ±15% | | | | | | | | | | | | | | | | | | | | | | | | | | | | | |
| X5R | -55 to +85°C | | Within ±15% | | | | | | | | | | | | | | | | | | | | | | | | | | | | | |
| Y5V | -30 to +85°C | | Within 22% -82% | | | | | | | | | | | | | | | | | | | | | | | | | | | | | |
| Step | Temperature(°C) | | | | | | | | | | | | | | | | | | | | | | | | | | | | | | | |
| 1 | 25±2 | | | | | | | | | | | | | | | | | | | | | | | | | | | | | | | |
| 2 | -55±3 | | | | | | | | | | | | | | | | | | | | | | | | | | | | | | | |
| 3 | 25±2 | | | | | | | | | | | | | | | | | | | | | | | | | | | | | | | |
| 4 | 125±3(for C0G) | | | | | | | | | | | | | | | | | | | | | | | | | | | | | | | |
| 5 | 25±2 | | | | | | | | | | | | | | | | | | | | | | | | | | | | | | | |
| 15 | Preservation(keeping) | ※ When solderability is considered, capacitors are recommended to be used in 12 months | | | | (1) Temperature : 25°C ±10°C (2) Relative Humidity : Below 70% RH | | | | | | | | | | | | | | | | | | | | | | | | | | |
| 16 | The regulation of environmental pollution materials. | ※ Never use materials mentioned below in MLCC products regulated this document. Pb, Cd, Hg, Cr+6, PBB(polybromide biphenyl), PBDE(polybrominated diphenyl ethers), asbestos. | | | | | | | | | | | | | | | | | | | | | | | | | | | | | | |

- In case of high Voltage and thin layer type Capacitor, it can be different from nomal specification.
So Please ask to our sales person.

| Code | Dimensions | Tolerance | Code | Dimensions | Tolerance |
|------|------------|-------------|------|----------------------------|-----------|
| D(∅) | 4 | ±0.3 | P1 | 3.85 | ±0.7 |
| H | 16 | ±0.5 | P2 | 6.35 | ±1.3 |
| H1 | 9 | +0.76, -0.5 | T | 0.9 | Max. |
| H2 | 0 | ±2 | W1 | 18 | ±0.5 |
| L | 11 | Max. | W2 | 0 | +0.6 Max. |
| L1 | 1.5 | Max. | S | 5 | ±0.7 |
| P | 12.7 | ±0.3 | * | No adhesive may be exposed | |

| Code | Dimensions | Tolerance |
|------|------------|-----------|
| F | 64.8 | -0, +2 |
| G | 50.8-53.3 | |
| H | =J | ±1.2 |
| J | =H | ±1.2 |
| K | 0.8 | Max. |
| N | 5 | ±0.4 |
| R | 3.2 | Min. |

How to Order(Product Identification)



1 Type

CR : Radial Lead Type
CA : Axial Lead Type

2 Dimension Code

The number shows the maximum length of "L" by 1/10 in millimeter, and the alphabet means lead difference.(Refer to above diagram)

3 Temperature Coefficient Code

| Temperature Characteristic | Temperature Range | Capacitance Change or Temperature Coefficient |
|----------------------------|-------------------|---|
| C0G | -55 to 125°C | 0±30ppm/°C |
| X7R | -55 to 125°C | ±15% |
| Z5U | 10°C to 85°C | +22, -56% |
| Y5V | -30 to 85°C | +22, -82% |

4 Capacitance Code(Pico Farads)

First two digits are significant; third digit denotes number of zeros.
Ex.) 101 = 100pF, 1R5 = 1.5pF, 103 = 10,000pF

5 Capacitance Tolerance Code

| Code | Tolerance | Remark |
|------|-----------|----------|
| J | ± 5.0 % | C0G |
| K | ± 10 % | X7R, C0G |
| M | ± 20 % | Z5U, X7R |
| Z | +80, -20% | Z5U, Y5V |

6 Rated Voltage Code

| Code | 250 | 500 | 101 |
|------|--------|--------|---------|
| Volt | DC 25V | DC 50V | DC 100V |

7 Packing Code

| Code | B | R | F |
|---------|------|-----------|-----------|
| Packing | Bulk | Reel Pack | Flat Pack |

Reliability and Test Conditions

| No. | Item | Characteristic | | | | Test Methods and Conditions | | | | | | | | | | | | | | | | | | | | | | | | | | | | | | |
|-----------------------------------|--------------------------------------|--|---|--------------------|-------------------|---|-----|-----|-----|--------|------|--------|--------|-----|--------|---|---|---|-----|--------------------------------------|------|---|---------|--|------|-------------------|-----------------|------------------|----------|---------------|------------------|----------|------------|-----------------------------------|----------|------------|
| | | Temperature Compensating Type | High Dielectric Constant Type | | | | | | | | | | | | | | | | | | | | | | | | | | | | | | | | | |
| 1. | Operating Temperature Range | C0G : -55 to +125°C | X7R : -55 to +125°C | Z5U : +10 to +85°C | Y5V : -30 to 85°C | | | | | | | | | | | | | | | | | | | | | | | | | | | | | | | |
| 2. | Insulation Resistance | More than 10,000MΩ or 500Ω.F (whichever is smaller) | | | | Applied the rated voltage for 2 minute | | | | | | | | | | | | | | | | | | | | | | | | | | | | | | |
| 3. | Dielectric Strength | No detects or abnormalities | | | | - C0G : The rated voltage × 300% - X7R, Z5U, Y5V : " × 250% | | | | | | | | | | | | | | | | | | | | | | | | | | | | | | |
| 4. | Capacitance | Within the specified tolerance | | | | Temperature Compensating Type | | | | | | | | | | | | | | | | | | | | | | | | | | | | | | |
| 5. | Dissipation Factor | 30pF Min. : Q ≥ 1,000 (DF ≤ 0.1%) 30pF Max. : Q ≥ 400+20C (DF ≤ 1/(400+20C)) | <table border="1"> <thead> <tr> <th>Char.</th> <th>50V Min.</th> <th>25V</th> <th>16V</th> <th>10V</th> </tr> </thead> <tbody> <tr> <td>X7R</td> <td>≤ 2.5%</td> <td>≤ 3%</td> <td>≤ 3.5%</td> <td>≤ 5.0%</td> </tr> <tr> <td>Z%V</td> <td>≤ 4.0%</td> <td>-</td> <td>-</td> <td>-</td> </tr> <tr> <td>Y5V</td> <td>≤ 5% (<220nF) ≤ 7% (≥220nF)</td> <td>≤ 7%</td> <td>≤ 9% (<220nF) ≤ 12.5% (≥220nF)</td> <td>≤ 12.5%</td> </tr> </tbody> </table> | Char. | 50V Min. | 25V | 16V | 10V | X7R | ≤ 2.5% | ≤ 3% | ≤ 3.5% | ≤ 5.0% | Z%V | ≤ 4.0% | - | - | - | Y5V | ≤ 5% (<220nF) ≤ 7% (≥220nF) | ≤ 7% | ≤ 9% (<220nF) ≤ 12.5% (≥220nF) | ≤ 12.5% | <table border="1"> <thead> <tr> <th>Cap.</th> <th>Testing Frequency</th> <th>Testing Voltage</th> </tr> </thead> <tbody> <tr> <td>C0G (C ≤ 1000pF)</td> <td>1±0.1MHz</td> <td>0.5 to 5V rms</td> </tr> <tr> <td>C0G (C > 1000pF)</td> <td>1±0.1kHz</td> <td>1±0.2V rms</td> </tr> <tr> <td>X7R, Z5U, Y5V (C ≤ 10μF 10V Min.)</td> <td>1±0.1kHz</td> <td>1±0.2V rms</td> </tr> </tbody> </table> | Cap. | Testing Frequency | Testing Voltage | C0G (C ≤ 1000pF) | 1±0.1MHz | 0.5 to 5V rms | C0G (C > 1000pF) | 1±0.1kHz | 1±0.2V rms | X7R, Z5U, Y5V (C ≤ 10μF 10V Min.) | 1±0.1kHz | 1±0.2V rms |
| Char. | 50V Min. | 25V | 16V | 10V | | | | | | | | | | | | | | | | | | | | | | | | | | | | | | | | |
| X7R | ≤ 2.5% | ≤ 3% | ≤ 3.5% | ≤ 5.0% | | | | | | | | | | | | | | | | | | | | | | | | | | | | | | | | |
| Z%V | ≤ 4.0% | - | - | - | | | | | | | | | | | | | | | | | | | | | | | | | | | | | | | | |
| Y5V | ≤ 5% (<220nF) ≤ 7% (≥220nF) | ≤ 7% | ≤ 9% (<220nF) ≤ 12.5% (≥220nF) | ≤ 12.5% | | | | | | | | | | | | | | | | | | | | | | | | | | | | | | | | |
| Cap. | Testing Frequency | Testing Voltage | | | | | | | | | | | | | | | | | | | | | | | | | | | | | | | | | | |
| C0G (C ≤ 1000pF) | 1±0.1MHz | 0.5 to 5V rms | | | | | | | | | | | | | | | | | | | | | | | | | | | | | | | | | | |
| C0G (C > 1000pF) | 1±0.1kHz | 1±0.2V rms | | | | | | | | | | | | | | | | | | | | | | | | | | | | | | | | | | |
| X7R, Z5U, Y5V (C ≤ 10μF 10V Min.) | 1±0.1kHz | 1±0.2V rms | | | | | | | | | | | | | | | | | | | | | | | | | | | | | | | | | | |
| 6. | Terminal Strength | No evidence of damage to body of device or looseness of terminals. | | | | A static load of 10N(1kgf) : applied to one terminal in the axial direction and acting in a direction away from the body for 1 to 5 secs. | | | | | | | | | | | | | | | | | | | | | | | | | | | | | | |

| No. | Item | Characteristic | | | | | Test Methods and Conditions | | | | | | | | | | | | | | | | | | | | |
|--------------------------|---|-------------------------------|---|-------------------------------|---|------------|-----------------------------|---|-------|----------|-----|--------|-----|------------|-----------------------------|------------|-----------------------------|------------|------------|-------|--------|------------------------------|--------|---------------------------------|------------------------------|------------------------------|---------------------------------|
| | | Temperature Compensating Type | | High Dielectric Constant Type | | | | | | | | | | | | | | | | | | | | | | | |
| 7. | Resistance to Soldering Heat | Appearance | No marked defect | | | | | - Soldering Temp : 260±5°C - Immersion Time : 5±0.5sec - Take it out and set it for 24±2 hours(temperature compensating type) or 48±4hours(high dielectric constant type) then measure. | | | | | | | | | | | | | | | | | | | |
| | | Capacitance Change | Within ±2.5% or ±0.25pF (whichever is larger) | | X7R : ≤± 7.5% Z5U, Y5V : ≤± 20% | | | | | | | | | | | | | | | | | | | | | | |
| | | Dissipation Factor(or Q) | 30pF Min. : Q≥1,000 (DF≤0.1%) 30pF Max. : Q≥400+20C (DF≤1/(400+20C)) | | <table border="1"> <thead> <tr> <th>Char.</th> <th>50V Min.</th> <th>25V</th> <th>16V</th> <th>10V</th> </tr> </thead> <tbody> <tr> <td>X7R</td> <td>≤ 2.5%</td> <td>≤3%</td> <td>≤3.5%</td> <td>≤5.0%</td> </tr> <tr> <td>Z5U</td> <td>≤4.0%</td> <td>-</td> <td>-</td> <td>-</td> </tr> <tr> <td>Y5V</td> <td>≤5% (<220nF) ≤7% (≥220nF)</td> <td>≤7%</td> <td>≤9% (<220nF) ≤12.5% (≥220nF)</td> <td>≤12.5%</td> </tr> </tbody> </table> | | | | Char. | 50V Min. | 25V | 16V | 10V | X7R | ≤ 2.5% | ≤3% | ≤3.5% | ≤5.0% | Z5U | ≤4.0% | - | - | - | Y5V | ≤5% (<220nF) ≤7% (≥220nF) | ≤7% | ≤9% (<220nF) ≤12.5% (≥220nF) |
| | Char. | 50V Min. | 25V | 16V | 10V | | | | | | | | | | | | | | | | | | | | | | |
| X7R | ≤ 2.5% | ≤3% | ≤3.5% | ≤5.0% | | | | | | | | | | | | | | | | | | | | | | | |
| Z5U | ≤4.0% | - | - | - | | | | | | | | | | | | | | | | | | | | | | | |
| Y5V | ≤5% (<220nF) ≤7% (≥220nF) | ≤7% | ≤9% (<220nF) ≤12.5% (≥220nF) | ≤12.5% | | | | | | | | | | | | | | | | | | | | | | | |
| I.R. | More than 10,000MΩ or 500Ω.F (whichever & smaller) | | | | | | | | | | | | | | | | | | | | | | | | | | |
| 8. | Temperature Cycle | Appearance | No marking defects | | | | | <table border="1"> <thead> <tr> <th>Step</th> <th>1</th> <th>2</th> <th>3</th> <th>4</th> </tr> </thead> <tbody> <tr> <td>Temp. (°C)</td> <td>Min. Operating Temp. +0, -3</td> <td>Room Temp.</td> <td>Max. Operating Temp. +3, -0</td> <td>Room Temp.</td> </tr> <tr> <td>Time (min)</td> <td>30±3</td> <td>2 to 3</td> <td>30±3</td> <td>2 to 3</td> </tr> </tbody> </table> Take it out and set it for 24±2 hours (temperature compensating or 48±4 hours(high dielectric Type) at room temperature, than measure. | Step | 1 | 2 | 3 | 4 | Temp. (°C) | Min. Operating Temp. +0, -3 | Room Temp. | Max. Operating Temp. +3, -0 | Room Temp. | Time (min) | 30±3 | 2 to 3 | 30±3 | 2 to 3 | | | | |
| | | Step | 1 | 2 | 3 | 4 | | | | | | | | | | | | | | | | | | | | | |
| | | Temp. (°C) | Min. Operating Temp. +0, -3 | Room Temp. | Max. Operating Temp. +3, -0 | Room Temp. | | | | | | | | | | | | | | | | | | | | | |
| | Time (min) | 30±3 | 2 to 3 | 30±3 | 2 to 3 | | | | | | | | | | | | | | | | | | | | | | |
| Capacitance Change | Within±2.5% or ±0.25pF | | X7R : Within + 7.5% Z5U, Y5V : Within ± 20% | | | | | | | | | | | | | | | | | | | | | | | | |
| Dissipation Factor(or Q) | 30pF Min. : Q≥1,000 (DF≤0.1%) 30pF Max. : Q≥400+20C (DF≤1/(400+20C)) | | <table border="1"> <thead> <tr> <th>Char.</th> <th>50V Min.</th> <th>25V</th> <th>16V</th> <th>10V</th> </tr> </thead> <tbody> <tr> <td>X7R</td> <td>≤ 2.5%</td> <td>≤3%</td> <td>≤3.5%</td> <td>≤5.0%</td> </tr> <tr> <td>Z5U</td> <td>≤4.0%</td> <td>-</td> <td>-</td> <td>-</td> </tr> <tr> <td>Y5V</td> <td>≤5% (<220nF) ≤7% (≥220nF)</td> <td>≤7%</td> <td>≤9% (<220nF) ≤12.5% (≥220nF)</td> <td>≤12.5%</td> </tr> </tbody> </table> | | | Char. | 50V Min. | 25V | 16V | 10V | X7R | ≤ 2.5% | ≤3% | ≤3.5% | ≤5.0% | Z5U | ≤4.0% | - | - | - | Y5V | ≤5% (<220nF) ≤7% (≥220nF) | ≤7% | ≤9% (<220nF) ≤12.5% (≥220nF) | ≤12.5% | | |
| Char. | 50V Min. | 25V | 16V | 10V | | | | | | | | | | | | | | | | | | | | | | | |
| X7R | ≤ 2.5% | ≤3% | ≤3.5% | ≤5.0% | | | | | | | | | | | | | | | | | | | | | | | |
| Z5U | ≤4.0% | - | - | - | | | | | | | | | | | | | | | | | | | | | | | |
| Y5V | ≤5% (<220nF) ≤7% (≥220nF) | ≤7% | ≤9% (<220nF) ≤12.5% (≥220nF) | ≤12.5% | | | | | | | | | | | | | | | | | | | | | | | |
| I.R. | More than 10,000MΩ or 500Ω.F (Whichever is smaller) | | | | | | | | | | | | | | | | | | | | | | | | | | |
| 9. | Humidity Load | Appearance | No marking defects | | | | | - Temperature : 40±2°C - Humidity : 90~95%RH - Hour : 500±12hrs - Test Voltage : Tge rated voltage - Take it out and set it for 24±2 hours (temperature compensating) or 48±4 hours(high dielectric constant type) at room temperature, then measure. The charge/discharge current is less than 50mA. | | | | | | | | | | | | | | | | | | | |
| | | Capacitance Change | Within ±7.5% or ±0.75pF (whichever is larger) | | X7R : Within ±12.5% Z5U : Within ±30% Y5V : Within + 30%, -40% (Y5V/1.0μF, 2.2μF, 4.7μF/10V) Within ±30% (others) | | | | | | | | | | | | | | | | | | | | | | |
| | | Dissipation Factor(or Q) | 30pF Min. : Q≥200 (DF≤0.5%) 30pF Max. : Q≥100+10/3C (DF≤1/(100+10/3C)) | | <table border="1"> <thead> <tr> <th>Char.</th> <th>50V Min.</th> <th>25V</th> <th>16V</th> <th>10V</th> </tr> </thead> <tbody> <tr> <td>X7R</td> <td>≤5%</td> <td>≤5%</td> <td>≤5%</td> <td>≤5%</td> </tr> <tr> <td>Z5U</td> <td>≤4.0%</td> <td>-</td> <td>-</td> <td>-</td> </tr> <tr> <td>Y5V</td> <td>≤7.5%</td> <td>≤10% (<1μF) ≤12.5% (≥1μF)</td> <td>≤12.5%</td> <td>≤15%</td> </tr> </tbody> </table> | | | | Char. | 50V Min. | 25V | 16V | 10V | X7R | ≤5% | ≤5% | ≤5% | ≤5% | Z5U | ≤4.0% | - | - | - | Y5V | ≤7.5% | ≤10% (<1μF) ≤12.5% (≥1μF) | ≤12.5% |
| | Char. | 50V Min. | 25V | 16V | 10V | | | | | | | | | | | | | | | | | | | | | | |
| X7R | ≤5% | ≤5% | ≤5% | ≤5% | | | | | | | | | | | | | | | | | | | | | | | |
| Z5U | ≤4.0% | - | - | - | | | | | | | | | | | | | | | | | | | | | | | |
| Y5V | ≤7.5% | ≤10% (<1μF) ≤12.5% (≥1μF) | ≤12.5% | ≤15% | | | | | | | | | | | | | | | | | | | | | | | |
| I.R. | More than 500MΩ or 25Ω.F (whichever is smaller) | | | | | | | | | | | | | | | | | | | | | | | | | | |
| 10. | High Temperature Load | Appearance | No marked defect | | | | | - Testing Time : 1000±12hrs - Applied Voltage : Rated Voltage ×200% - Temperature : C0G, X7R → 125±3°C Z5U, Y5V → 85±3°C | | | | | | | | | | | | | | | | | | | |
| | | Capacitance change | Within ±3% or ±0.3pF (whichever is larger) | | X7R : Within ±12.5% , Z5U : Within ±30% Y5V : Within ±30%(Cap. < 1.0μF) Within +30% , -40%(Cap. ≥ 1.0μF) | | | | | | | | | | | | | | | | | | | | | | |

| No. | Item | Characteristic | | | | | Test Methods and Conditions | | | | | | | | | | | | | | | | | | | | | | |
|--|---|---|--|--|-----------------|-------------------------|-----------------------------|---------------|-----------------|-------------|----------------|---------------|------|---|-----|--------------|---------------------|-----|--------------|---------------------|---|---|---|-----|-------|---------------------------|--------|------|--|
| | | Temperature Compensating Type | | High Dielectric Constant Type | | | | | | | | | | | | | | | | | | | | | | | | | |
| 10 | High Temperature Load | Dissipation Factor(or Q) | 30pF Min. : Q≥350 (DF≤0.3%) 10pF≤Cp≤30pF: Q≥275+5/2C (DF≤1/(275+5/2C)) 10pF Max. : Q≥200+10C (DF≤1/(200+10C)) | <table border="1"> <thead> <tr> <th>Char.</th> <th>50V Min.</th> <th>25V</th> <th>16V</th> <th>10V</th> </tr> </thead> <tbody> <tr> <td>X7R</td> <td>≤5%</td> <td>≤5%</td> <td>≤5%</td> <td>≤5%</td> </tr> <tr> <td>Z5U</td> <td>≤4.0%</td> <td>-</td> <td>-</td> <td>-</td> </tr> <tr> <td>Y5V</td> <td>≤7.5%</td> <td>≤10% (<1μF) ≤7% (≥1μF)</td> <td>≤12.5%</td> <td>≤15%</td> </tr> </tbody> </table> | | | | | Char. | 50V Min. | 25V | 16V | 10V | X7R | ≤5% | ≤5% | ≤5% | ≤5% | Z5U | ≤4.0% | - | - | - | Y5V | ≤7.5% | ≤10% (<1μF) ≤7% (≥1μF) | ≤12.5% | ≤15% | Take it out and set it for 24±2 hours (temperature compensating) or 48±4 hours(high dielectric constant type) at room temperature, then measure. The charge/discharge current is less than 50mA. |
| | | | | Char. | 50V Min. | 25V | 16V | 10V | | | | | | | | | | | | | | | | | | | | | |
| X7R | ≤5% | ≤5% | ≤5% | ≤5% | | | | | | | | | | | | | | | | | | | | | | | | | |
| Z5U | ≤4.0% | - | - | - | | | | | | | | | | | | | | | | | | | | | | | | | |
| Y5V | ≤7.5% | ≤10% (<1μF) ≤7% (≥1μF) | ≤12.5% | ≤15% | | | | | | | | | | | | | | | | | | | | | | | | | |
| I.R. | More than 1000MΩ or 50ΩF (Whichever is smaller) | | | | | | | | | | | | | | | | | | | | | | | | | | | | |
| 11 | Capacitance Temperature Characteristics | Capacitance Change | <table border="1"> <thead> <tr> <th>Char.</th> <th>Temp. Range</th> <th>Reference Temp.</th> <th>Cap. Change</th> </tr> </thead> <tbody> <tr> <td>X7R</td> <td>-55 to +125°C</td> <td rowspan="3">25°C</td> <td>Within ±15%</td> </tr> <tr> <td>Z5U</td> <td>-10 to +85°C</td> <td>Within +22% -56%</td> </tr> <tr> <td>Y5V</td> <td>-30 to +85°C</td> <td>Within +22% -82%</td> </tr> </tbody> </table> | | | | Char. | Temp. Range | Reference Temp. | Cap. Change | X7R | -55 to +125°C | 25°C | Within ±15% | Z5U | -10 to +85°C | Within +22% -56% | Y5V | -30 to +85°C | Within +22% -82% | (1) Temperature Compensating Type : The temperature coefficient is determined using the capacitance measured in step 3 as a reference. When cycling the temperature sequentially from step 1 through 5. (SL: +25 to 85°C) the capacitance shall be within the specified tolerance for the temperature coefficient. The capacitance drift is calculated dividing the difference between the maximum measured values in the step 1, 3 and 5 by Cap. value in step 3. | | | | | | | | |
| | | | Char. | Temp. Range | Reference Temp. | Cap. Change | | | | | | | | | | | | | | | | | | | | | | | |
| | X7R | -55 to +125°C | 25°C | Within ±15% | | | | | | | | | | | | | | | | | | | | | | | | | |
| Z5U | -10 to +85°C | Within +22% -56% | | | | | | | | | | | | | | | | | | | | | | | | | | | |
| Y5V | -30 to +85°C | Within +22% -82% | | | | | | | | | | | | | | | | | | | | | | | | | | | |
| Temperature Coefficient | <table border="1"> <thead> <tr> <th>Char.</th> <th>Temp. Range</th> <th>Temperature Coefficient</th> </tr> </thead> <tbody> <tr> <td>C0G</td> <td>-55 to +125°C</td> <td>±30ppm/°C</td> </tr> </tbody> </table> | | | Char. | Temp. Range | Temperature Coefficient | C0G | -55 to +125°C | ±30ppm/°C | | | | | | | | | | | | | | | | | | | | |
| Char. | Temp. Range | Temperature Coefficient | | | | | | | | | | | | | | | | | | | | | | | | | | | |
| C0G | -55 to +125°C | ±30ppm/°C | | | | | | | | | | | | | | | | | | | | | | | | | | | |
| <table border="1"> <thead> <tr> <th>Step</th> <th>Temperature(°C)</th> </tr> </thead> <tbody> <tr> <td>1</td> <td>25±2</td> </tr> <tr> <td>2</td> <td>-55±3</td> </tr> <tr> <td>3</td> <td>25±2</td> </tr> <tr> <td>4</td> <td>125±3(for C0G)</td> </tr> <tr> <td>5</td> <td>25±2</td> </tr> </tbody> </table> | | Step | Temperature(°C) | 1 | 25±2 | 2 | -55±3 | 3 | 25±2 | 4 | 125±3(for C0G) | 5 | 25±2 | (2) High Dielectric Constant Type : The ranges of capacitance change compared with the 25°C value over the temperature range shown in the table shall be in the specified range. | | | | | | | | | | | | | | | |
| Step | Temperature(°C) | | | | | | | | | | | | | | | | | | | | | | | | | | | | |
| 1 | 25±2 | | | | | | | | | | | | | | | | | | | | | | | | | | | | |
| 2 | -55±3 | | | | | | | | | | | | | | | | | | | | | | | | | | | | |
| 3 | 25±2 | | | | | | | | | | | | | | | | | | | | | | | | | | | | |
| 4 | 125±3(for C0G) | | | | | | | | | | | | | | | | | | | | | | | | | | | | |
| 5 | 25±2 | | | | | | | | | | | | | | | | | | | | | | | | | | | | |
| 12 | The regulation of environmental pollution materials | ※ Never use materials mentioned below in leaded MLCC products regulated this document. Pb, Cd, Hg, Cr ⁶⁺ , PBB(polybromida biphenyl), PBDE(polybrominated diphenyl ethers), asbestos. | | | | | | | | | | | | | | | | | | | | | | | | | | | |
| 13 | The regulation about destructive materials of the ozone layer | Never use the ODS(ozone depleting substance) materials below in leaded MLCC products regulated this document. | | | | | | | | | | | | | | | | | | | | | | | | | | | |

Packing Quantity

Unit : pcs

| Radial Type | | | Axial Type | | |
|-------------|-----------|--|------------|-----------|--|
| Inner Box | Outer Box | Remark | Inner Box | Outer Box | Remark |
| 2,500 | 15,000 | Packing set on the basis of flat tapping | 5,000 | 50,000 | Packing set on the basis of flat tapping |

Capacitance Range

| Type Char. | Volt | Radial | | | | | | Axial | | | | |
|------------|------|--------|-----|-----|-----|-----|-----|-------|-----|-----|-----|-----|
| | | C0G | | X7R | | Z5U | Y5V | | C0G | X7R | Z5U | Y5V |
| Cap(pF) | | 50 | 100 | 50 | 100 | 50 | 16 | 50 | 50 | 50 | 50 | 50 |
| 1 | | | | | | | | | | | | |
| 2 | | | | | | | | | | | | |
| 3 | | | | | | | | | | | | |
| 4 | | | | | | | | | | | | |
| 5 | | | | | | | | | | | | |
| 6 | | | | | | | | | | | | |
| 7 | | | | | | | | | | | | |
| 8 | | | | | | | | | | | | |
| 9 | | | | | | | | | | | | |
| 10 | | ■ | | | | | | | | | | |
| 12 | | ■ | | | | | | | | | | |
| 15 | | | | | | | | | ■ | | | |
| 16 | | ■ | | | | | | | ■ | | | |
| 18 | | ■ | | | | | | | ■ | | | |
| 20 | | ■ | | | | | | | ■ | | | |
| 22 | | ■ | | | | | | | ■ | | | |
| 24 | | ■ | | | | | | | ■ | | | |
| 27 | | ■ | | | | | | | ■ | | | |
| 30 | | ■ | | | | | | | ■ | | | |
| 33 | | ■ | | | | | | | ■ | | | |
| 36 | | ■ | | | | | | | ■ | | | |
| 39 | | ■ | | | | | | | ■ | | | |
| 43 | | ■ | | | | | | | ■ | | | |
| 47 | | ■ | | | | | | | ■ | | | |
| 51 | | ■ | | | | | | | ■ | | | |
| 56 | | ■ | | | | | | | ■ | | | |
| 62 | | ■ | | | | | | | ■ | | | |
| 68 | | ■ | | | | | | | ■ | | | |
| 75 | | ■ | | | | | | | ■ | | | |
| 82 | | ■ | | | | | | | ■ | | | |
| 91 | | ■ | | | | | | | ■ | | | |
| 100 | | ■ | | ■ | | | | | ■ | | | |
| 120 | | ■ | | ■ | | | | | ■ | | | |
| 150 | | ■ | | ■ | | | | | ■ | | | |
| 180 | | ■ | | ■ | | | | | ■ | | | |
| 220 | | ■ | | ■ | | | | | ■ | | | |
| 270 | | ■ | | ■ | | | | | ■ | | | |
| 330 | | ■ | ■ | ■ | | | | | ■ | | | |
| 390 | | ■ | ■ | ■ | | | | | ■ | | | |
| 470 | | ■ | ■ | ■ | | | | | ■ | | | |
| 560 | | ■ | ■ | ■ | | | | | ■ | | | |
| 680 | | ■ | ■ | ■ | | | | | ■ | | | |
| 820 | | ■ | ■ | ■ | | | | | ■ | | | |
| 1.000 | | ■ | ■ | ■ | | | | | ■ | | ■ | |
| 1.200 | | ■ | ■ | ■ | | | | | ■ | | ■ | |
| 1.500 | | ■ | ■ | ■ | | | | | ■ | | ■ | |
| 1.800 | | ■ | ■ | ■ | | | | | ■ | | ■ | |
| 2.200 | | ■ | ■ | ■ | | | | | ■ | | ■ | |
| 2.700 | | ■ | ■ | ■ | | | | | ■ | | ■ | |
| 3.300 | | ■ | ■ | ■ | | | | | ■ | | ■ | |
| 3.900 | | ■ | ■ | ■ | | | | | ■ | | ■ | |
| 4.700 | | ■ | ■ | ■ | | | | | ■ | | ■ | |
| 5.600 | | ■ | ■ | ■ | | | | | ■ | | ■ | |
| 6.800 | | ■ | ■ | ■ | | | | | ■ | | ■ | |
| 8.200 | | ■ | ■ | ■ | | | | | ■ | | ■ | |
| 10.000 | | ■ | ■ | ■ | | ■ | | ■ | ■ | | ■ | |
| 15.000 | | ■ | ■ | ■ | | ■ | | ■ | ■ | | ■ | |
| 22.000 | | ■ | ■ | ■ | | ■ | | ■ | ■ | | ■ | |
| 33.000 | | ■ | ■ | ■ | ■ | ■ | | ■ | ■ | | ■ | |
| 47.000 | | ■ | ■ | ■ | ■ | ■ | | ■ | ■ | | ■ | |
| 68.000 | | ■ | ■ | ■ | ■ | ■ | | ■ | ■ | | ■ | |
| 100.000 | | ■ | ■ | ■ | ■ | ■ | | ■ | ■ | | ■ | |
| 150.000 | | ■ | ■ | ■ | ■ | ■ | | ■ | ■ | | ■ | |
| 220.000 | | ■ | ■ | ■ | ■ | ■ | | ■ | ■ | | ■ | |
| 330.000 | | ■ | ■ | ■ | ■ | ■ | | ■ | ■ | | ■ | |
| 470.000 | | ■ | ■ | ■ | ■ | ■ | | ■ | ■ | | ■ | |
| 680.000 | | ■ | ■ | ■ | ■ | ■ | | ■ | ■ | | ■ | |
| 1.000.000 | | ■ | ■ | ■ | ■ | ■ | ■ | ■ | ■ | | ■ | ■ |