

**PLEASE CHECK WWW.MOLEX.COM FOR LATEST PART INFORMATION**

**Part Number:** [5008170505](#)  
**Status:** **Active**  
**Description:** 2.50mm (.098") Pitch Wire-to-Wire Retainer, 5 Circuits

**Documents:**

[3D Model](#) [Product Specification PS-500592-001 \(PDF\)](#)  
[Drawing \(PDF\)](#) [RoHS Certificate of Compliance \(PDF\)](#)

**General**

Product Family	Accessories
Series	<a href="#">500817</a>
Component Type	Retainer
Product Name	N/A

**Physical**

Circuits (Loaded)	5
Color - Resin	Gray
Material - Resin	Polyester
Number of Rows	1
Packaging Type	Bag
Temperature Range - Operating	-40°C to +85°C

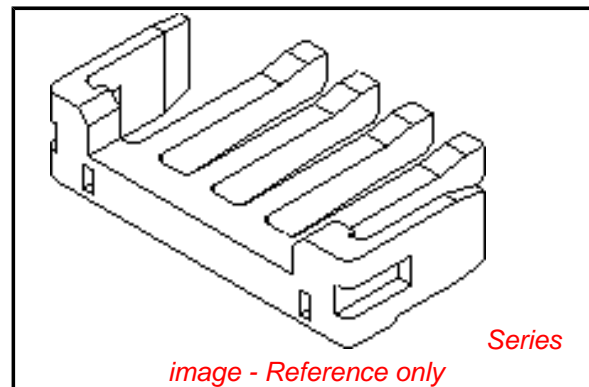
**Electrical**

Current - Maximum per Contact	3A
-------------------------------	----

**Material Info**

**Reference - Drawing Numbers**

Product Specification	PS-500592-001, RPS-500592-002
-----------------------	-------------------------------



**EU RoHS**

**ELV and RoHS  
Compliant**  
**REACH SVHC**  
 Not Reviewed  
**Halogen-Free  
Status**

**China RoHS**



**Need more information on product  
environmental compliance?**

Email [productcompliance@molex.com](mailto:productcompliance@molex.com)  
 For a multiple part number RoHS Certificate of Compliance, [click here](#)

Please visit the [Contact Us](#) section for any non-product compliance questions.

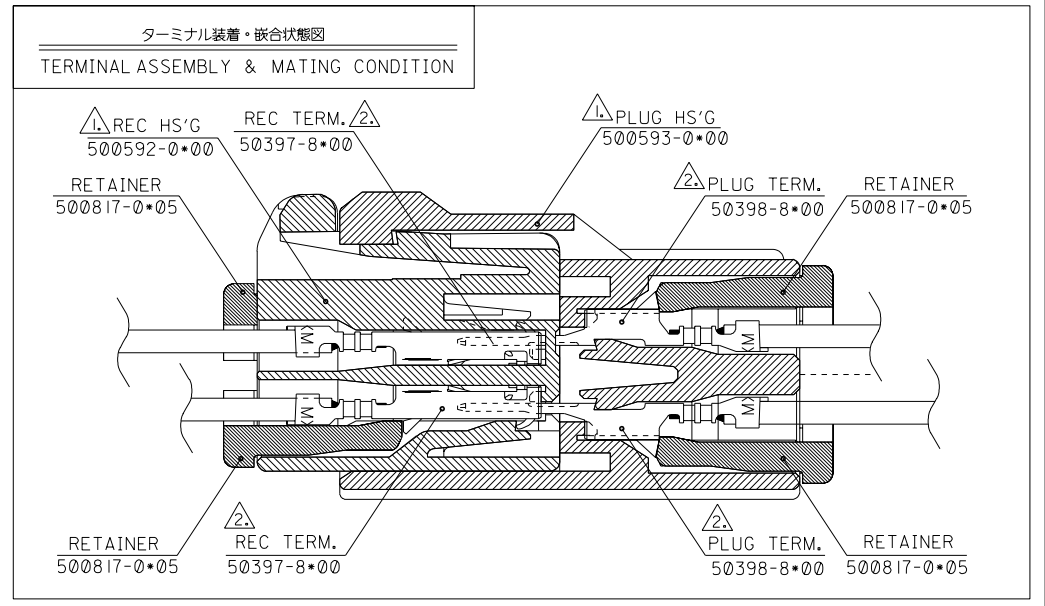
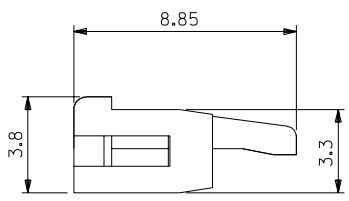
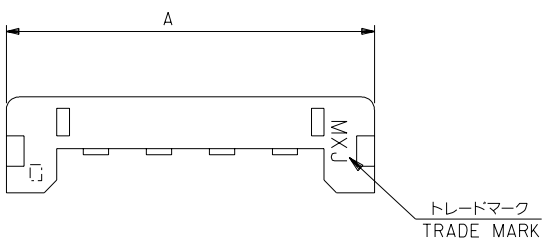
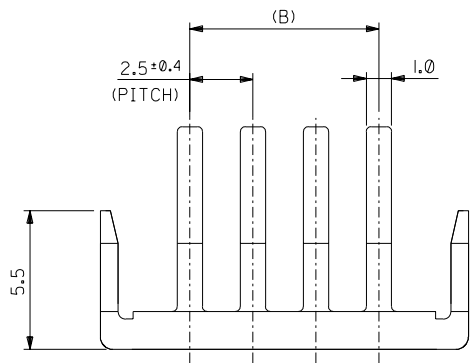
**Search Parts in this Series**

[500817Series](#)

**Use With**

[50397](#) , [500594](#) , [500595](#) , [500593](#) , [500592](#)  
 , [50398](#)

DWG. NO.  
SD-500817-001



注記  
NOTES

- 1. 適合ハウジング: 500592/500593シリーズ  
500594/500595シリーズ  
APPLICABLE TERMINAL: 500592/500593 SERIES  
500594/500595 SERIES
- 2. 適合ターミナル: 50397/50398シリーズ  
APPLICABLE TERMINAL: 50397/50598 SERIES
- 4. 材質: PBT (UL94V-0)  
MATERIAL: PBT(UL94V-0)  
色: 灰色  
COLOR: GRAY

17.5	24.4	8	500817-0805	500817-***05
15	21.9	7	-0705	
12.5	19.4	6	-0605	
10	16.9	5	-0505	
7.5	14.4	4	-0405	
5	11.9	3	-0305	
2.5	9.4	2	500817-0205	
(B)	A	CKT.	MATERIAL NO.	MODEL NO.

DO NOT SCALE DRAWING

164 NO. DRWN: CH'K: APPR:	163 NO. DRWN: CH'K: APPR:	162 NO. DRWN: CH'K: APPR:	161 NO. DRWN: CH'K: APPR:	RELEASED 160 NO. J2004-4643 DRWN: T.ODA 04/06/09 CH'K: S.ICHIKAWA APPR: YO.ITO	MATERIAL 材料	GENERAL TOLERANCES: (UNLESS SPECIFIED) 一般公差	SCALE 1:1	DESIGN UNITS <input checked="" type="checkbox"/> mm <input type="checkbox"/> INCH	DIMENSIONS: <input type="checkbox"/> mm <input type="checkbox"/> INCH <input checked="" type="checkbox"/> mm ONLY	SHT REV	DIMENSION PROJECTION <input checked="" type="checkbox"/> 1st ANGLE	TITLE: 2.5 mm WIRE TO WIRE CONN. RETAINER	MOLEX MOLEX INCORPORATED	CAD FILENAME SD-500817-001.S01	MATERIAL NO. SEE CHART	DRAWING NO. SD-500817-001	SHEET NO. 1 OF 1	THIS DRAWING CONTAINS INFORMATION THAT IS PROPRIETARY TO MOLEX INCORPORATED AND SHOULD NOT BE USED WITHOUT WRITTEN PERMISSION.	SIZE B
8	7	6	5	4	3	2	EN-02J(097) MXJ-54												