

PLEASE CHECK WWW.MOLEX.COM FOR LATEST PART INFORMATION

Part Number: [0945354002](#)
Status: **Active**
Overview: [rast 5 connector system](#)
Description: Housing for RAST 5, 2 Circuits, with Secondary Locking and External Latch

Documents:

[Drawing \(PDF\)](#) [RoHS Certificate of Compliance \(PDF\)](#)
[Product Specification PS-94518-006 \(PDF\)](#)

General

Product Family [Crimp Housings](#)
 Series [94535](#)
 Overview [rast 5 connector system](#)
 Product Name [RAST 5](#)

Physical

Breakaway [No](#)
 Circuits (maximum) [2](#)
 Color - Resin [Natural \(White\)](#)
 Gender [Female](#)
 Glow-Wire Compliant [No](#)
 Material - Resin [Nylon](#)
 Number of Rows [1](#)
 Packaging Type [Bag](#)
 Panel Mount [No](#)
 Pitch - Mating Interface (in) [0.197 In](#)
 Pitch - Mating Interface (mm) [5.00 mm](#)
 Pitch - Term. Interface (in) [0.197 In](#)
 Pitch - Term. Interface (mm) [5.00 mm](#)
 Polarized to Mating Part [Yes](#)
 Ports [1](#)
 Stackable [No](#)
 Temperature Range - Operating [-40°C to +105°C](#)

Material Info

Reference - Drawing Numbers

Product Specification [PS-94518-006](#)
 Sales Drawing [SD-94535-009](#)

EU RoHS

**ELV and RoHS
Compliant**
**REACH SVHC
Contains SVHC: No**
**Halogen-Free
Status**

China RoHS



Not Halogen-Free

**Need more information on product
environmental compliance?**

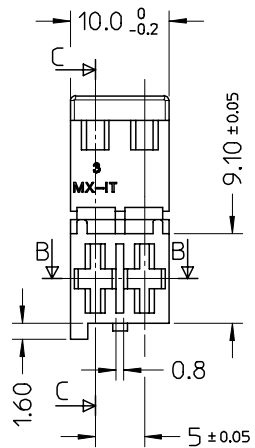
Email productcompliance@molex.com
 For a multiple part number RoHS Certificate of
 Compliance, [click here](#)

Please visit the [Contact Us](#) section for any
 non-product compliance questions.

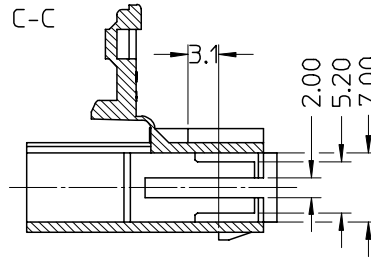
Search Parts in this Series

[94535Series](#)

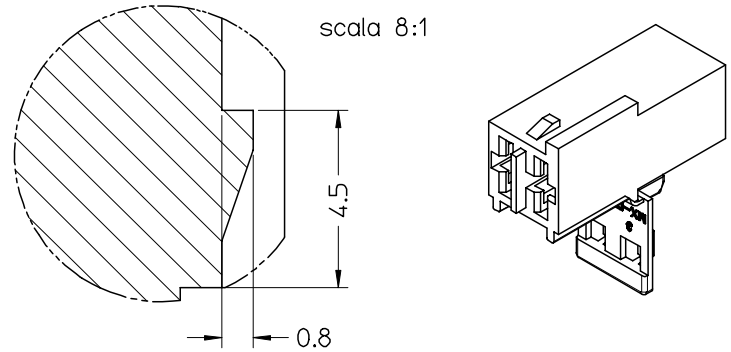
10 9 8 7 6 5 4 3 2 1



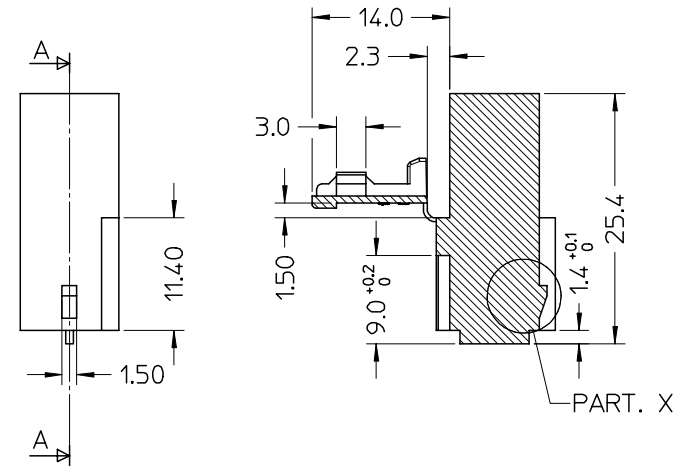
SEZ. C-C



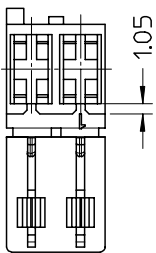
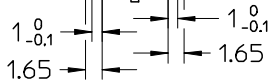
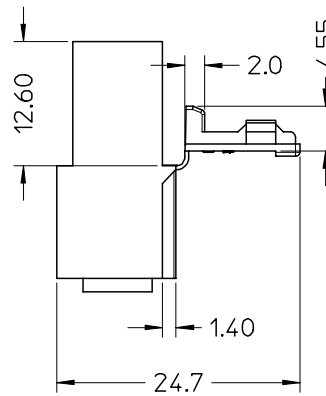
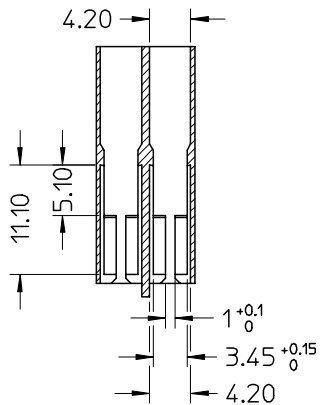
PART. X
scala 8:1



SEZ. A-A



SEZ. B-B



P/N	MATERIAL/COLOR
94535-7002	NYLON 6.6 V2 NATURAL
94535-4002	NYLON 6.6 GWT 750 °C secIEC 60335-1 TEST METHOD IEC 60695-2-11 NATURAL

CONFEZIONE: BOX DA 4000 PZ.
PACKAGING: 4000 PCS IN CARTON BOX

SPQ = 4000 PZ.

Std. Descr.: 'FEM HOUSING W/SEC LOCK 2 CKT

ENTER DESCRIPTION EC NO: Z2006-0187 DRWN:FGOTTARDO 2006/05/08 CHKD:RSANDANO 2006/05/09 APPR:GZUIN 2006/05/15	QUALITY SYMBOLS ▽=0 ▽C=0	GENERAL TOLERANCES (UNLESS SPECIFIED)		DIMENSION STYLE MM ONLY		SCALE	DESIGN UNITS	FIRST ANGLE PROJECTION	
		mm	INCH	DRAWN BY	DATE	4:1	METRIC	TITLE	
DESCRIPTION REV	4 PLACES	± ---	± ---	FGOTTARDO	2002/06/27	TITLE HSG 2 CKT WITH SEC.LOCK AND EXTERNAL LATCH	MOLEX INCORPORATED	SD-94535-009	
	3 PLACES	± ---	± ---	CHECKED BY	DATE				
	2 PLACES	± 0.1	± ---	MTESTAGUZZA	2002/06/27				
	1 PLACE	± 0.2	± ---	APPROVED BY	DATE				
		ANGULAR ± 2 °		GZUIN	2002/06/27	DOCUMENT NO.		SHEET NO.	
DRAFT WHERE APPLICABLE MUST REMAIN WITHIN DIMENSIONS		VEDI TABELLA		SD-94535-009		1 OF 1			
THIS DRAWING CONTAINS INFORMATION THAT IS PROPRIETARY TO MOLEX INCORPORATED AND SHOULD NOT BE USED WITHOUT WRITTEN PERMISSION									

9 8 7 6 5 4 3 2 1