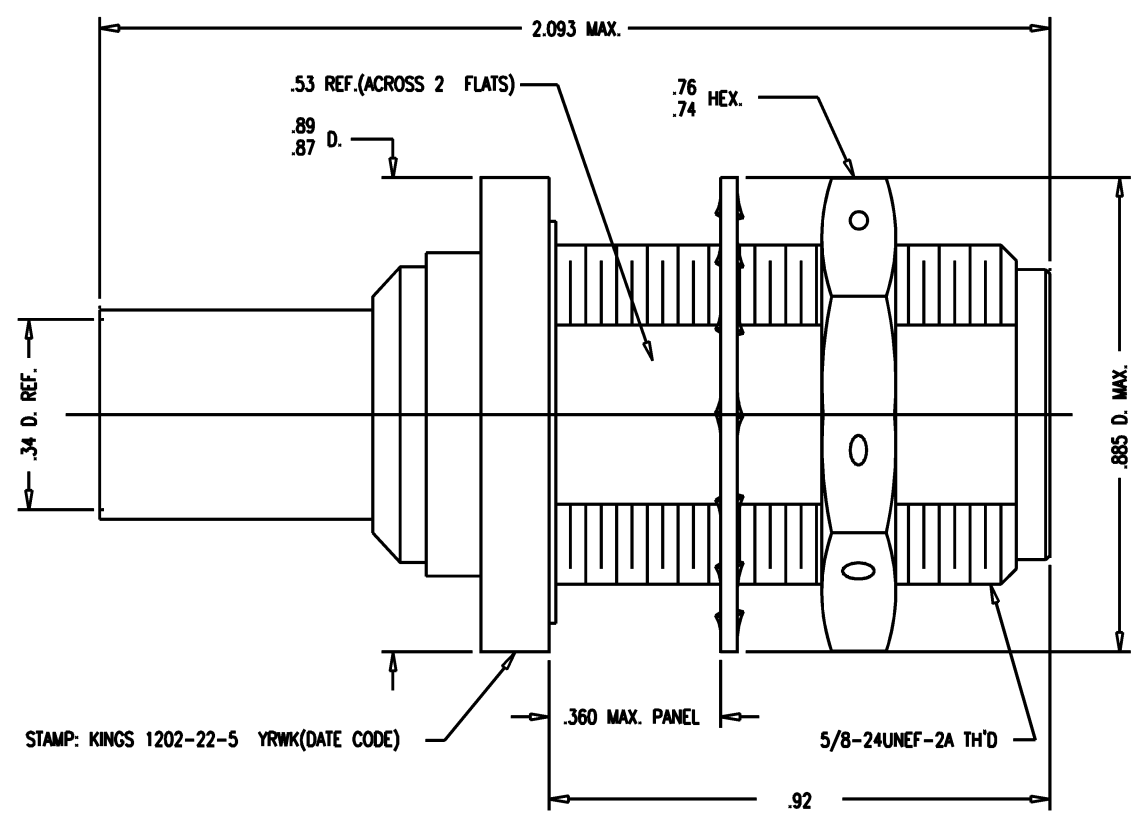


DASH NO. M CODE MADE FROM

GSD

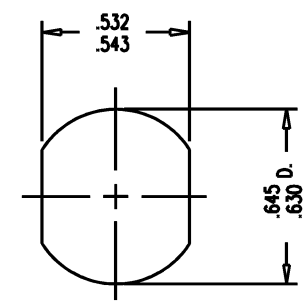


1202-22-5

REVISIONS	
ISSUE	CHANGES
0	ER 36811 KH 02/08/96
1	CN 36827 C MJB 04/15/96
2	CN 38710 C DCT 6/23/3
3	CN 39600 E DRK 08/30/06
4	CN 39899 E DRK 04/23/07

- NOTES:
- FOR USE WITH DOUGLAS D2348-1 CABLE.
 - FOR CABLING INSTRUCTIONS SEE CP-5402.
 - FOR CRIMPING USE DIE KTH-2012.
 - INTERFACE PER MIL-STD-348, FIG. 304-2.
 - CENTER CONTACT (1-534-7M9D) SUPPLIED UNASSEMBLED.
 - MARK PACKAGE: KINGS 1202-22-5 YRWK (DATE CODE)
DOUGLAS 500489-1
 - MATERIALS:
INSULATOR-TEFLON, ASTM-D-4894
LOCKWASHER-PHOS. BRONZE, ASTM-B-103
CENTER CONTACT-BER. COP., ASTM-B-196
K-GRIP SLEEVE-COM. BRONZE, ASTM-B-140
GASKET-SILICONE RUBBER, ZZ-R-765
ALL OTHER METAL PARTS-BRASS, ASTM-B16
 - FINISHES:
CENTER CONTACT-GOLD PLATE PER MIL-G-45204
ALL OTHER METAL PARTS-SILVER PLATE PER QQ-S-365

- ELECTRIAL CHARACTERISTICS:
NOMINAL IMPEDANCE-50 OHMS
FREQUENCY RANGE-DC TO 11 GHZ
WORKING VOLTAGE-1000 VRMS
VSWR: 1.30 MAX. .5-11 GHZ.
INSERTION LOSS: .15 dB MAX. AT 9 GHZ.
- WEIGHT: .088 lbs (40 GRAMS).



GSD

SCALE	4:1	
APPROX SURFACE AREA		
WAS:	E-19116	
USED ON		
REF:	McD. D. AIRCRAFT # 500489-1 REV. A	
JACK, BULKHEAD, N		
DRAWN	KH	DATE 02/08/96
DESIGN	CT	DATE 02/09/96
APPR.		DATE

ROCK HILL, SOUTH CAROLINA 29730

1202-22-5