

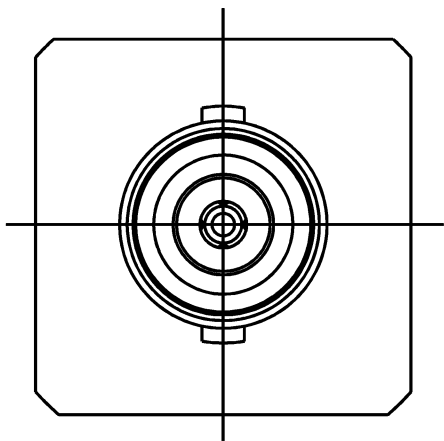
DASH NO.	M CODE	MADE FROM
----------	--------	-----------

GSD

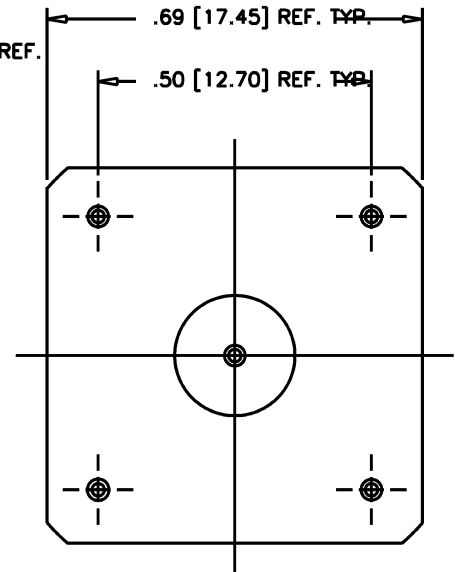
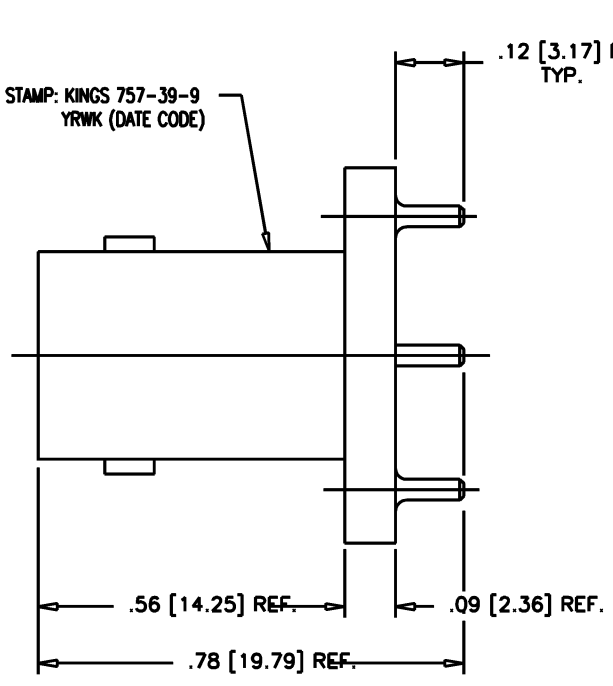
757-39-9

REVISIONS

ISSUE	CHANGES
0	ER 39612 JPK 09/07/06



STAMP: KINGS 757-39-9
YRWK (DATE CODE)



757-39-9SD

NOTES:

1. INTERFACE PER MIL-STD-348, FIG. 301-2.
2. MATERIALS:
INSULATOR: TEFLON, ASTM-D-4894
CENTER CONTACT: BER. COP., ASTM-B-196
BODY: ZINC (ZAMAK #3)
ALL OTHER METAL PARTS: BRASS, ASTM-B16
3. FINISHES:
CENTER CONTACT: SILVER PLATE PER ASTM-B700
ALL METAL PARTS: PLATED KINGS TR-5
4. ELECTRICAL CHARACTERISTICS:
NOMINAL IMPEDANCE: 50 OHMS
FREQUENCY RANGE: DC TO 4 GHZ
WORKING VOLTAGE: 500 VRMS

SCALE 4 : 1

APPROX SURFACE AREA

USED ON

REF: EQR 934 & E-20346

BNC, RECEIPT, PCB MOUNT

DRAWN J. KENNEDY DATE 09/06/06

DESIGN J. KENNEDY DATE 09/06/06

APPR. DATE



ROCK HILL, SOUTH CAROLINA 29730

GSD

757-39-9