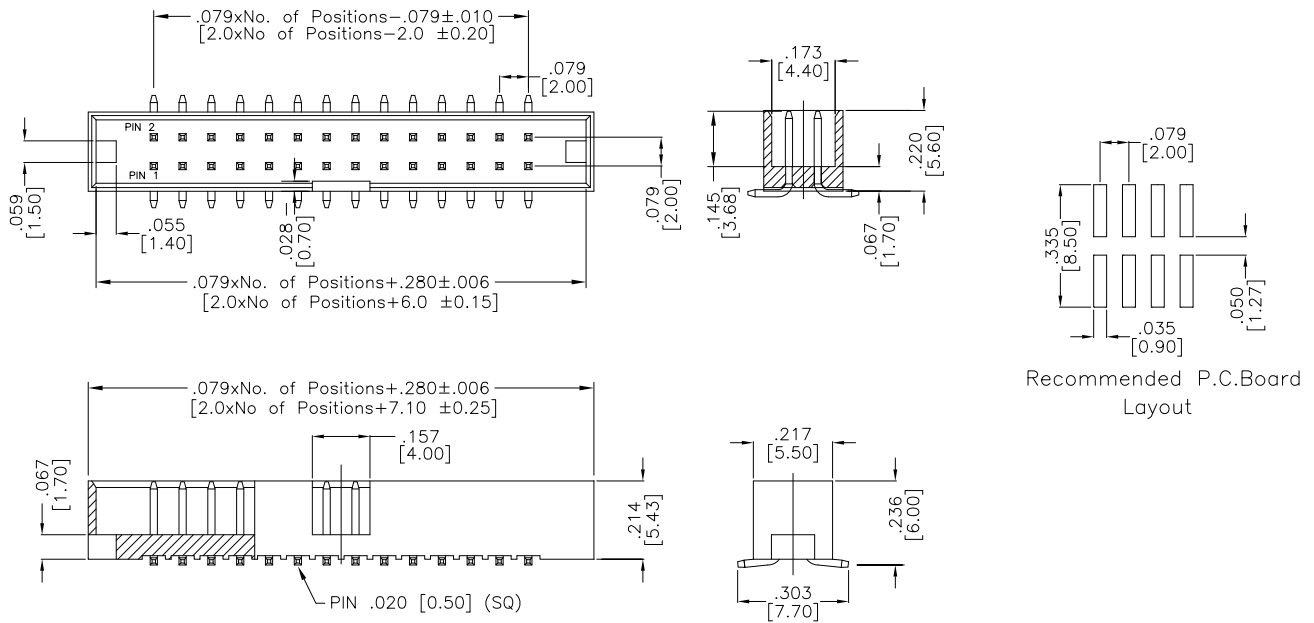


Major League Electronics .079" cl Shrouded Terminal Strip Header



Tails may be clipped to achieve desired pin length

Ordering Information

SHTSHSM-2 - D - 02 - - V - - - - LF

Pins Per Row
Only available in 05, 06, 07,
08, 10, 11, 12, 13, 15, 17, 20, 22, 25

Double

Style
02 = Surface Mount Option

Plating Options	
- 10µ Gold on Contact area/Flash on Tail	G
- 10µ Gold on Contact Area/Matte Tin on Tail	GT
- Matte Tin all Over	T
- Gold Flash Over Entire Pin	F

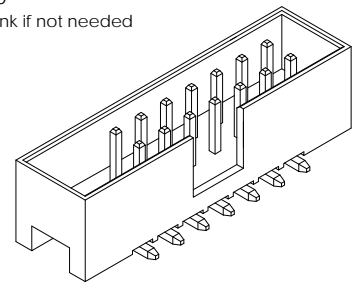
Vertical Option

Lead Free

Removable Pick and Place Option
P = With
Leave blank if not needed

Tape and Reel Option
TR = With
Leave blank if not needed

Polarized Position
001 - 050
Leave blank if not needed



Mates with:
IDS-2

Insulator	Polyester UL 94V-0 Nylon-6T	Current Rating	1 Amp
Contact	Copper Alloy	Dielectric Withstanding	500V AC/DC
Insulation Resistance	1000 MOHMS min.	Operating Temperature	-40°C to +105°C
Contact Resistance	20 mOHMS max.		

Products cut to specific sizes are uncancellable/nonreturnable

Parts are subject to change without notice

UNLESS OTHERWISE SPECIFIED
DIMENSIONS IN INCHES (MM)

TOLERANCES ARE:
ONE PLACE DECIMALS ±0.38
TWO PLACE DECIMALS ±0.25
THREE PLACE DECIMALS ±0.13

ANGLES
NO DECIMALS ±5°
ONE PLACE DECIMALS ±2°
TWO PLACE DECIMALS ±1°
THREE PLACE DECIMALS ±0.5°

SHTSHSM-2 SERIES

.079" cl Shrouded Terminal Strip Header
Surface Mount

23 APR 07

Scale
NTS



4235 Earnings Way, New Albany, Indiana, 47150, USA
1-800-782-3486 (USA/Canada/Mexico)

Tel: 812-944-7244
Fax: 812-944-7268

E-mail: mle@mlelectronics.com
Web: www.mlelectronics.com

Revision
C

Sheet
1/2

Revisions

Revision C - (30th April 2010)

Amendment to current rating from 2 to 1 amp

Revision B - (13th Mar 2008)

Correction to 'Overall Length of Plastic' formula:

.079xNo. of Positions+.236±.006 now amended to:
[2.0xNo of Positions+7.10 ±0.25]

.079xNo. of Positions+.280±.006
[2.0xNo of Positions+7.10 ±0.25]

UNLESS OTHERWISE SPECIFIED
DIMENSIONS IN INCHES (MM)

TOLERANCES ARE:
ONE PLACE DECIMALS ±0.38
TWO PLACE DECIMALS ±0.25
THREE PLACE DECIMALS ±0.13

ANGLES
NO DECIMALS ±5°
ONE PLACE DECIMALS ±2°
TWO PLACE DECIMALS ±1°
THREE PLACE DECIMALS ±0.5°

SHTSHSM-2 SERIES

.079" cl Shrouded Terminal Strip Header
Surface Mount

23 APR 07

Scale
NTS



4235 Earnings Way, New Albany, Indiana, 47150, USA
1-800-782-3486 (USA/Canada/Mexico)

Tel: 812-944-7244
Fax: 812-944-7268

E-mail: mle@mlelectronics.com
Web: www.mlelectronics.com

Revision
C

Sheet
2/2